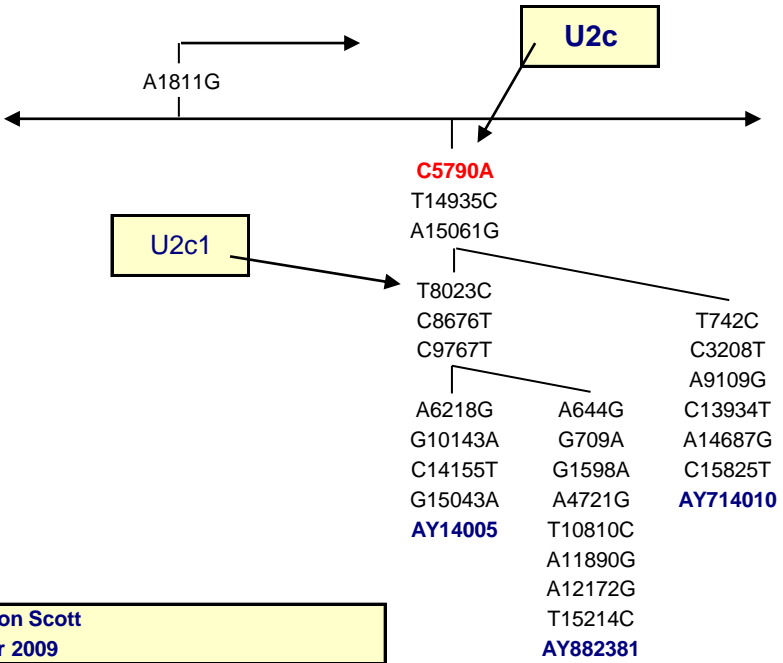


Phylogeny of mt-hg U2c



Compiled by Ron Scott
Updated - 6 Apr 2009
GenBank Accession Numbers - blue highlighted
U2c defined by rare transversion C5790A