

# Descendants of Gggf Krause

## AKA Branch-01A Krause

by

Arnold Edwin Krause

printed

31 Dec. 2021

Copyright 2021 A. E. Krause, all rights reserved.

## Preface

The ancestral lineage of this Krause line has been very difficult to determine as no records have been located that give any idea of the parentage for the immigrant descendants that came to America. The father is called Gggf Krause because he would be my Great-great-grandfather Krause. His wife was Caroline and was 60 years old according to the ship-list when she came to America in 1884. The only clue that might possibly relate to the first name of Gggf is the father of Augusta Krause, who married Gustav Schewe, was called John Carlson in the "Find a Grave" records. The Carlson is an error but the John might possibly be significant.

For anyone reading this document that is a descendant of this Krause line, this is your book and we as a group will only keep it growing by adding information not of the ancestors but of the descendants. This means that each one of us has a responsibility to add all new information for additional descendants and ensure that full names, full dates of birth/marriage/and death plus full locations of each of these events are recorded for historical purposes. Fifty to one hundred years in the future, your descendants will not know who their great-great... grand-parents were unless we as a group keep this information for future use. Just think, if someone had done this in the 1700's how easy it would be today to know who the parents and grand-parents of our immigrant ancestors were. You hold the keys!!!!

Any updates and/or corrections should be sent to the address shown below. Do not refer to a person by a page number in the book or the number associated with the person but give the full name of the person and their birth date as that is what is used to find the person in the genealogy database so that additions and/or corrections can be made. As corrections and additions are added then a new version of the eBook will be published with the date of printing shown on the front page so you know if the eBook is the latest version.

I would like to thank all people who have knowingly or unknowingly given their information that provides the information in this document.

Send all updates and corrections to:

A. E. Krause  
1611 Arlington Ave.,  
Saskatoon, Sask, Canada  
S7H 2Y6

email:  
arnie-krause@shaw.ca

# Table Of Contents

Introduction .....	1
Descendant Report for Branch-One Krause .....	2
DNA Results for Branch-1 Krause .....	7
Charts, Diagrams, & Trees .....	9
Descendant Report for Gggf Krause .....	10
Descendant Report for Wilhelmina 'Minnie' Krause .....	155
Descendant Report for Augusta M. Krause .....	173
Index .....	179

## Introduction

This introduction is actually the Preface from the eBook called Branch-01 Krause

This version of the Krause book takes into account the different family lines called Branches that are connected by a common male ancestor that has been determined by Y-Chromosome DNA testing to have lived about 500 years ago. Individual major chapters are devoted to the different Branches and sub-chapters show the different descendants of that line. This is an aid to those who may only want to print that section that is for their direct line and not all of the descendants of the earliest known ancestor(EKA)

### Branch-A

Shows the descendants of an Unknown Krause called Gggf Krause, father of Herman and John. Both Herman and the wife and children of John came to the USA in 1884 and settled in Elgin, IL. Herman moved on to Waupaca Co., WI in 1887 and John's family stayed in IL and/or MN. My grandfather, Karl Gustave William Krause also called Charlie Krause came to Saskatchewan first in 1905, return to ND, was married then came to the Parkbeg area of Saskatchewan where he had been earlier.

Other groups of Krause's that are associated with Branch-One-A has been located by using DNA testing of the Y-Chromosome of the male descendants. A 100% match for the first 20 markers has been found with a member of Branch-One-B, indicating a common Krause ancestor. That branch is now added as an additional chapter. Subsequent DNA testing of the branch previously known as Branch-Thirty-Two (now called Branch-1C) has also indicated that they are related. In the first 12 markers only one difference occurs. Additional Branches called 1D, 1E, 1F, 1G, 1H, 1I and 1J have also been added. Full information on the DNA values found for all the different branches is shown in a special chapter devoted to this purpose.

The last section is devoted to photographs from the different Branch lines.

# Descendants of Branch-One Krause

---

## Generation 1

1. **BRANCH-ONE<sup>3</sup> KRAUSE** (Branch-One-FortyNine<sup>2</sup>, Root-Krause<sup>1</sup>) was born in WPR/Poland(SW Danzig/Gdansk (Somewhere in the area of present day Poland/WPR/Pommern, SW of Gdansk). He died on Dead.

Branch-One Krause had the following child:

- +2. i. **HAPLOGROUP-I2A-F3744-POSITIVE KRAUSE** (son of Schlochau-Branches Krause). He died on Dead.

---

## Generation 2

2. **HAPLOGROUP-I2A-F3744-POSITIVE KRAUSE** (Branch-One<sup>3</sup>, Schlochau-Branches). He died on Dead.

Notes for Haplogroup-I2a-F3744-Positive Krause:

NOTE:: All of these different Branches are related as determined by Y-Chromosome DNA testing. The different branches shown as the Letters A, B, C... xx are being shown as adopted as the actual connection to the Root is unknown. The branches are however DNA-Cousins.

Branch-One-A is the group that came from Friedrichshof, Schlochau, Germany to Illinois then MN. Herman Krause from Maursien, Schlochau, WPR was in IL for 3 years then went to Waupaca Co., WI.

One member of this branch(Charlie/Carl s/o John) then went to Parkbeg/Mortlach Sask. Canada.

Branch-One-B came from Kreis Rummelsburg which is located north of Kreis Schlochau. DNA tests done on a descendant of this line matches the first 20 markers exactly with DNA of a descendant of Branch-One-A. This indicates a common ancestor to these two branches.

Branch-One-C came from Kr. Schlochau and DNA results from a 12-Marker test show only one change in the second marker. However, when tests for 13-37 Markers were done there were four additional changes. This indicates that this branch is also from a common ancestor to A & B.

Branch-One-D came from Poland and DNA results from a 12-Marker test show identical results as those for A & B.

Branch-One-E is from Marienhof, Kr. Schlochau, WPR, Germany(Ferdinand) to Minnisota, USA. A brother of Ferdinand, Carl Gottlieb Krause from ..... WPR, went to Berrien Co., Michigan.

Branch-One-F is from Schubin, Posen, Prussia to Wilton Twp., Waseca Co., MN

Branch-One-G is from Gramenz, Kreis Neustettin, Pommern, Prussia to Waupace Co., WI

Branch-One-H is from Neuendorf, Kr. Karthaus, WPR, they came to Philadelphia, PA. So far the Y-Chromosome testing is that done by Ancestry.com but the match is very close to that of Branch-One-A1. The total number of matches are 39/43, with a genetic distance of 4.

Branch-One-I (previously shown as Branch eight) is from Waltersdorf, Kr. Schlochau, Prussia. to Waseca Co., MN, USA.

Branch-One-J is from West Prussia and came to The USA in 1866 and settled in Manistee Co., MI. Location in WPR is unknown at the present time but according to their DNA profile, they are very close to Branch-One-A, only one mutation from 1-A.

A complete DNA profile and the locations where these Krause families originated is shown on the Y Results tab at the <http://www.familyreedna.com/public/Kraus/default.aspx?section=ycolored> Kraus/Krause Surname DNA Project. Haplogroup I is shown with the YELLOW bar. The results are shown between the yellow bar and those of Branch-J.

---

## Descendants of Branch-One Krause

---

### Generation 2 (cont.)

The small red balloons on the map show the location in present day Poland where this Krause branch originated.

A Google map of this area with bookmarks at the locations where the different branches came from is available at <http://freepages.genealogy.rootsweb.com/~aek740/Br-01-Map.jpg>

</a>Google Map</a>

Additional Information:

The following link shows a section of a map (GrosBlatt 40 Neustettin - Flatow) and GrosBlatt 41 where the two maps join.

<https://freepages.rootsweb.com/~aek740/genealogy/Schlochau.jpg> Map section showing where Branch-One-A </a> was from in West Prussia. The small circular dots with 518 is for the descendants of Johann Krause and 517 for Herman Krause. The other dots are for different Krause families who have proven to be DNA-cousins after 37-Marker Y-Chromosome tests were done on living male descendants of their lines.

Another link with several other maps that show where the <a

<https://freepages.rootsweb.com/~aek740/genealogy/B01-Krause.htm>> Branch-One Krause Roots </a> came from in West Prussia may further aid those who are having difficulty in finding this area. Just click on the icon on the right side to view the map or document. The maps included in this summary include the one in the link shown above.

The number of generations from this common Ancestor to the first known ancestry of each Branch is unknown and it should not be construed that the different line are brothers or cousins. Autosomal DNA test were done on Branches, A, B, C, E, F, G, and I and the results showed no common connection within 7-generations of the person tested. These tests were done at FTDNA using what is known as the Family Finder test. If multiple persons within the same Branch were tested then the proper relationships were shown.

Big-Y DNA test results show that the common Ancestor lived approx. 300-400 years ago. Tests have been completed on Branch 1-A and 1-B.

The split from the Isles group is about 50 mutations or about 7000 years ago. Results from the Big-Y 500 and Big-Y 700 are what have shown this very important information.

Haplogroup-I2a-F3744-Positive Krause had the following children:

- +3. i. BRANCH-ONE-A KRAUSE (adopted son of Haplogroup-I2a-F3744-Positive Krause) was born in Kr. Schlochau, WPR. He died on Dead in SK and WI (WPR> IL/MN).
  - +4. ii. BRANCH-ONE-B KRAUSE (adopted son of Haplogroup-I2a-F3744-Positive Krause) was born in Kr. Rummelsburg, Pommern. He died on Dead in MI (Germany).
  - +5. iii. BRANCH-ONE-C KRAUSE (adopted son of Haplogroup-I2a-F3744-Positive Krause) was born in Friedland, Kr. Schlochau, WPR. He died on Dead in WPR>MN.
  - +6. iv. BRANCH-ONE-D KRAUSE (adopted son of Haplogroup-I2a-F3744-Positive Krause) was born in Poland. He died on Dead in Poland>USA.
  - +7. v. BRANCH-ONE-E KRAUSE (adopted son of Haplogroup-I2a-F3744-Positive Krause) was born in Kr. Schlochau, WPR. He died on Dead in WPR>MI, MN.
  - +8. vi. BRANCH-ONE-F KRAUSE (adopted son of Haplogroup-I2a-F3744-Positive Krause) was born in Schubin, Posen, Prussia. He died on Dead in Posen>WI>MN.
  - +9. vii. BRANCH-ONE-G KRAUSE (adopted son of Haplogroup-I2a-F3744-Positive Krause) was born in Gramenz, Kreis Neustettin, Pommern, Prussia. He died on Dead in Pommern>WI.
  - +10. viii. BRANCH-ONE-H KRAUSE (adopted son of Haplogroup-I2a-F3744-Positive Krause) was born in Neuendorf, Kr. Karthaus, WPR. He died on Dead in WPR> PA.
  - +11. ix. BRANCH-ONE-I KRAUSE (adopted son of Haplogroup-I2a-F3744-Positive Krause) was born in Waltersdorf, Kr. Schlochau, WPR. He died on Dead in WPR>Waseca
-

---

## Descendants of Branch-One Krause

---

### Generation 2 (cont.)

- Co., MN.
- +12. x. **BRANCH-ONE-J KRAUSE** (adopted son of Haplogroup-I2a-F3744-Positive Krause) was born in West Prussia. He died on Dead in WPR>Manistee Co., MI.
- 

### Generation 3

3. **BRANCH-ONE-A KRAUSE** (Haplogroup-I2a-F3744-Positive, Branch-One<sup>3</sup>, Haplogroup-I2a-F3744-Positive, Schlochau-Branches) was born in Kr. Schlochau, WPR. He died on Dead in SK and WI (WPR> IL/MN).

Branch-One-A Krause had the following child:

13. i. ?-A KRAUSE (son of Branch-One-A Krause). He died on Dead.
4. **BRANCH-ONE-B KRAUSE** (Haplogroup-I2a-F3744-Positive, Branch-One<sup>3</sup>, Haplogroup-I2a-F3744-Positive, Schlochau-Branches) was born in Kr. Rummelsburg, Pommern. He died on Dead in MI (Germany).

Notes for Branch-One-B Krause:

An email received from Daniel Frederick Krause on 17 May 2005 stated the following for the time that Branch-One-B Krause had been in Kr. Rummelsburg:

"Inge Krause Douthitt had mentioned about 300 years that she knew of for sure. She said the farm/land had been in the family that long. I believe they were in the area much longer before becoming landowners, but have nothing to prove it yet. So probably 300 years is a better number for now. One of my deceased relatives mentioned the 600 year figure, but when she died, her husband tossed all her genealogy records, pictures, history... everything. He didn't see the value in keeping it, and we didn't get to him in time.

This is why I am trying to find land records, census,tax records, whatever from that area that would show land ownership or at least they were major farmers under whatever noble was in charge."

Branch-One-B Krause had the following child:

14. i. ?-B KRAUSE (son of Branch-One-B Krause). He died on Dead.
5. **BRANCH-ONE-C KRAUSE** (Haplogroup-I2a-F3744-Positive, Branch-One<sup>3</sup>, Haplogroup-I2a-F3744-Positive, Schlochau-Branches) was born in Friedland, Kr. Schlochau, WPR. He died on Dead in WPR>MN.

Notes for Branch-One-C Krause:

See note and links to DNA results & maps as to where the different Branch-One Krause lines came from. Go to the top of this line called Branch-One Krause.

Branch-Thirty-One and Branch-Thirty-Two(now called Branch-One-C) were combined at one time but this was found to be in error and only based on speculation.

DNA tests done on two different males has shown that this combination of branches 31 and 32 is wrong and they have been split again into Branches 31 and 32, respectively.

This branch of the Krause line is from Friedland, Kr. Schlochau, WPR. This city is only 12 miles south of the area of Friedrichshof and Mauersin where the Branch-One Krause line was from when they left for North America.

Herman Krause from Branch-One moved from IL to the same area of WI where this branch was located. This may be a clue that Branch-One and Branch-Thirty-Two are part of the same Branch. Subsequent DNA analysis has shown that Branch-Thirtytwo has 30/37 DNA values the same as Branch-one indicating a common male ancestor in the distant past.

Branch-One-C Krause had the following child:

---



## Descendants of Branch-One Krause

---

### Generation 3 (cont.)

15. i. ?-32-C KRAUSE (son of Branch-One-C Krause). He died on Dead.
6. **BRANCH-ONE-D KRAUSE** (Haplogroup-I2a-F3744-Positive, Branch-One<sup>3</sup>, Haplogroup-I2a-F3744-Positive, Schlochau-Branches) was born in Poland. He died on Dead in Poland>USA.

Branch-One-D Krause had the following child:

16. i. ?-49-D KRAUSE (son of Branch-One-D Krause). He died on Dead.
7. **BRANCH-ONE-E KRAUSE** (Haplogroup-I2a-F3744-Positive, Branch-One<sup>3</sup>, Haplogroup-I2a-F3744-Positive, Schlochau-Branches) was born in Kr. Schlochau, WPR. He died on Dead in WPR>MI, MN.

Notes for Branch-One-E Krause:

Branch Twentythree(now called Br-1E) is the group from Marienhof, Kr. Schlochau, WPR, Germany(Ferdinand) to Minnisota, USA. A brother of Ferdinand, Carl Gottlieb Krause from .....

WPR, went to Berrien Co., Michigan. The Marienhof location is about a mile away from Friedrichshof where Branch-One-A was from. Y-Chromosome DNA testing has shown that this branch is part of Branch-One

Branch-One-E Krause had the following child:

17. i. ?-23-E KRAUSE (son of Branch-One-E Krause). He died on Dead.
8. **BRANCH-ONE-F KRAUSE** (Haplogroup-I2a-F3744-Positive, Branch-One<sup>3</sup>, Haplogroup-I2a-F3744-Positive, Schlochau-Branches) was born in Schubin, Posen, Prussia. He died on Dead in Posen>WI>MN.

Notes for Branch-One-F Krause:

This Branch is from Schubin, Posen, Prussia to Wilton Twp., Waseca Co., MN Y-Chromosome match with Branch-One-A is 11/12, 23/25, and 31/37

Branch-One-F Krause had the following child:

18. i. ?-F-G7 KRAUSE (son of Branch-One-F Krause). He died on Dead.

Notes for ?-F-g7 Krause:

The Family Finder results that show Paul Krause as a 5th cousin of Fred Babian would have this sort of lineage if the Johanna was a Krause. This is only an assumption for now and may change as more information is obtained to determine the correct lineage of the lines.

9. **BRANCH-ONE-G KRAUSE** (Haplogroup-I2a-F3744-Positive, Branch-One<sup>3</sup>, Haplogroup-I2a-F3744-Positive, Schlochau-Branches) was born in Gramenz, Kreis Neustettin, Pommern, Prussia. He died on Dead in Pommern>WI.

Notes for Branch-One-G Krause:

This Branch is from Gramenz, Kreis Neustettin, Pommern, Prussia to Waupace Co., WI Y-Chromosome match with Branch-One-A is 12/12, 25/25, and 35/37

Two members of this line have now been tested and the results are identical, 37/37. The two persons descend from Christian 'Ludwig' Krause who is the son of the earliest known ancestor on this line so it is safe to say that the mutations are all prior to Christian 'Ludwig' Krause, b 1830.

Branch-One-G Krause had the following child:

19. i. ?-G KRAUSE (son of Branch-One-G Krause). He died on Dead.
10. **BRANCH-ONE-H KRAUSE** (Haplogroup-I2a-F3744-Positive, Branch-One<sup>3</sup>, Haplogroup-I2a-F3744-Positive, Schlochau-Branches) was born in Neuendorf, Kr. Karthaus, WPR. He died on Dead in WPR> PA.

Notes for Branch-One-H Krause:

Additional information is shown at the following link to <a

## Descendants of Branch-One Krause

### Generation 3 (cont.)

[href="https://freepages.rootsweb.com/~aek740/genealogy/Shaw-Arnie/krause\\_klan\\_reunion.htm"](https://freepages.rootsweb.com/~aek740/genealogy/Shaw-Arnie/krause_klan_reunion.htm)  
Krause Klan Reunion #1 </a>, at Iola, WI, 25-26 Aug. 2007.

NOTE:: This branch was discovered after the 2007 Reunion

Ancestry.com show that Christopher Bruce Krause and Arnold Edwin Krause have a common Ancestor 19 generation back in time. The genetic distance between these two is 4 and it appears that Ancestry.com use the commonly accepted value of a mutation every 500 years which would make the common ancestor 600-2000 years ago or 475 years based on 25 yrs/generation. It is false to use this type of calculation as some family lines have more mutations than others. To see an example of this, go to the following link for the Corning line and then go to page 2.

The following link is for this family in my database at World Connect. <a href="http://wc.rootsweb.ancestry.com/cgi-bin/igm.cgi?op=GET&db=aek740a&id=I000038">Samuel I Corning, II family. </a>

This is the link for the DNA profiles found for this Corning family: <a href="https://freepages.rootsweb.com/~aek740/genealogy/Shaw-Arnie/Docs/CORNING-DNA.pdf">Corning Mutations. </a> Samuel Corning, II, 1641-1713, had 3 sons that have had descendants tested, a fourth son did not have any descendants that could be found. Two of the sons have very stable lines with little or no mutations. An example is James Herbert Corning and Charles Howard Corning who have exact 37/37 profiles. These two men descend from John Corning, 1675-1732, and Joseph Corning, 1679-1723. However, the third son, Samuel Corning, III, shows either three or four mutation to the person tested. This line has very unstable DNA compared to the other two sons that show either zero or one mutation to the person tested. A careful controlled testing has yielded these very interesting results and show that using the time of a Mutation being on average every 500 years must be used with extreme caution.

Branch-One-H Krause had the following child:

20. i. ?-H KRAUSE (son of Branch-One-H Krause). He died on Dead.

11. **BRANCH-ONE-I KRAUSE** (Haplogroup-I2a-F3744-Positive, Branch-One<sup>3</sup>, Haplogroup-I2a-F3744-Positive, Schlochau-Branches) was born in Waltersdorf, Kr. Schlochau, WPR. He died on Dead in WPR>Waseca Co., MN.

Notes for Branch-One-I Krause:

Branch-One-I (previously shown as Branch eight) is from Waltersdorf, Kr. Schlochau, Prussia. to Waseca Co., MN, USA.

The close proximity of this branch to Branch-One, Branch-Twentythree, and Branch-Thirty-Two makes it a high probability that these branches might be related. These branches are within 10-15 miles from each other in Kreis Schlochau, West Prussia. Y-Chromosome testing has proven that these branches are DNA-cousins.

Branch-One-I Krause had the following child:

21. i. ?-I KRAUSE (son of Branch-One-I Krause). He died on Dead.

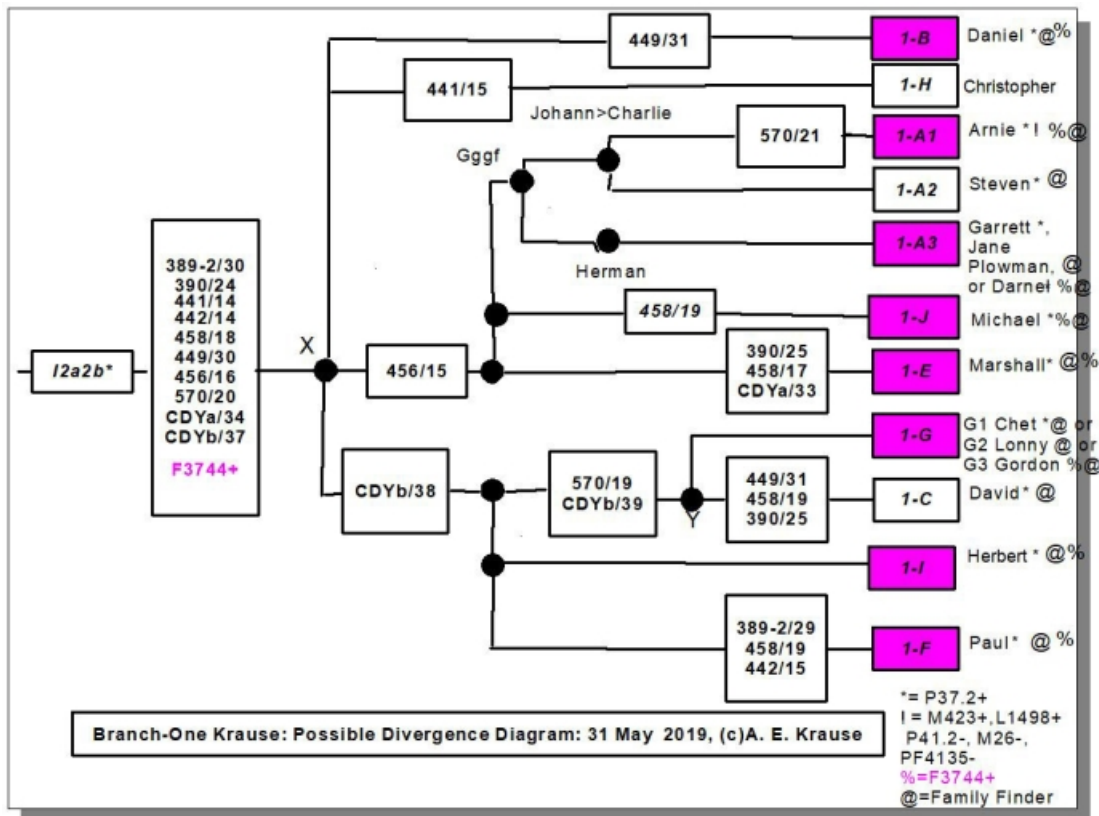
12. **BRANCH-ONE-J KRAUSE** (Haplogroup-I2a-F3744-Positive, Branch-One<sup>3</sup>, Haplogroup-I2a-F3744-Positive, Schlochau-Branches) was born in West Prussia. He died on Dead in WPR>Manistee Co., MI.

Branch-One-J Krause had the following child:

22. i. ?-1-J KRAUSE (son of Branch-One-J Krause). He died on Dead. He married ? ???.

Prepared By:

Preparer:	Arnold Edwin Krause	Address:	1611 Arlington Ave
Phone:	306 374 3348		Saskatoon, Saskatchewan S7H2Y6
Email:	arnie-krause@shaw.ca		Canada



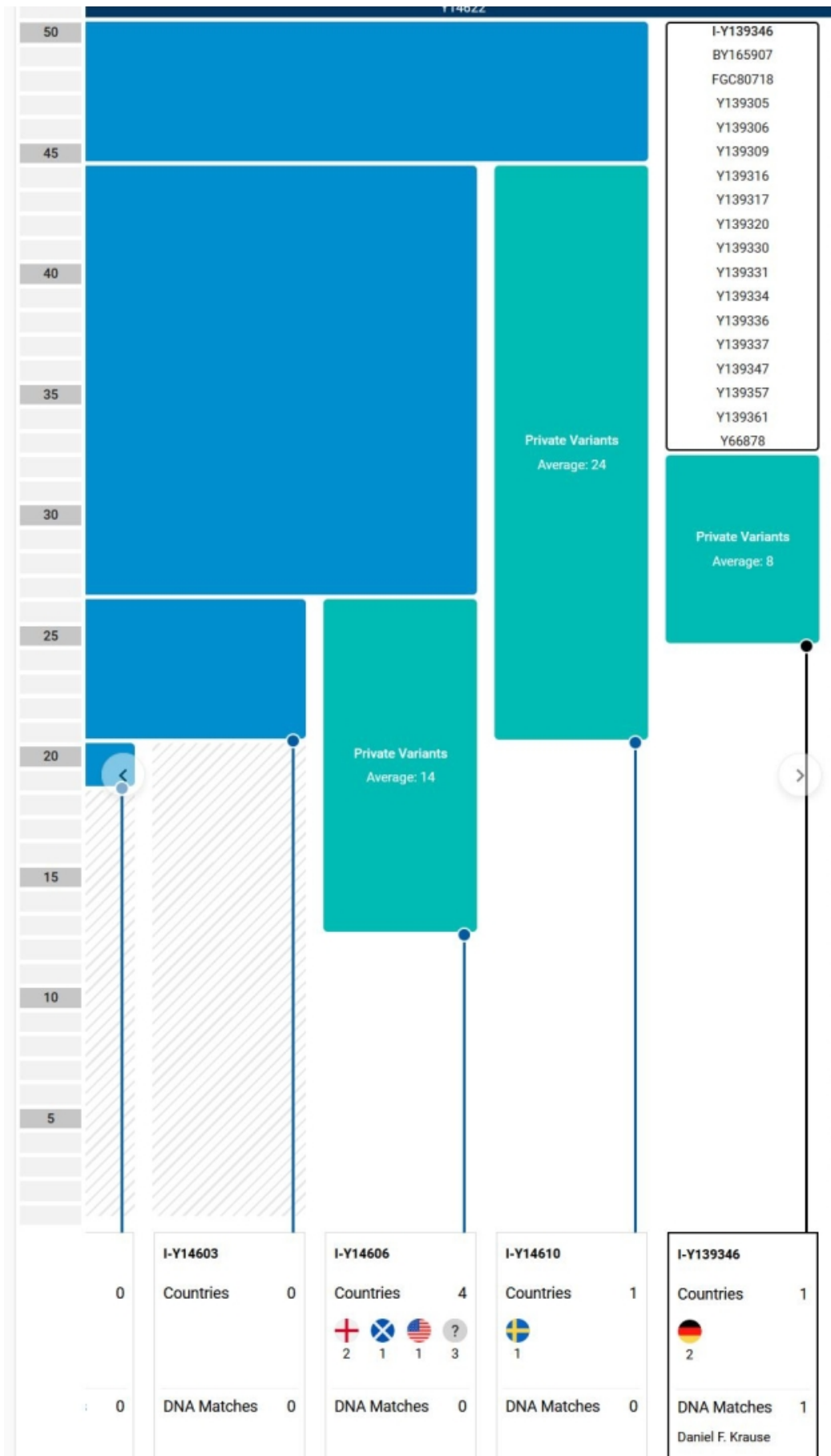
The point shown as "X" on the diagram is the time that Branch-01B and 01H spit from Branches 01A, 01E, and 01J. Results of the Big-Y 500 test on a member from 01A and 01B show that 01B has two mutations and 01A has 3 mutations during the time since the split. This gives a time range of 289-433 years (the average time/mutation is 144.41 yrs.)

The time at which Branch-01C, 01G, 01I, and 01J split is unknown because nobody from any of these groups has stepped forward and been tested for the Big-Y test.

The member from Branch-01A has had the Big-Y 700 upgrade test and the number of private values has gone from 5 with the Big-Y-500 to a total of 30 with the Big-Y-700 for only one member. To determine how many of these mutations are shared by another member an additional person called 01A1.1, my son, is having the Big-Y 700 test. This will make all the mutations from point "X" to myself, 01A public information. If there are any private mutations they will be those of my son and not me. As soon as these results are known by mid 2021 then the Big-Y Block tree on the next page will show the full detail of the number of mutations since our Branch-01 Krause line split from the people in the British Isles, called the Isles Group. The diagram on the next page shows this split happened 50 mutations ago which is about 7,200 years ago.

When there were only three different Branches involved with Y-Chromosome DNA testing back in 2005, the genographic people approached our group to see if anyone would have additional tests, I was the guinea pig that stepped forward and have had a total of eight additional tests and the results each time kept our group following the I2a Isles group. I also had the Geno 1.0 and Geno 2.0 tests that were done for the Genographic Society. The Geno 2.0 test was the first one to show that I has a special mutation called F3744. All this in the diagram shown above that have been tested and proven to have F3744+ results are shown with a magenta background. The Big-Y Block tree doesn't show this mutation but it should be shown in the white box as it is unique to our group that split. Where it should be located in the list of values is unknown but we know it existed for point "X", our common male ancestor.





---

# Descendants of Gggf Krause

---

## Generation 1

1. **Gggf<sup>5</sup> KRAUSE** (?-A<sup>4</sup>, Branch-One-A<sup>3</sup>, Haplogroup-I2a-F3744-Positive<sup>2</sup>, Schlochau-Branches<sup>1</sup>) was born between 1790-1820 in Germany. He died between 1860-September 1884 in Germany (WPR). He married Caroline "Karoline ????" ??? before 1840 in Prussia (Germany). She was born between 1823-1824 in Germany. She died after 1884 in USA ???.

Notes for Gggf Krause:

\*\*\*\*\* The section shown between the "" marks is a link to a series of maps that show where Branch-One Krause were from:

"<https://freepages.rootsweb.com/~aek740/genealogy/B01-Krause.htm>" \*\*\*\*\*

To use the link in WC just hi-light the section between the "" marks then right click your mouse and select "Open in a new Window/Screen"

This work-around is caused by the fact that WC will not allow links to appear in my database but they use links which have the same probability of malware or virus as mine. My links are as safe to use as the WC ones and will not cause you to get a virus or malware.(AEK 17 Mar 2020)

Origin of the Krause Surname. While visiting Germany, my daughter while in a small shop, noticed an item shown in the following link that caught her eye. When the shop owner was asked what the item was for, he produced a sprig of <a

href="https://freepages.genealogy.rootsweb.ancestry.com/~aek740/Krause%20Petersilie.jpg">Curly Parsley </a>that showed the purpose of the garden marker.

See note and links to DNA results & maps as to where the different Branch-One Krause lines came from as shown below. More detail is shown at the following link to <a

href="https://freepages.genealogy.rootsweb.ancestry.com/~aek740/Shaw-Arnie/krause\_klan\_reunion.htm"> Krause Klan Reunion #1 </a>, at Iola, WI, 25-26 Aug. 2007.

The first name of Gggf is ONLY a pseudo-name as he is my Great-great-Grandfather. Anyone using this name must be aware of this and not just copy blindly thinking that this is an actual name. Anyone who has information on the name or parents of this person is asked to contact me with what source or proof they have and not just blindly make connections based on wild assumptions as I see many doing. Lets see some Y-Chromosome DNA proof that shows at least that the family being attached belongs to the same Haplogroup as those that have been tested!!!!!!! The Haplogroup is very unique as it is the I-Haplogroup and very close to the people of the British Isles(I-S2742, F3744+) . You can view the results of the DNA testing on this Krause group by going to the following link: <a

href="https://freepages.genealogy.rootsweb.ancestry.com/~aek740/Shaw-Arnie/Docs/POSDIV02.pdf"> Br-01 Krause DNA testing. </a>

If you are a male with the surname of Krause and have not had a 37-Marker Y-Chromosome DNA test then you are advised to go to the following link and click "Join" and order a test. <a href="https://www.familytreedna.com/groups/kraus/about/background"> Kraus/Krause Surname group. </a> If you would like to see the results of those already tested the click on the following link to <a href="https://www.familytreedna.com/public/Kraus?iframe=ycolored">View results of those already tested. </a>

I have a Krause Certificate from the Hall of Names that states the following "We have traced the notable surname of Krause to Bohemia, now part of Czechoslovakia, which was initially a Celtic region that was conquered and settled by the Markomannen from the river Main territory. They eventually fought against the invasion of the Roman Emperor Marcus Aurelius in the second century. They emigrated to Bavaria, and then the Czechs settled in the region in the 6th century. Following the spread of Christianity, Prague became the residence of a bishop, and in the 10th century the ruling dukes became "Reichsfuersten" -- Princes of the German Empire. In 1198 they were crowned Kings of Bohemia, as well as subjects and Electors of the Kaiser." This document also states "Bearers of the variation Krause were distinguished in the region of Pomerania, where they were land-owners as early as 1671." This document may have nothing to do with our Krause group but the fact that our Haplogroup is of type I and similiar to those in the British Isles and also that the Land ownership goes back a long ways. This is the case for Branch-1B where land

---

---

## Generation 1 (cont.)

ownership happened 250--600 years ago.

The proof for Herman and Johan/John being the sons of the person shown as Gggf Krause, was finally received on 22 Feb 2013 when the Family Finder DNA test results for the two persons who are descendants of Herman Krause were received. These results are summarized in a chart that is found at the following <a

href="https://freepages.genealogy.rootsweb.ancestry.com/~aek740/Shaw-Arnie/dna\_genealogy.htm#Family\_Finder\_Tests"> FF test results. </a> The test persons are shown as A1, A2, A3, and A4. The persons labelled as A1 and A2 are descendants of John while A3 and A4 are descendants of Herman. The data received clearly shows that John and Herman were brothers and not cousins or some other unknown relationship. Further analysis of the Family Finder DNA results between Jane (Krause) Plowman and Arnold Krause seem to indicate that Herman and John were half-siblings. Shared DNA with Jane Plowman is 205 cM for Arnold who is 3-generations from John which would make the DNA for John as 1640 cM which is 2/3 of what it should be if Herman and John were full brothers. Another example is that of Steven Krause compared to Darnel Krause. The Shared DNA is 106.19 cM. Steven is 4-generations from John which would make the DNA for John as 1700 cM. This value is a bit low of what it should be for full-siblings which indicates that John and Herman may be half-siblings, same father, different mother or just a low value for full-siblings. It is being assumed, for now, that John and Herman were full brothers. See the following link for more information <a

href="https://freepages.genealogy.rootsweb.ancestry.com/~aek740/family\_finder\_chromosome\_browser.htm"> See Table 1. </a>

Additional information on shared DNA is also shown in the following <a

href="https://freepages.genealogy.rootsweb.ancestry.com/~aek740/Relationship\_%20Jocelyn%20Ann%20Krause%20to%20Jane%20Ethyl%20Krause.pdf"> Kinship Chart. </a>

Another example that shows shared DNA between Steven Allen Krause and Darnel Krause. <a href="https://freepages.genealogy.rootsweb.ancestry.com/~aek740/Relationship\_%20Jocelyn%20Ann%20Krause%20to%20Darnel%20Martin%20Krause.pdf"> Second Kinship Chart. </a>

These results keep changing as new additional information is received so keep tuned for the latest info.

See Schlochau-Branches Krause at the following:

<a target="\_blank"

href="https://worldconnect.genealogy.rootsweb.com/cgi-bin/igm.cgi?op=GET&db=aek740a&id=I099631"> Krause Families in Kr. Schlochau </a>

This shows all the different branches of the Krause Surname that were from the Kreis Schlochau and might possibly be related.

A map of the Kreis Schlochau that these Branches were from is shown as photo #115 at the following URL:

<a target="\_blank"

href="https://freepages.genealogy.rootsweb.com/~aek740/unknown\_photos-Krause.htm">Map showing Schlochau-Branches Krause</a>

The following link shows Pomeranian Geography and shows where Kreis Schlochau is located in <a href="https://freepages.genealogy.rootsweb.ancestry.com/~aek740/Pomerania.jpg">

Pomerania. </a> Item #79 is Kr. Schlochau. The lower map shows where Pomerania is located relative to other areas. Pomerania is in the area where the "OS" of "OST" is shown on the map.

From: "Paul Rakow" <rakow@ifh.de>

To: "Schlochau-L" <Schlochau-L@yahoogroups.de>

Cc: "Pommern list" <pommern-l@genealogy.net>

Sent: Monday, February 20, 2006 2:16 PM

Subject: [Pom] Useful tax records for (some) Kreis Schlochau villages

The FHC have 25 films of land and tax records from the Domainenamt Schlochau. This was the office that administered royal land around Schlochau, and kept records of land transfers and taxes.

---

---

## Generation 1 (cont.)

I just looked at a few of these films to see which villages were covered, there are records from nearly 100 places (but sadly nothing from Demmin, Schoenau or Ebersfelde, the 3 villages that interest me.) Probably farmers are better covered than labourers, but it's certainly worth having a look if you had connections to any of the places listed at the end of this mail.

The films with these records are 0491205 to 0491227 and 0475860 and 0475861 (that's 25 films altogether) covering the years 1782-1849. This list of places is from film 0491218, but it looks like all the films cover more-or-less the same villages. In the FHC catalogue these films are just listed under Schlochau, so I thought that it might be useful to list the places actually covered.

-----

Ich habe neulich einige LDS Mikrofilme fuer die Domainenamt Schlochau eingesehen (Praestationstabellen und Grundbuecher). Ich habe eine Liste gemacht, mit die Ortschaften die da drin sind. Die Filme sind 0491205 bis 0491227 und 0475860 und 0475861 (25 ins gesamt), fuer die Jahre 1782-1849.

Domainenamt Schlochau,  
1 Altbraa                    2 Baerenwalde 3 Barkenfelde 4 Bindugga    5 Bischofswalde  
    6 Borsziskowo 7 Briesen (koeniglich)  
8 Briesen (adelich) 9 Buchholz    10 Christfelde 11 Conitz                    12 Klein Conitz  
    13 Czarsen    14 Damnitz  
15 Doeringsdorf    16 Alt Dzingel 17 Neu Dzingel 18 Firchau    19 Pacht Friedland  
    20 Pacht Friedland Muehle    21 Fuerstenau  
22 Funkermuehl    23 Goerzberg 24 Gostude    25 Gruenchtzen    26 Haberberg  
    27 Hammermuehl    28 Heidemuehl  
29 Heidemuehler Glashuette    30 Heinrichswalde                    31 Hennigsdorf 32 Gross  
Jenznick    33 Karpno    34 Kelpinneck 35 Klonisnica  
36 Koppelberg 37 Kramsk    38 Kupfermuehl    39 Lepczin    40 Lichtenhagen  
    41 Lubon                    42 Mauersin  
43 Gross Mellno    44 Klein Mellno 45 Modrzewski 46 Modcziel    47 Mogiel    48  
Mossin 49 Mossnitz  
50 Mueskendorf    51 Neubraa    52 Neuhof    53 Nierostaw    54 Niesewanz 55  
Oberchtzen    56 Gross Ossowo  
57 Klein Ossowo    58 Ossusnitza 59 Unter Ostrowitt    60 Parczesnica 61 Peterswalde  
    62 Pollnitz    63 Prondzonka  
64 Pruetzenwalde    65 Richnau    66 Rognitzer Muehle 67 Rosenfelde    68 Rotzollen  
    69 Rudnick    70 Schoenwerder  
71 Stadt Schlochau 72 Neu Schlochau and Kaldau    73 Sichtser Krug    74 Skorczewo /  
Sawallich 75 Szlusa    76 Sobzin  
77 Steinberg 78 Steinborn 79 Stoltmann 80 Stretzin    81 Szmoldzin 82 Upilka  
    83 Woysk  
84 Zellona    85 Amts Sen(?)

Places separated from the Amts-district

86 Klonn                    87 Konigorteck 88 Landeck    89 Gross Mrowiniec    90 Klein  
Mrowiniec 91 Neukirch 92 Niederkrug  
93 Parowa    94 Przysarz    95 Suskormuehl    96 Techenkrug

I hope this helps somebody,

Paul Rakow  
rakow@ifh.de

Notes for Caroline ???:

LDS Hamburg ship list Index film # 473084 Band 24 shows the reference to #1782, LDS film # 472923, Band 54.

Ship, Westphalia, left Hamburg, 28 Sept. 1884 for New York (28/9/84), Arrived New York, Oct. 11, 1884.



---

## Generation 1 (cont.)

The ship list for the ship, Westphalia, is from frame 217... 228. The Krause families are on frame 222 and the baby born at sea is on frame 226.

Caroline is shown as the mother of Herman. However, she may not be the mother of the other son, Johann Krause. This is being assumed until proven otherwise.

No proof has been found to indicate that Charlotte, age 60, in 1884 is the mother of Johann/John. Since these two families were together on the same ship and lived in close proximity in Kreis Schlochau, Germany (about 2 miles) and John's daughter, Caroline, born in 1873 at the same location as Hermann and his mother Caroline were from, then it has been assumed that Herman and John are sons of Caroline. Another minor indication of possible connection between Herman and John is that the first three daughters of both families are named exactly the same. More proof required[Subsequent Y-Chromosome DNA Analysis has proven that Johann and Herman are very closely related as the DNA profile for Gggf Krause has been proven by 67-Marker test of descendants of John/Johann and Herman]

See notes under Caroline (Tohm) Krause for further explanation.

NOTE!!! The following information needs to be followed up on to prove or disprove any connection to Mrs Caroline Krause mother of Herman.

What I am finding recently is that in 1884 when Herman Krause and his family and Herman's mother(Caroline) together with the family of John Krause immigrated, the shiplist indicated that their destination was Michigan but they ended up in IL(Cook Co., and Kane Co.) They were supposedly coming because there were relatives in the USA. I have never been able to locate these relatives but it looks like their destination should have been IL as that is where Wilhelmina and her family were located. What is challenging now is did Caroline ever connect with Wilhelmina and her family in Chicago?

Gggf Krause and Caroline ??? had the following children:

- +2. i. JOHANN 'JOHN'<sup>6</sup> KRAUSE SR. (son of Gggf Krause and Caroline ???) was born between 1840-1850 in Germany (WPR). He died between June 1882-September 1884 in Germany. He married Caroline Wilhelmine "Caroline Wilhelmine Thom" Tohm (daughter of Christoph Tohm and Caroline Meier) before 1868 in Germany. She was born on 19 March 1844 in Brandenburg, Germany<sup>1</sup>. She died on 16 September 1910 in Elgin, Kane Co., IL<sup>1</sup>.
- +3. ii. WILHELMINA 'MINNIE' KRAUSE (daughter of Gggf Krause and Caroline ???) was born on 01 January 1844 in Prussia. She died on 09 May 1912 in Chicago, Cook Co., IL. She married Charles 'Karl' Natzel (son of ? Natzel and Anna ???) before April 1873 in Prussia. He was born in 1846 in Prussia. He died on 21 September 1919 in Bremen Twp., Cook Co., IL.
- +4. iii. AUGUSTA M. KRAUSE (daughter of Gggf Krause and Caroline ???) was born on 06 February 1855 in from Friedrichshof, Kreis Schlochau, WPR<sup>1</sup>. She died on 08 October 1929 in Elgin, Kane Co., IL<sup>1</sup>. She married GUSTAV THEODORE SCHEWE (son of Carl Schewe and Caroline Hartwig). He was born on 31 December 1855 in from Friedrichshof, Kreis Schlochau, WPR. He died in 1913<sup>1</sup>.
- +5. iv. HERMAN MARTIN KRAUSE SR.<sup>2</sup> (son of Gggf Krause and Caroline ???) was born on 02 March 1860 in Germany (WPR<sup>2-3</sup>). He died on 19 April 1943 in Little Wolf, Waupaca Co., WI<sup>4-5</sup>. He married Christine Albertine "Martha Voss" Voss (daughter of Martin Christlieb Voss and Henrietta Koglin) in June 1880 in Kramsk, Kreis Schlochau, West Prussia, (Germany)<sup>6</sup>. She was born on 16 December 1858 in Germany<sup>7</sup>. She died on 29 November 1930 in Manawa, Waupaca Co., WI.
6. v. ? KRAUSE (child of Gggf Krause and Caroline ???) was born in 1862 in This is a garbage date. WC will not publish!!!!. ? died on Dead.

Notes for ? Krause:

These notes are for the benefit of those who like to speculate on who might be, or

---

## Generation 1 (cont.)

are, siblings of John, Wilhelmine, or Herman. If they have any information that will add to the present lack of information it would be most welcome if they would share it. Just to speculate with no proof or documentation is not genealogy research but just garbage genealogy.

With the use of DNA testing today it is possible to determine if the line that people feel are siblings to John, Wilhelmine, or Herman would just have a simple Family Finder DNA test(FF) done. We have done this with descendants of John and Herman and the results come back positive and clearly show that John and Herman were either brothers or 1/2-brothers, same father, different mother. Yes, we have the 67-Marker Y-Chromosome profile for the person called Gggf Krause and any male that people feel is a brother to John and Herman can be proven either true or false by having a similiar 37-Marker DNA test provided that a line of male descendants can be found from this sibling down to the person being tested.

The FF test is one that either male or female descendants can use and will show if a possible connection is present and the number of generations back to this connection. Lets have some proof and not just speculation.

Findings to-date have not found any recent connections within the last seven generations between any of the Branch-One Krause lines that are lettered A, B, C, E, F, G, I, or J. Branches D and H where not tested with the FF test so nothing can be said about their connection as they have not had the full 37-Marker Y-Chromosome test as well.

A new SNP test for marker F3744 has given positive results for seven(7) persons. The Branches tested were A, B, E, F, G, and I. With this coverage, it can be safely stated that all of the Krause males from the lines A, B, E, F, G, H, and I, would all show SNP F3744+. Branch C and J still need to be tested.

<a

href="https://freepages.rootsweb.com/~aek740/genealogy/Shaw-Arnie/dna\_genealogy.htm#Family\_Finder\_Tests"> Results to date for FF tests. </a>

The following information allows anyone to go to my webpages and view the documentation that was used to prove the information that I show for the earliest known records for this Krause line. First of all, you will need to go to my homepage which is located at:

"<http://freepages.rootsweb.com/~aek740/genealogy/Shaw-Arnie/>" just copy the text between the "" marks and paste it into your browser to find my homepage. When the page opens, select item #8 in the list of Topics and when that page opens, select the first item called Group 1 which shows info on my Branch-One Krause line. The items used as sources are photographs or scanned documents that are numbered as shown in the description below as (#xxx)

The documentation used to prove the place of origin and history of this Krause line is based on the following:

- 1) LDS documentation of the Marriage of Herman Krause and Christine Voss.
- 2) Book "Germans to America" gave the information on the ship and arrival dates for this Krause line. Passenger names matched list of known siblings for family of Caroline (Tohm) Krause and her children.
- 3) Departure shiplist from Hamburg, Sept 29, 1884, and arrival shiplist at New York, 11 Oct 1884.(#110), (#111)
- 4) The shiplist had a Herman Krause and his family as well as Herman's mother. My Grand-father, Carl Gustav William Krause, told me about an uncle John that moved away to another state and was never heard from again. When he was asked the name of his father, he could not remember. From the documentation on the marriage of Caroline 'Lena' Krause(sister to Carl 'Charlie' Krause), to Wm. Knichrehm(#112), it indicated her father was Johann/John so the uncle must have been Herman. Contact has been made with the descendants of Herman Krause and DNA testing has proven that Herman and Johann were brothers. Some people

---

## Generation 1 (cont.)

incorrectly show Herman as a son of Johann but that is pure speculation and has no place in Family History research. Proof is shown in the departure ship list that shows two family units, the first is Herman Krause, his wife and two children and Herman's mother, Caroline, age 60. The second unit is Caroline (Tohm) Krause, age 40, and her 6 children(#111)

5) Associated maps that have been located that show the proximity of Kramsk to the locations of Mauersin and Friedrichof where the departure shiplists indicated the Krause families were from.(#115A)

6) the only information that I had that showed the birth place of Carl 'Charles' Krause was a Border Crossing Pass that he used in 1944 when going to the USA(#116)

7) Extensive DNA testing has been done on this Krause line and the males show that they are Haplogroup-I and also have a special mutation(SNP) called F3744 which they test positive. Any connection to an ancestral family must also meet this condition or the connection is just based on speculation.

If anyone has documentation other than what I show and it substantiates your tree then please share your information with me so that all of us show the truth and not speculation on our ancestry.

---

## Generation 2

2. **JOHANN 'JOHN'<sup>6</sup> KRAUSE SR.** (Gggf<sup>5</sup>, ?-A<sup>4</sup>, Branch-One-A<sup>3</sup>, Haplogroup-I2a-F3744-Positive<sup>2</sup>, Schlochau-Branches<sup>1</sup>) was born between 1840-1850 in Germany (WPR). He died between June 1882-September 1884 in Germany. He married Caroline Wilhelmine "Caroline Wilhelmine Thom" Tohm (daughter of Christoph Tohm and Caroline Meier) before 1868 in Germany. She was born on 19 March 1844 in Brandenburg, Germany<sup>1</sup>. She died on 16 September 1910 in Elgin, Kane Co., IL<sup>1</sup>.

Notes for Johann 'John' Krause Sr.:

Some people show that this Johann Krause was born and died in Bessarabia. They must not realize that this area is over 600 miles away from the area where his family was located. Looks like this data is based on pure speculation!!!!

One of the sources where the name of Johann is found is from the marriage document for his daughter Caroline. See the <https://freepages.rootsweb.com/~aek740/genealogy/112.jpg> following source image. </a>

The other source is from the death information for Augusta (Krause) Marquardt where the names of her parents are shown.

Johann/John Krause was killed in a war in Prussia according to info passed down from his descendants. His wife and two sons John, and Carl(Charlie), and four daughters came to the U.S.A. to relatives. So far, these relatives have not been located but may point to the Berrien Co., MI, Krause group as Michigan was the stated destination of Branch-One-A Krause group according to the ship list. However, with the discovery of a sister of John and Herman Krause, the relatives in the USA may have been located. See info on Wilhelmina 'Minnie' Krause.

No documents has been found to indicate that Charlotte, age 60, in 1884 is the mother of Johann/John. Since these two families were together on the same ship and lived in close proximity in Kreis Schlochau, Germany (about 2miles) and John's daughter, Caroline, born in 1873 at the same location as Hermann and his mother Caroline were from, then it has been assumed that Herman and John are sons of Caroline. Another minor indication of possible connection between Herman and John is that the first three daughters of both families are named exactly the same. Y-Chromosome DNA analysis on a male descendant of Herman has shown a genetic distance of one compared to a descendant of John. A second male descendant of John has a genetic distance of zero to a descendant of Herman. Since this marker is the same for the descendant of Herman and the other Branches called 1B,C,D,E,F,G then the change has occurred in the descendant of John. This information had added to the proof that Herman and John were brothers. Family Finder

---

## Generation 2 (cont.)

DNA tests on two descendants of Herman and also two descendants of John have shown that Herman and John were brothers. The father of these two is unknown and I call him Gggf Krause as he would have been my great-great-grandfather Krause. If anyone has info who this person is, then I would appreciate them contacting me so that we can compare what evidence they may have. Speculation has no place in genealogy research!!

Carl(Charlie) talked about an Uncle John that had come to the USA and had moved away to another state and was never heard from again. It appears that at the age of 75+, his mind must have been playing tricks on him as his father was John(Johann) and his uncle was Herman who had moved to Wisconsin. Other sisters (4) were also part of the group to come to the USA as well as his grandmother Krause.

Notes on area where this Krause family came from in Prussia:

Administrative areas of Westpreussen (West Prussia)?

Between 1824-1878 there was one Province of Prussia (Provinz Preussen) which later was divided into two provinces (Ostpreussen, Westpreussen) with capitals in Koenigsberg and Danzig, respectively.

In 1815-1920 there were the following districts and Kreise (counties):

Regierungsbezirk (district) of Danzig included the Kreise of Berent, Danzig-Stadt, \*Danziger Hoehe, Danziger Niederung, Dirschau, Elbing-Stadt, Elbing-Land, \*Karthaus, Marienburg, \*Neustadt, \*Putzig, Preussisch-Stargard.  
(\* marks the Kreise where the wendic tribe of the Kashoobs (Kashoubs) lived who speak a slavic dialect and who are mainly Catholic).

Regierungsbezirk (district) of Marienwerder included the Kreise of Briesen, Deutsch-Krone, Flatow, Graudenz, Konitz, Kulm, Loebau, Marienwerder, Rosenberg, Schlochau, Schwetz, Strasburg, Stuhm, Thorn, Tuchel.

The following URL has a number of photos of unknown persons that are assumed to be associated with this line:

[Descendants of Johann/John Krause](http://freepages.genealogy.rootsweb.com/~aek740/unknown_photos-Krause.htm)

Notes for Caroline Wilhelmine Tohm:

[Photograph: Henry Knickrehm\(second husband\)\[left side\], Caroline \(Tohm\)\(Krause\) Knickrehm\[right side\], Bertha Krause\[right rear\], Charlie Krause\[left rear\], Hulda Krause\[center\]. photo taken St. James, MN. ca 1894](http://freepages.genealogy.rootsweb.com/~aek740/120.jpg)

Maiden name could be either Thom or Tohm or possibly John. First letter looks more like a T than a J. See the following link for the [source of this information](https://freepages.rootsweb.com/~aek740/genealogy/113.jpg) at line 13.

The marriage document of Caroline Krause, Daughter of Caroline shows her mother's surname as Thom while the marriage document of Caroline and Henry Knickrehm shows her maiden name as Tohm. Looks like one might be a German spelling and the other an Anglicised version or maybe even a spelling error.

Came to the USA in 1884 with her family after her husband was killed in Germany ( a war ?). Came to Elgin Illinois first, Married Mr. Henry Knickrehm after his second wife died then they moved to St. James MN. The 1900 census for Watonwan Co. MN shows that she neither reads or speaks English only German. The census information states that she has had 7 children and 6 are living.

---

## Generation 2 (cont.)

Name shown on census, 1900, is Lina D. This must be a nickname.

Immigrated to the USA in 1884.

Following data received from James Birkholz

Germans to America shows the following:

October 11, 1884, the "Westphalia" arrived in New York from Hamburg via Havre, France. On board were:

The first group shown below are from Mauersin, Kr. Schlochau, WPR

Krause, Herm.	25 M	(Labr. from Prussia bound for Michigan)
Christine	25 F	
Auguste	3 F	
Caroline	1 F	
Caroline	60 F	mother of Herman

The second group is from Friedrichshof, Kr. Schlochau, WPR.

Caroline	40 F	
Auguste	16 F	
Johann	14 M	
Caroline	9 F	
Bertha	7 F	
Carl	4 M	
Hulda	11 months	F (actually 16 months. Lied about age)

The Schewe family from Friedrichshof was also on the same ship.

Gustav Schewe age 29 ( Labr. from Prussia bound for Michigan)

Auguste ??? age 28 wife

ch: Wilhelm Schewe, age 6

Johann Schewe, age 3

Matthew Schewe, age 11 months.

Friedrichshof and Mauersin are about 5Km apart (3 miles).

Source of information Hamburg Ship Lists(Direct p 1782, Band 54)

Possible connection for the Schewe family:

The information on this Schewe family might indicate that Auguste is one of the Krause daughters.

If proof could just be found for this it would help to make the proper connections!!!!!!

Ref:

1895 Census, Nelson Twp., Watonwan Co., MN, p25, age 51

1900 Census, Nelson, Twp., Watonwan Co., MN, ED#265, p57A/3A, frame 5/17, taken 5 June

1900, age 56, 7 children, 6 living

Johann 'John' Krause Sr. and Caroline Wilhelmine Tohm had the following children:

- +7. i. AUGUSTA<sup>7</sup> KRAUSE (daughter of Johann 'John' Krause Sr. and Caroline Wilhelmine Tohm) was born on 07 October 1868 in West Preusen, Germany<sup>9</sup>. She died on 02 March 1921 in Elgin, Kane Co., IL<sup>9</sup>. She married William "William Markwardt" Marquardt on 06 March 1890 in Kane Co., IL<sup>10</sup>. He was born on 11 April 1870 in Germany. He died in Elgin, Kane Co., IL.
- +8. ii. JOHN KRAUSE JR. (son of Johann 'John' Krause Sr. and Caroline Wilhelmine Tohm) was born after 12 October 1870 in Germany. He died on 12 October 1955 in Elgin, Kane Co., IL. He married Wilhelmina 'Minnie' Karsten (daughter of Friedrich 'Fred' Karsten and Sophie Ganschow) on 18 May 1893 in Gilberts, Kane Co., IL. She was born on 10 November 1872 in Germany. She died on 12 March 1951 in Elgin, Kane Co., IL.
- +9. iii. CAROLINE 'CARRIE' JOHANNA KRAUSE (daughter of Johann 'John' Krause Sr. and Caroline Wilhelmine Tohm) was born on 01 March 1873 in Mauersehn, Kreis Marien Werder, East Prussia( Germany). She died on 25 September 1950 in Elgin, Kane Co., IL<sup>13</sup>. She married William H. Knickrehm (son of Hans Heinrich Wilhelm Knickrehm and Charlotte Justine Rose) on 07 June 1888 in Elgin, Kane Co., IL<sup>10</sup>.

---

---

### Generation 2 (cont.)

He was born on 21 October 1863 in Shaumberg-Lippe, Germany. He died on 18 March 1944 in Elgin, Kane Co., IL.

10. iv. BERTHA KRAUSE (daughter of Johann 'John' Krause Sr. and Caroline Wilhelmine Tohm) was born on 07 April 1877 in Friedrichshof, Kreis Schlochau, West Prussia<sup>1</sup>. She died on 27 May 1905 in Elgin, Kane Co., IL<sup>1</sup>. She married William Joseph King (son of Joseph L. King and Mary Egan) on 28 May 1898 in Cook Co., IL<sup>16</sup>. He was born on 17 January 1874 in Batavia, Kane Co., IL<sup>1, 15</sup>. He died on 25 March 1935 in Elgin, Kane Co., IL<sup>1</sup>.

Notes for Bertha Krause:

Ref:

1900 Census, Elgin(Ward#5), Elgin Twp., Kane Co., IL, ED#101, p19A/119A, family#395, frame 43/47, taken 14 June 1900, age 24(Apr 1876), marr 2 yrs, 0 children, 0 living, imm 1882

Notes for William Joseph King:

Ref:

1900 Census, Elgin(Ward#5), Elgin Twp., Kane Co., IL, ED#101, p19A/119A, family#395, frame 43/47, taken 14 June 1900, age 26(Jan 1874), marr 2 yrs

Name: William Joseph King

Titles and Terms (Original):

Event Date: 25 Mar 1935

Event Place: Elgin, Kane, Illinois

Gender: Male

Race: W

Age: 61

Birth Year (Estimated): 1874

Birth Date: 17 Jan 1874

Birthplace: Batavia, Ill.

Father's Name: Joseph L. King

Father's Birthplace: Argyle, N.Y.

Mother's Name: Mary Egan

Mother's Birthplace: Maple Park, Ill.

Occupation: Plumber

Spouse's Name: Pearl King

Burial Date: 28 Mar 1935

Burial Place: Elgin, Cook, Ill.

Cemetery: Bluff City

Digital Folder Number: 4008398

Image Number: 1047

GS Film number: 1754242

Reference ID: P. 10693

Citing this Record:

"Illinois Deaths and Stillbirths, 1916-1947," database, FamilySearch (<https://familysearch.org/ark:/61903/1:1:N3B2-9KD> : 27 December 2014), William Joseph King, 25 Mar 1935; Public Board of Health, Archives, Springfield; FHL microfilm 1,754,242.

Relationship Notes for William Joseph King and Bertha Krause:

Cook County, Illinois, Marriages Index, 1871-1920

Name: William J King

Age: 24

Gender: Male

---

---

## Generation 2 (cont.)

Birth Year: abt 1874  
Marriage Type: Marriage  
Marriage Date: 28 May 1898  
Spouse Name: Bertha Krause  
Spouse Age: 21  
Spouse Gender: Female  
FHL Film Number: 1030285

- +11. v. CARL 'CHARLIE' GUSTAV WILLIAM KRAUSE (son of Johann 'John' Krause Sr. and Caroline Wilhelmine Tohm) was born on 29 March 1880 in Friedrichshof, Kreis Schlochau, West Prussia. He died on 17 February 1961 in Moose Jaw, SK<sup>17</sup>. He married Alvina Otilia Zilke (daughter of August Zielke and Emilia Ottelia Sparman) on 22 December 1908 in Souris, Bottineau Co., ND. She was born on 07 December 1891 in Sleepy Eye, Brown Co., MN<sup>17</sup>. She died on 20 September 1973 in Moose Jaw, SK<sup>17</sup>.
- +12. vi. HULDA WILHELMINE KRAUSE (daughter of Johann 'John' Krause Sr. and Caroline Wilhelmine Tohm) was born on 02 May 1883 in Friedrichshof, Kreis Schlochau, West Prussia. She died on 13 December 1943 in Velva, McHenry Co., ND. She married (1) FRANK HENRY LORENZ (son of Joseph J. Lorenz and Amelia 'Emily Mollie' Meier) on 21 July 1898 in St. James, Watonwan Co., MN<sup>19</sup>. He was born on 15 September 1878 in Huntley, McHenry Co., IL. He died on 19 November 1934 in Minot, Ward Co., ND. She married (2) RUDOLPH BATKE between 04 July 1935-1937. He was born on 20 October 1890 in Russia<sup>18</sup>. He died in October 1985<sup>18</sup>.
13. vii. CHILD KRAUSE (child of Johann 'John' Krause Sr. and Caroline Wilhelmine Tohm) was born before 1884 in Germany. Child died before 1884 in Germany.

### Notes for Child Krause:

This child is only known because in the 1900 census Caroline reported that she had 7 children and 6 were living. The ship list showed the 6 children that immigrated to America in 1884 so the seventh child of unknown sex was born before 1884 and died before 1884. This does not mean that the child was born and died in 1884 as the youngest child on the shiplist was Hulda who was born 2 May 1884.

Anyone showing this child with a name and birth and death dates is requested to send their proof and source for this information to me at the following email address: see pseudo person notes: 00ReadMeFirst-01

The following items are the supporting information for my findings:

"1900 Census, Nelson, Twp., Watonwan Co., MN, ED#265, p57A/3A, frame 5/17, taken 5 June 1900, age 56, 7 children, 6 living"

What other people show appears to be based on my information that the child was born and died prior to the family leaving WPR in 1884. This child may be from a single birth or maybe even a twin.

The Moran Tree at Ancestry.com shows a Johnn Nicholaus Krause, b 1884, Warin, Schwerin, Mecklenburg-Vorpommern, Germany, d 1884, Germany

This is the exact same information that is shown in the Roloff Tree that many others have used as their source of information. This particular tree is very bad as the father of the family is shown as dying in 1866 but then married Caroline Tohm and has all of the children that are my grand-father's siblings. then also marries again and has a third family from 1873 to 1900. His source of information is a "OneWorldTree" that shows the father as Johann Kruse, and mother as Catharina Dorothea Kroplin. Looks more like garbage genealogy than researched information. This person is still active on their Ancestry.com account on a daily basis but has removed their profile so they cannot be contacted. I have tried contacting the owner of this database five times but they refuse to reply.

The following is to show how the proliferation of what I call "Garbage Genealogy" is being carried out to day by people just copying information from someone else's

---

## Generation 2 (cont.)

database. Here is a link that shows the source that people use for the <a href="https://freepages.rootsweb.com/~aek740/genealogy/Roloff-Tree%20gbg.JPG"> Johann Nicholas Krause </a> shown as a sibling to my grandfather. It is very obvious that the people who have the tree on the left don't know anything about human biology as the mother would have been 147 years old at the time of birth of Johann. The woman that Johann marries is b 1764. This is all garbage and I don't think that it should be shown as the person who is the unknown child that was born and died in Germany before the family came to America in 1884.

3. **WILHELMINA 'MINNIE'<sup>6</sup> KRAUSE** (Gggf<sup>5</sup>, ?-A<sup>4</sup>, Branch-One-A<sup>3</sup>, Haplogroup-I2a-F3744-Positive<sup>2</sup>, Schlochau-Branches<sup>1</sup>) was born on 01 January 1844 in Prussia. She died on 09 May 1912 in Chicago, Cook Co., IL. She married Charles 'Karl' Natzel (son of ? Natzel and Anna ???) before April 1873 in Prussia. He was born in 1846 in Prussia. He died on 21 September 1919 in Bremen Twp., Cook Co., IL.

Notes for Wilhelmina 'Minnie' Krause:

NOTE:: The source for the information on Wilhelmine Krause and children with Charles 'Karl' Natzel was first received in a Pedigree chart for Stephanie Tyre, sent to me by Fawn Ketner Keegan. Once I had this Pedigree then a tree was found on Ancestry.com called <a href="https://www.ancestry.com/family-tree/person/tree/85176038/person/46518402837">"Natzel-Smoczynski Tree" </a>administered by Bill Sandve of Austin, TX. I shared my info on this Krause line with Bill who has now added information and shown a source back to this database.

Immigration 12 Apr 1873, Ship: Hansa, Hamburg Ship list, Capt. Brandt, arrived New York from Liverpool, Three adults Carl Natzel, age 27, h/w Wilhelmina, age 25, and Anna, age 59, mother of Karl.

Ref:

1880 Census, Chicago, Cook Co., IL, ED#163, p2B/194B, family#19, frame 2/66, taken 1 June 1880, age 31

1910 Census, Chicago(Ward#23), Cook Co., IL, ED#999, p11A/183A, family#259, frame 21/45, taken 21 Apr 1910, age 65, 12 children, 6 living, mother-in-law, in home of Edward Coutre, washerwoman for Private families. Address is 1891 Poe Street

Cook County, Illinois, Deaths Index, 1878-1922

View Record

Name	Minnie Naetzel
Birth Date	1 Jan 1844
Birth Place	Germany
Death Date	9 May 1912
Death Place	Chicago, Cook, Illinois
Burial Date	12 May 1912
Cemetery Name	Montrose
Death Age	68
Occupation	Housekeeper
Race	White
Marital Status	Married
Gender	Female
Street Address	1891 Poe St. This is the same address as the 1910 Census
Father Birth Place	Germany
Mother Birth Place	Germany
FHL Film Number	1287632

The case for Wilhelmina Krause to be from this family is not that strong but is based on shared DNA with Jane (Krause) Plowman and Arnold Krause who share DNA with Stephanie Tyre who descends from this line. This attachment is being made until proven otherwise. See the shared DNA between Jane (Krause) Plowman, Arnold Krause, Stephanie Tyre, and Kenneth Krause as



---

## Generation 2 (cont.)

shown in the following

[<a Target="\\_blank"](#)

[href="https://freepages.rootsweb.com/~aek740/genealogy/crowsersnips/SS-JP+AK+ST+KK.JPG"](https://freepages.rootsweb.com/~aek740/genealogy/crowsersnips/SS-JP+AK+ST+KK.JPG)  
> Screen Snip of Shared DNA </a> Kenneth Krause is shown as he is shown as a match with Jane (Krause) Plowman but the shared DNA is below the threshold for Arnold and Stephanie. Kenneth is Haplogroup R so his Krause line is not connected to our Branch-One-I group but his Pedigree must intersect our Krause Pedigree beyond Gggf Krause and his wife, Caroline. The Chromosome Browser diagram shows all four people share a common DNA section on Chromosome #2, The section where Jane, Arnold, and Stephanie show the major shared DNA is on Chromosome #6 as well as the section on Chromosome #2

Futher information is shown at the following link: [<a Target="\\_blank"](#)

[href="https://freepages.rootsweb.com/~aek740/genealogy/Scanned%20Documents.htm"](https://freepages.rootsweb.com/~aek740/genealogy/Scanned%20Documents.htm)> See items #556, 557, and 558. </a>

Family Finder DNA shows that Stephanie Tyre matches both Arnold Krause and Jane (Krause) Plowman. Shared DNA is as follows:

Arnold: 79/37 cM (total/longest block)

Jane (Krause) Plowman: 76/21 cM (total/longest block)

This give the following relationships:

Arnold Krause: 3rd cousin 1 removed

Jane (Krause) Plowman: 2nd cousin twice removed.

There are other possible ways that Wilhelmina could connect to John and Herman other than as a sibling. These are first cousin or second cousin. If this approach is used then the connection to Jane (Krause) Plowman would be 3rd cousin twice removed and for Arnold it would be 4th cousin once removed.

If one uses the standardized shared DNA chart as shown in the following link [<a Target="\\_blank"](#) [href="https://freepages.rootsweb.com/~aek740/genealogy/images/cM-Chart.JPG"](https://freepages.rootsweb.com/~aek740/genealogy/images/cM-Chart.JPG)> Shared DNA Chart </a> then the following values are arrived at:

Actual shared cM for	Jane(Krause) Plowman	Arnold Krause
	76	79
Sibling:	81 range 0-201	56 range 1-156
1st cousin to John/Herman	36 range 0-82	20 range 0-57

The actual values for Jane fall within the range for first cousin but the values for Arnold are in excess of the proper range. This means that the sibling connection is the most probable connection and will be used until proven otherwise. The sibling approach is also the most likely because from the Shiplist when John's family and Herman and his family and Herman's mother indicated their destination it was Michigan but they ended up in Chicago, Cook Co., IL and Elgin, Kane County, IL and not Michigan. Wilhelmina and her family lived in Chicago so this is probably the relatives that they were coming to that were already in America.

Notes for Charles 'Karl' Natzel:

Immigration 12 Apr 1873, Ship: Hansa, Hamburg Ship list, Capt. Brandt, arrived New York from Liverpool, Two adults Carl Natzel, age 27, h/w Wilhelmina, age 25, also on ship list, age 59, mother of Karl, from Stetzin, Preuben

Hamburg Index, Band 3,Letter N. Carl Natzel, 245, April 1873, frame 8/12

Ref:

1880 Census, Chicago, Cook Co., IL, ED#163, p2B/194B, family#19, frame 2/66, taken 1 June 1880, age 34

1910 Census, Norwood Park Twp., Cook Co., IL, ED#67, p11A/235A, Cook Co., Infirmary, frame 21/39, taken 27 Apr 1910, age 63, imm 1884??

Charles 'Karl' Natzel and Wilhelmina 'Minnie' Krause had the following children:

- +14. i. THEODORE ALBERT<sup>7</sup> NATZEL (son of Charles 'Karl' Natzel and Wilhelmina 'Minnie' Krause) was born on 24 September 1876 in Chicago, Cook Co., IL<sup>1</sup>. He died on 12 January 1940 in Norwood Park, Cook Co., IL<sup>1</sup>. He married Louisa Rauschert (daughter of Charles Rudolph Rauschert and Cecelia 'Celia' Muller) on 27 October

---

---

### Generation 2 (cont.)

- 1897 in Chicago, Cook Co., IL<sup>8</sup>. She was born on 31 July 1879 in Armenia, Jeuneau Co., WI<sup>1</sup>. She died on 11 September 1936 in Chicago, Cook Co., IL<sup>1</sup>.
- +15. ii. EMMA NATZEL (daughter of Charles 'Karl' Natzel and Wilhelmina 'Minnie' Krause) was born in May 1878 in Chicago, Cook Co., IL<sup>1</sup>. She died on 02 July 1945 in Chicago, Cook Co., IL<sup>1</sup>. She married William Christopher Coutre on 22 September 1896 in Chicago, Cook Co., IL. He was born on 22 October 1875 in Chicago, Cook Co., IL<sup>1</sup>. He died before 10 February 1956 in Chicago, Cook Co., IL<sup>1</sup>.
16. iii. HENRY NATZEL (son of Charles 'Karl' Natzel and Wilhelmina 'Minnie' Krause) was born on 18 July 1880 in Chicago, Cook Co., IL. He died on 17 August 1881 in Chicago, Cook Co., IL.
17. iv. MINNIE NATZEL (daughter of Charles 'Karl' Natzel and Wilhelmina 'Minnie' Krause) was born on 04 April 1882 in Chicago, Cook Co., IL. She married (1) ? ANDREWS. She married (2) ? SZAWALA.

#### Notes for Minnie Natzel:

U.S., Social Security Applications and Claims Index, 1936-2007

[View Record](#)

Name Minnie Andrews

Gender Female

Race White

Birth Date 4 Apr 1882

Birth Place Chicago, Illinois

Father Charles Natzel

Mother Minnie Kraus

SSN 320055375

Notes Nov 1936: Name listed as MINNIE ANDREWS; : Name listed as MINNIE SZAWALA

Household Members

Name Age

Minnie Andrews

Minnie Kraus

Charles Natzel

- +18. v. TILLIE NATZEL (daughter of Charles 'Karl' Natzel and Wilhelmina 'Minnie' Krause) was born between 1883-1884 in Chicago, Cook Co., IL. She married Edward F. Coutre on 31 October 1903 in Chicago, Cook Co., IL. He was born on 03 August 1882 in Chicago, Cook Co., IL. He died on 04 March 1912 in Cook Co., IL.
19. vi. WILLIAM NATZEL (son of Charles 'Karl' Natzel and Wilhelmina 'Minnie' Krause) was born on 23 December 1886 in Chicago, Cook Co., IL<sup>1</sup>. He died on 24 October 1958 in Chicago, Cook Co., IL<sup>1</sup>. He married RETTA BREINER. She was born in Chicago, Cook Co., IL.

#### Notes for William Natzel:

Cook County, Illinois, Birth Certificates Index, 1871-1922

[View Record](#)

Name Willi Natzel

Birth Date 23 Dec 1886

Birth Place Chicago, Cook, Illinois

Ethnicity American

Gender Male

Race White

Father Charles Natzel

Mother Minna Krause Natzel

FHL Film Number 1287861

Household Members

Name Age

Willi Natzel

---

## Generation 2 (cont.)

Minna Krause Natzel  
Charles Natzel

- +20.   vii.   LOUISE ELIZABETH NATZEL (daughter of Charles 'Karl' Natzel and Wilhelmina 'Minnie' Krause) was born on 24 November 1889 in Chicago, Cook Co., IL<sup>18</sup>. She died on 13 April 1974 in Chicago, Cook Co., IL<sup>18</sup>. She married August Seidelmann (son of John Seidelmann and Anna Laplanche) on 18 February 1911 in Kane Co., IL. He was born on 25 August 1888 in Aurora, DuPage Co., IL<sup>12, 15</sup>. He died on 23 September 1947 in Chicago, Cook Co., IL.
4.   **AUGUSTA M.<sup>6</sup> KRAUSE** (Gggf<sup>5</sup>, ?-A<sup>4</sup>, Branch-One-A<sup>3</sup>, Haplogroup-I2a-F3744-Positive<sup>2</sup>, Schlochau-Branches<sup>1</sup>) was born on 06 February 1855 in from Friedrichshof, Kreis Schlochau, WPR<sup>1</sup>. She died on 08 October 1929 in Elgin, Kane Co., IL<sup>1</sup>. She married **GUSTAV THEODORE SCHEWE** (son of Carl Schewe and Caroline Hartwig). He was born on 31 December 1855 in from Friedrichshof, Kreis Schlochau, WPR. He died in 1913<sup>1</sup>.

Notes for Augusta M. Krause:

The maiden name of the wife of Gustave Schewe/Schiewe is unknown but is being assumed to be Krause as explained below.

This person appears to be a sibling of Johann/John and Herman Krause as she is from from Friedrichshof, Kr. Schlochau, WPR, the same small village that the family of John Krause was from. Both the Krause and Schewe Families were from Friedrichshof and indicated they were going to Michigan, USA. This connection has been proven from DNA matches at Ancestry.com for Arnold Krause[AEK Nov. 16, 2021]. Anyone with information on this Schewe family line is asked to please send an email to:

see pseudo person notes: 00ReadMeFirst-01

Only by sharing information it may be possible to make the proper connections for this family line.

The following was received from Tory Suehs, 28 Apr 2018:

As I was straightening things out in my tree, I realized a little tidbit, that I think supports the Augusta (Krause?) Schewe connection. I was looking at the ship manifests, and it has the two Krause families (Johan's wife, Herman's family) then the Schewe family, but also grouped with them is Mathilda and Heinrich Kipke. Mathilda is Christine (Voss) Krause's sister. I noticed in your tree you just have Mathilda married to Kipke, it didn't have a first name. But I do believe that this Mathilda and Heinrich are them. I think it just supports all of the Krause, Schewes and Kipke being related to either Herman or Christine.

Ref: Possible family in 1900 census

1900 Census, Bartlett Village, Hanover Twp., Cook Co., IL, ED#1162, p16B/249B, family#230, frame 32/43, taken 20 June 1900, age 45(Feb 1855), marr 16 yrs, 11 children, 7 living, imm 1886, name: Augusta Schewe

1910 Census, Hanover Twp., Cook Co., IL, ED#30, p11B/11B, family#161, frame 22/26, taken 7-9 May 1910, age 53, second marriage, marr 24 yrs, 11 children, 7 living

1920 Census, Hanover Twp., Cook Co., IL, ED#89, p8A/167A, family#156, frame 15/19, taken 15-16 Jan 1920, age 64, widow, imm 1884, name: Augusta Schawe

Notes for Gustav Theodore Schewe:

This family came on the same ship as the Krause family. Both were from Friedrichshof, Kreis Schlochau, West Prussia. There may be some relationship to the Krause name as the name Augusta is the first daughter of the Krause families for two different families. See Carl Gustav William Krause's siblings and the Herman Krause family for information on naming patterns. This information for the Gustav Schewe family was obtained from the Hamburg ship lists (Direct).

Ref: Possible family in 1900 census

1900 Census, Bartlett Village, Hanover Twp., Cook Co., IL, ED#1162, p16B/249B, family#230, frame 32/43, taken 20 June 1900, age 44(Dec 1855), marr 16 yrs, imm 1886, name: Gustav Schewe

1910 Census, Hanover Twp., Cook Co., IL, ED#30, p11B/11B, family#161, frame 22/26, taken 7-9 May 1910, age 50, marr 24 yrs, first marriage, imm 18?3(looks like 1863 or 1883??), name:

---

## Generation 2 (cont.)

Gustave Schave

Source & proof for birth and baptism dates:

Name: Gustav Theodor Schewe

Gender: Male

Birth Date: 31 Dec

Baptism Date: 20. Jan 1856 (20 Jan 1856)

Baptism Place: Evangelisch-Lutherische, Konitz, Westpreussen, Prussia

Father:

Carl Schewe

Mother:

Caroline Hartwig

FHL Film Number: 245406, 245408, 245409

Gustav Theodore Schewe and Augusta M. Krause had the following children:

21. i. WILHELM<sup>7</sup> SCHEWE (son of Gustav Theodore Schewe and Augusta M. Krause) was born between 1877-1878. He died on Dead.
22. ii. JOHANN SCHEWE (son of Gustav Theodore Schewe and Augusta M. Krause) was born between 1880-1881 in Friedrichshof, Kreis Schlochau, West Prussia. He died on Dead.
23. iii. MATTHEW SCHEWE (son of Gustav Theodore Schewe and Augusta M. Krause) was born about November 1883 in Friedrichshof, Kreis Schlochau, West Prussia. He died on Dead.

Notes for Matthew Schewe:

age 11 months on ship list

- +24. iv. EMMA SCHEWE (daughter of Gustav Theodore Schewe and Augusta M. Krause) was born on 22 August 1888 in Hanover Twp., Cook, IL. She died on Dead. She married Frank Knaak Sr. between 1907-1908. He was born on 11 February 1877 in Dundee, Kane Co., Illinois, USA. He died on 18 April 1942 in Cook Co., IL.
- +25. v. PAULINE J. SCHEWE (daughter of Gustav Theodore Schewe and Augusta M. Krause) was born in May 1892 in Hanover Twp., Cook, IL. She died on 20 February 1962 in Cook Co., IL. She married Albert William Knaak on 25 June 1919 in Bartlett, Cook Co., IL. He was born on 30 October 1880 in Barrinton, Cook Co., IL<sup>12, 15</sup>. He died on 25 July 1953 in Elgin, Kane Co., IL.
- +26. vi. MINNIE SCHEWE (daughter of Gustav Theodore Schewe and Augusta M. Krause) was born on 21 August 1894 in Hanover Twp., Cook, IL<sup>1</sup>. She died on 01 January 1981 in Elgin, Kane Co., IL<sup>1</sup>. She married Henry Joseph Drehobl on 12 April 1919 in Cook Co., IL. He was born on 11 August 1898 in Cook Co., IL<sup>1</sup>. He died on 31 March 1962 in Cook Co., IL<sup>1</sup>.
27. vii. MARTHA SCHEWE (daughter of Gustav Theodore Schewe and Augusta M. Krause) was born in January 1897 in Hanover Twp., Cook, IL. She died on Dead.

Notes for Martha Schewe:

Ref: Possible family in 1900 census

1900 Census, Bartlett Village, Hanover Twp., Cook Co., IL, ED#1162, p16B/249B, family#230, frame 32/43, taken 20 June 1900, age 3 (Jan 1897)

1910 Census, Hanover Twp., Cook Co., IL, ED#30, p11B/11B, family#161, frame 22/26, taken 7-9 May 1910, age 13, name: Martha Schave

1920 Census, Hanover Twp., Cook Co., IL, ED#89, p8A/167A, family#156, frame 15/19, taken 15-16 Jan 1920, age 22, name: Martha Schave

5. **HERMAN MARTIN<sup>6</sup> KRAUSE SR.** (Gggf<sup>5</sup>, ?-A<sup>4</sup>, Branch-One-A<sup>3</sup>, Haplogroup-I2a-F3744-Positive<sup>2</sup>, Schlochau-Branches<sup>1</sup>)<sup>2</sup> was born on 02 March 1860 in Germany (WPR<sup>2-3</sup>). He died on 19 April 1943 in Little Wolf, Waupaca Co., WI<sup>4-5</sup>. He married Christine Albertine "Martha Voss" Voss (daughter of Martin Christlieb Voss and Henrietta Koglin) in June 1880 in Kramsk, Kreis Schlochau,

---

## Generation 2 (cont.)

West Prussia, (Germany)<sup>6</sup>. She was born on 16 December 1858 in Germany<sup>7</sup>. She died on 29 November 1930 in Manawa, Waupaca Co., WI.

Notes for Herman Martin Krause Sr.:

Many people are having great difficulty finding the place where Herman Krause was from according to the Hamburg Ship List. The following link shows a section of a map (GrosBlatt 40 Neustettin - Flatow) and GrosBlatt 41 where the two maps join.

[Map section showing where Branch-One-A](https://freepages.rootsweb.com/~aek740/genealogy/Schlochau.jpg) was from in West Prussia. The small circular dots with 518 is for the descendants of Johann Krause and 517 for Herman Krause. The other dots are for different Krause families who have proven to be DNA-cousins after 37-Marker Y-Chromosome tests were done on living male descendants of their lines.

Another link with several other maps that show where the [Branch-One Krause Roots](https://freepages.rootsweb.com/~aek740/genealogy/B01-Krause.htm) came from in West Prussia may further aid those who are having difficulty in finding this area. Just click on the icon on the right side to view the map or document. The maps included in this summary include the one in the link shown above.

One thing that is very puzzling to me is did this family not have a Family Bible that they recorded significant events? Many families had the names of parents and grandparents with dates of birth, marriage, and death recorded and each of their children. These people were religious but nobody seems to have any records that have come from a Family Bible. Is it still to be found and the treasures divulged?!!!!!!!!!!!!!!

Ref:

1900 Census, Little Wolf Twp., Waupaca Co., WI, ED#131, p3B/169B, frame 6/14, taken 11-13 June 1900, age 40(Mar 1860), m 24 years.

1905 Census, Little Wolf Twp., Waupaca Co., WI, p7/327, taken 1 June 1905, age 51

1910 Census, Union Twp., Waupaca Co., WI, ED#92, p1A/31A, family#7, frame 1/24, taken 15 Apr 1910, age 51, marr 30 yrs, imm 1884

1920 Census, Little Wolf Twp., Waupaca Co., WI, ED#141, p3B/188B, frame 6/21, taken 10-12 Jan. 1920, age 59

1930 Census, Little Wolf Twp., Waupaca Co., WI, ED#22, p10B/99B, frame 21/22, taken 25 Apr. 1930, age 71

This John Krause(or was it Herman?) was in the area of Elgin IL, at about 1885 and then moved to some other state or area. My grandfather Charlie Krause (Carl Gustav Wilhelm Krause) lost track of him and never was able to find his whereabouts.(The story of the Uncle John Krause was related to me by my grandfather in about 1956-1957 when he was 76-77 years old. He must have been confused and was mixing up his father, Johann/John and his Uncle Herman(AEK))

Moved from IL to WI after May 1886, two children were born in IL. In IL for 3 years according to Obit. This stay of 3 years in IL might have been to complete a sponsorship that brought this Krause family to the USA. Should check the 1885 State Census to determine where the family was located and what happened to Herman's mother, Caroline. Did she remarry or die in IL????!!!!!!

A hint on where to look is a reference to Hersh's Grove mentioned by the descendants of John Krause, Jr. while visiting in Elgin, IL, in 1965. Caroline, widow of John Krause, Sr. remarried Henry Knickrehm and he was located in Schaumburg Twp., Cook Co., IL, in the 1880 Census. This might help to determine where Herman's family was from 1884-1887.

Y-Chromosome DNA analysis on a male descendant of Herman has shown a genetic distance of one compared to a descendant of John. Since this marker is the same for the descendant of Herman and the other Branches called 1B,C,D,E,F,G,H,I,J, then the change has occurred in the descendant of John. Further testing of another descendant of John gave results that were identical to those for the descendant of Herman. As of April 2021, another descendant of John Krause has been tested, Jeff Krause, son of Arnold who had the mutation and Jeff has this same mutation. Arnold and his son, Jeff(Br-01A), have both had the Big-Y 700 DNA test and Daniel

---

## Generation 2 (cont.)

Krause(Br-01B) had the Big-Y 500 DNA test. The results of these tests are reported in the BigY Block Tree for Br-01 Krause.

This information had added to the proof that Herman and John were brothers and the change of one had been in either Edwin or Arnold Krause. Additional Family Finder DNA tests done on descendants of Herman and John have conclusively shown that Herman and John were brothers. This was the proof needed to close this chapter. However, the only chance that was available to find the parents of Herman and John has resulted in the name of the parent being unknown according to the [Death Certificate](https://freepages.rootsweb.com/~aek740/genealogy/547.jpg) for Herman. This is a hard brick wall for sure!!

U.S. Naturalization Record Indexes, 1791-1992 (Indexed in World Archives Project) about Herman Martin Krause

Name: Herman Martin Krause

Birth Date: 2 Mar 1860

Birth Place: Germany

Age at event: 53

Court District: Illinois, Indiana, Wisconsin, Iowa

Date of Action: 3 Nov 1913

<a

href="https://freepages.rootsweb.com/~aek740/genealogy/images/Herman%20Krause%20Naturalization%20Record.JPG">

Scan of Naturalization Record.</a>

Find A Grave info:

Herman M. Krause

Birth: Mar. 2, 1860, Germany

Death: Apr. 19, 1943

Waupaca County

Wisconsin, USA

### DEATH CLAIMS PIONEER

### LITTLE WOLF RESIDENT

Herman M. Krause, 83, a resident of the town of Little Wolf for many years, passed away at the home of his daughter, Mrs. George Buss, town of Little Wolf, Monday afternoon, April 19, after an illness of two days. He suffered a stroke Saturday afternoon.

Born in Germany on March 2, 1860, Mr. Krause spent his early years in the old country. He came to this country while a young man, residing in Elgin, Ill., for three years before coming to Waupaca county. He also lived in the town of Union several years prior to his residence in Little Wolf. Mrs. Krause passed away in 1930.

Survivors are six daughters, Augusta, Mrs. Arthur Cousins, Carolyn, Mrs. Lyman Dexter, and Bertha, Mrs. Herman Weber, all of New London; Mathilda, Mrs. Albert Hoppe, Waupaca; Amanda, Mrs. Emil Pruess, town of Helvetia, and Ida, Mrs Buss, town of Little Wolf; four sons Albert, Herman and Otto, New London, and Charles town of Little Wolf.

April 22, 1943, Source unknown.

Family links:

Spouse:

Christina Albertine Voss Krause (1858 - 1930)\*

Children:

Augusta M. Krause Cousins (1881 - 1959)\*

Bertha Krause Weber (1884 - 1947)\*

Mathilda Kraus Hoppe (1886 - 1972)\*

Albert C. Krause (1888 - 1954)\*

---

## Generation 2 (cont.)

Amanda Fredricka Krause Preuss (1889 - 1961)\*  
Minna Henriette Krause (1894 - 1894)\*  
Carl Theodore Krause (1897 - 1964)\*  
Otto Leo Krause (1899 - 1984)\*

\*Calculated relationship

Burial:  
Little Wolf Cemetery  
Manawa  
Waupaca County  
Wisconsin, USA

Created by: Joanne Morehouse  
Record added: Jun 11, 2014  
Find A Grave Memorial# 131242191

Herman M. Krause  
Added by: Joanne Morehouse

Notes for Christine Albertine Voss:  
Some data received from Mark Dulski.

Ref:

1900 Census, Little Wolf Twp., Waupaca Co., WI, ED#131, p3B/169B, frame 6/14, taken 11-13 June 1900, age 40(Sept 1859), 11 children, 10 living, m 24 yrs.  
1905 Census, Little Wolf Twp., Waupaca Co., WI, p7/327, taken 1 June 1905, age 51  
1910 Census, Union Twp., Waupaca Co., WI, ED#92, p1A/31A, family#7, frame 1/24, taken 15 Apr 1910, age 52, marr 30 yrs, 11 children, 10 living  
1920 Census, Little Wolf Twp., Waupaca Co., WI, ED#141, p3B/188B, frame 6/21, taken 10-12 Jan. 1920, age 61  
1930 Census, Little Wolf Twp., Waupaca Co., WI, ED#22, p10B/99B, frame 21/22, taken 25 Apr. 1930, age 71

The following was received from Tory Suehs, 28 Apr 2018:

As I was straightening things out in my tree, I realized a little tidbit, that I think supports the Augusta (Krause?) Schewe connection. I was looking at the ship manifests, and it has the two Krause families (Johan's wife, Herman's family) then the Schewe family, but also grouped with them is Mathilda and Heinrich Kipke. Mathilda is Christine (Voss) Krause's sister. I noticed in your tree you just have Mathilda married to Kipke, it didn't have a first name. But I do believe that this Mathilda and Heinrich are them. I think it just supports all of the Krause, Schewes and Kipke being related to either Herman or Christine.

Herman Martin Krause Sr. and Christine Albertine Voss had the following children:

- +28. i. AUGUSTA M.<sup>7</sup> KRAUSE (daughter of Herman Martin Krause Sr. and Christine Albertine Voss) was born on 21 January 1881 in Mauersin, Kr. Schlochau, Germany. She died on 02 March 1959 in New London, Waupaca Co., WI<sup>1</sup>. She married Arthur Willard Cousins (son of Leonard Cousins and Roanna Dexter) on 04 February 1904 in Manawa, Waupaca Co., WI<sup>11</sup>. He was born on 28 March 1881 in Liberty Twp., Outagamie Co., WI<sup>3, 12</sup>. He died on 10 May 1965 in Oshkosh, Winnebago Co., WI<sup>1</sup>.
- +29. ii. CAROLINE 'LENA' KRAUSE (daughter of Herman Martin Krause Sr. and Christine Albertine Voss) was born on 20 October 1882 in Mauersin, Kr. Schlochau, Germany. She died on 10 October 1967 in New London, Waupaca Co., WI. She married Lyman Dexter (son of Herman Dexter and Catherine Alvira Tenant) between 1902-1903. He was born on 06 July 1874 in Liberty Twp., Outagamie Co., WI<sup>3</sup>. He died on 23 April 1939 in New London, Waupaca Co., WI.

---

### Generation 2 (cont.)

- +30. iii. BERTHA ALBERINE KRAUSE (daughter of Herman Martin Krause Sr. and Christine Albertine Voss) was born on 04 October 1884 in at sea during immigration to America[On arrival ship list: name: Caroline]<sup>14</sup>. She died on 20 September 1947 in New London, Outagamie Co., WI<sup>1</sup>. She married Herman Weber (son of Julius Weber and Louise Malueg) on 23 March 1905 in ?. He was born on 01 April 1871 in Caroline, Shawano Co., WI<sup>3</sup>. He died on 11 June 1943 in New London, Waupaca Co., WI<sup>1</sup>.
- +31. iv. MATHILDA W. KRAUSE (daughter of Herman Martin Krause Sr. and Christine Albertine Voss) was born on 26 May 1886 in IL<sup>3</sup>. She died on 07 December 1972 in Waupaca, Waupaca Co., WI<sup>3</sup>. She married Albert Julius Hoppe (son of Theodore H. Hoppe and Friderike Fuhs) on 26 August 1903 in Manawa, Waupaca Co., WI. He was born on 22 May 1882 in Little Wolf Twp., Waupaca Co., WI. He died on 11 February 1953 in Waupaca Co., WI.
- +32. v. ALBERT EDWARD KRAUSE (son of Herman Martin Krause Sr. and Christine Albertine Voss) was born on 06 January 1888 in Manawa, Waupaca Co., WI. He died on 28 April 1954 in WI. He married Ada Agnes Eva Bower (daughter of William Bower and Amelia J. Habbeck) in 1909. She was born on 17 August 1892 in New London, Outagamie Co., WI. She died on 06 February 1986 in New London, Outagamie Co., WI.
- +33. vi. AMANDA KRAUSE (daughter of Herman Martin Krause Sr. and Christine Albertine Voss) was born in January 1892 in Manawa, Waupaca Co., WI. She died on 12 August 1961 in Waupaca, Waupaca Co., WI. She married Emil Walter "Amiel Preuss" Preuss (son of Julius Edward Preuss and Emelia Krause) on 18 December 1907. He was born on 21 April 1886 in Union Twp., Waupaca Co., WI. He died on 05 May 1950.
- +34. vii. IDA M. KRAUSE (daughter of Herman Martin Krause Sr. and Christine Albertine Voss) was born on 17 March 1893 in Manawa, Waupaca Co., WI. She died on 14 December 1954 in Little Wolf Twp., Waupaca Co., WI. She married George F. Buss in 1912. He was born on 05 August 1890 in WI<sup>18</sup>. He died in July 1964 in WI<sup>18</sup>.
35. viii. MINNA HENRIETTE KRAUSE (daughter of Herman Martin Krause Sr. and Christine Albertine Voss) was born on 13 January 1894 in Manawa, Waupaca Co., WI<sup>1</sup>. She died on 17 January 1894 in Waupaca Co., WI<sup>1</sup>.
- Notes for Minna Henriette Krause:  
This child is the d/o Herman and Christina. Internment records at the Little Wolf Cemetery tend to indicate these are the proper parents.
- +36. ix. HERMAN MARTIN KRAUSE JR. (son of Herman Martin Krause Sr. and Christine Albertine Voss) was born on 10 March 1895 in Manawa, Waupaca Co., WI<sup>18, 20</sup>. He died on 25 February 1976 in Oshkosh, Winnebago Co., WI<sup>18, 20</sup>. He married (1) GENEVA ROSE VELIE (daughter of Walter Velie and Cora Belle Thurston) on 16 April 1920 in ?. She was born on 23 February 1905 in St. Lawrence Twp., Waupaca Co., WI. She died on 16 September 1928 in Waupaca Co., WI<sup>21</sup>. He married (2) VERA CHRISTINA MAUDE PETERSON on 02 January 1934 in ?. She was born on 14 October 1894 in Northport, WI<sup>20</sup>. She died on 09 January 1965 in Oshkosh, WI<sup>20</sup>.
- +37. x. CARL THEODORE KRAUSE (son of Herman Martin Krause Sr. and Christine Albertine Voss) was born on 29 April 1897 in Little Wolf, Waupaca Co., WI<sup>15</sup>. He died on 14 March 1964 in New London, Waupaca Co., WI. He married Dessie May Kemp (daughter of George Garfield Kemp and Seborah 'Sabie' Whittington) on 04 February 1920 in Waupaca, Waupaca Co., WI. She was born on 21 May 1903 in WI<sup>22</sup>. She died on 05 July 1989 in Manawa, Waupaca Co., WI<sup>23</sup>.
- +38. xi. OTTO LEO KRAUSE (son of Herman Martin Krause Sr. and Christine Albertine Voss) was born on 27 October 1899 in Waupaca Co., WI<sup>18</sup>. He died on 08 November 1984 in New London, Waupaca Co., WI<sup>18</sup>. He married Lorena Anna Miller (daughter of August Miller and Anna Amelia Keup) on 25 November 1919. She was born on 29 December 1902 in Hansen, Wood Co., WI<sup>18, 24</sup>. She died in February 1972 in



---

## Generation 2 (cont.)

New London, Outagamie Co., WI<sup>18</sup>.

---

## Generation 3

7. **AUGUSTA<sup>7</sup> KRAUSE** (Johann 'John'<sup>6</sup> Sr., Gggf<sup>5</sup>, ?-A<sup>4</sup>, Branch-One-A<sup>3</sup>, Haplogroup-I2a-F3744-Positive<sup>2</sup>, Schlochau-Branches<sup>1</sup>) was born on 07 October 1868 in West Preussen, Germany<sup>9</sup>. She died on 02 March 1921 in Elgin, Kane Co., IL<sup>9</sup>. She married William "William Markwardt" Marquardt on 06 March 1890 in Kane Co., IL<sup>10</sup>. He was born on 11 April 1870 in Germany. He died in Elgin, Kane Co., IL.

Notes for Augusta Krause:

Ref:

1900 Census, Hanover Twp., Cook Co., IL, ED#1162, p11B/244B, family#146, frame 22/43, taken 15 June 1900, age 32(Oct 1867), marr 10 yrs, 5 children, 5 living

1910 Census, Elgin(Ward#2), Elgin Twp., Kane Co., IL, ED#62, p4B/63B, family#95, frame 8/16, taken 26 Apr 1910, age 41, marr 20 yrs, 7 children, 7 living(only 5 shown on this census)

1920 Census, Elgin, Elgin Twp., Kane Co., IL, ED#81, p4A/78A, frame 7/34, family#116, taken 5 Jan 1920, age 51, imm 1883

The Illinois Statewide Marriage Index 1763-1900 shows the following:

Marckwardt, Wiliam married Kruser, Gussie, Kane County, 6 March 1890, Lic. # 6847. This looks like it might be the Augusta Krause that married a William Marquardt??!! More research required.(AEK)

The obituary for her brother John Krause who died in 1955 indicated that Augusta was deceased at that time!!!!

Possible Census data????

1930 Census, Wausau(Ward#9), Marathon Co., WI, ED#69, p6B/266B, frame 12/34, taken 4 Apr. 1930, age 63, widow, imm. looks like 1884? The 1920 census shows that this is WRONG!!!!

Illinois, Deaths and Stillbirths Index, 1916-1947

Name: Augusta Markwardt

[Augusta Krause]

Birth Date: 7 Oct 1868

Birth Place: West Preussen, Germany

Death Date: 2 Mar 1921

Death Place: Elgin, Kane, Illinois

Burial Date: 6 Mar 1921

Burial Place: Elgin

Cemetery Name: Bluff City Cem.

Death Age: 52

Occupation: Housewife

Race: White

Marital Status: M

Gender: Female

Residence: 301 Brook St.

Father Name: John Krause

Father Birth Place: Germany

Mother Name: Carolina Toms

Mother Birth Place: Germany

Spouse Name: Wm. Markwardt

FHL Film Number: 1570361

Proof of death date:

Name: Augusta Markwardt

---

---

### Generation 3 (cont.)

Gender: F (Female)  
Birth Date: 7 Oct 1868  
Birth Place: Germany  
Death Date: 2 Mar 1921  
Death Place: Elgin, Kane County, Illinois, United States of America  
Cemetery: Bluff City Cemetery  
Burial or Cremation Place: Elgin, Cook County, Illinois, United States of America  
Has Bio?: N  
Mother:  
Caroline Wilhelmine Knickrehm  
Spouse:  
William Markwardt  
Children:  
Lucy Zuhlke  
Ella D Gannon  
Ruby Meuser  
Nellie C Braun  
William A Markwardt  
Arthur B Markwardt  
URL:  
<https://www.findagrave.com/memorial/113742984/augusta-markwardt>

Find a Grave information:

Augusta Krause Markwardt  
Birth 7 Oct 1868  
Germany  
Death 2 Mar 1921 (aged 52)  
Elgin, Kane County, Illinois, USA  
Burial  
Bluff City Cemetery  
Elgin, Cook County, Illinois, USA Show Map  
Plot Section 5, Lot 178  
Memorial ID 113742984 · View Source

Notes for William Marquardt:

Ref:

1900 Census, Hanover Twp., Cook Co., IL, ED#1162, p11B/244B, family#146, frame 22/43, taken 15 June 1900, age 32(Apr 1868), marr 10 yrs, imm 1885  
1910 Census, Elgin(Ward#2), Elgin Twp., Kane Co., IL, ED#62, p4B/63B, family#95, frame 8/16, taken 26 Apr 1910, age 42, marr 20 yrs, , imm 1882  
1920 Census, Elgin, Elgin Twp., Kane Co., IL, ED#81, p4A/78A, frame 7/34, family#116, taken 5 Jan 1920, age 51, imm 1882, name: William Markwardt

William Marquardt and Augusta Krause had the following children:

- +39. i. EMMA H.<sup>8</sup> MARQUARDT (daughter of William Marquardt and Augusta Krause) was born on 15 January 1892 in IL. She died in November 1975. She married Charles Frederick Kramke on 18 April 1917 in Elgin, Kane Co., IL. He was born on 28 December 1888 in Ploato Center, Kane Co., IL. He died on 30 May 1965 in Kane Co., IL.
40. ii. ELLA DORIS MARQUARDT (daughter of William Marquardt and Augusta Krause) was born on 11 July 1893 in IL<sup>18</sup>. She died in November 1969<sup>18</sup>. She married Thomas R. Gannon between 1927-1928. He was born between 1893-1894 in IL.

Notes for Ella Doris Marquardt:

Ref:

1900 Census, Hanover Twp., Cook Co., IL, ED#1162, p11B/244B, family#146, frame 22/43, taken 15 June 1900, age 5(Jul 1894)

---

### Generation 3 (cont.)

1910 Census, Elgin(Ward#2), Elgin Twp., Kane Co., IL, ED#62, p4B/63B, family#95, frame 8/16, taken 26 Apr 1910, age 16  
1930 Census, Elgin, Kane Co., IL, ED#70, p14A/29A, family#373, frame 27/30, taken 12 Apr 1930, age 36, first marr age 34, name: Ella D.

Name: Ella Gannon  
SSN: 328-28-3605  
Last Residence:  
60120 Elgin, Kane, Illinois, USA  
Born: 11 Jul 1893  
Died: Nov 1969  
State (Year) SSN issued: Illinois (1951)

Notes for Thomas R. Gannon:

Ref:  
1930 Census, Elgin, Kane Co., IL, ED#70, p14A/29A, family#373, frame 27/30, taken 12 Apr 1930, age 36, first marr age 34

41. iii. RUBY MARQUARDT (daughter of William Marquardt and Augusta Krause) was born in August 1895 in IL<sup>1</sup>. She died in 1969 in Elgin, Kane Co., IL<sup>1</sup>. She married Thomas P. Meuser on 14 December 1916 in Elgin, Kane Co., IL. He was born in 1891 in IL<sup>1</sup>. He died in 1950 in Elgin, Kane Co., IL<sup>1</sup>.

Notes for Ruby Marquardt:

Ref:  
1900 Census, Hanover Twp., Cook Co., IL, ED#1162, p11B/244B, family#146, frame 22/43, taken 15 June 1900, age 4(Aug 1895)  
1910 Census, Elgin(Ward#2), Elgin Twp., Kane Co., IL, ED#62, p4B/63B, family#95, frame 8/16, taken 26 Apr 1910, age 14  
1920 Census, Elgin, Kane Co., IL, ED#81, p4A/78A, family#107, frame 7/34, taken 5 Jan 1920, age 24

Notes for Thomas P. Meuser:

Ref:  
1920 Census, Elgin, Kane Co., IL, ED#81, p4A/78A, family#107, frame 7/34, taken 5 Jan 1920, age 28

Relationship Notes for Thomas P. Meuser and Ruby Marquardt:

Name: Tom Mueser  
Gender: Male  
Age: 25  
Birth Date: abt 1891  
Marriage Date: 14 Dec 1916  
Marriage Place: Kane, Illinois, USA  
Spouse: Ruby Markwardt  
Film Number: 001481092

- +42. iv. ARTHUR 'ART' BENJAMIN MARQUARDT (son of William Marquardt and Augusta Krause) was born on 27 July 1897 in IL<sup>18</sup>. He died in October 1977 in Elgin, Kane Co., IL<sup>18</sup>. He married ADELE G. KUNKE. She was born on 11 March 1897 in IL<sup>18</sup>. She died on 23 February 1988 in Elgin, Kane Co., IL<sup>18</sup>.
- +43. v. ELSIE NELLIE MARQUARDT (daughter of William Marquardt and Augusta Krause) was born on 12 August 1899 in Elgin, Kane Co., IL<sup>37</sup>. She died on 28 December 1955 in Owatonna, Steele Co., MN<sup>37</sup>. She married ERIC FREDERICK BRAUN (son of Hermann Braun and Johanna Strahl). He was born on 27 February 1903 in Germany<sup>1, 18</sup>. He died on 02 August 2003 in Owatonna, Steele Co., MN<sup>1, 18</sup>.
44. vi. LUCY MARQUARDT (daughter of William Marquardt and Augusta Krause) was born in 1903 in IL<sup>1</sup>. She died in 1969<sup>1</sup>. She married Herman Zuhlke (son of August Zuhlke

---

### Generation 3 (cont.)

and Wilhelmina 'Mina' Holste) on 27 September 1922. He was born on 31 July 1891<sup>1</sup>. He died in December 1985<sup>1</sup>.

Notes for Lucy Marquardt:

Ref:

1920 Census, Elgin, Elgin Twp., Kane Co., IL, ED#81, p4A/78A, frame 7/34, family#116, taken 5 Jan 1920, age 17

Notes for Herman Zuhlke:

Ref:

1900 Census, Bloomingdale Twp., DuPage Co., IL, ED#27, p13B/98B, family#243, frame 26/32, taken 22 June 1900, age 8(July 1891)

Marriage Notes: (Herman)

Name: Herman Zuhlke

Gender: Male

Age: 30

Birth Date: abt 1892

Marriage Date: 27 Sep 1922

Marriage Place: Kane, Illinois, USA

Father: August Zuhlke

Mother: Emma Sneider

Spouse: Lucy Markwardt

Film Number: 001481104

- +45. vii. WILLIAM 'WILLIE' AUGUST MARQUARDT SR. (son of William Marquardt and Augusta Krause) was born on 27 September 1906 in IL<sup>12, 18</sup>. He died in June 1975 in Elgin, Kane Co., IL<sup>18</sup>. He married Lillian Loraine Hilliard between 1928-1929. She was born on 10 August 1909 in MI<sup>18</sup>. She died in May 1975 in Elgin, Kane Co., IL<sup>18</sup>.
8. **JOHN<sup>7</sup> KRAUSE JR.** (Johann 'John'<sup>6</sup> Sr., Gggf<sup>5</sup>, ?-A<sup>4</sup>, Branch-One-A<sup>3</sup>, Haplogroup-I2a-F3744-Positive<sup>2</sup>, Schlochau-Branches<sup>1</sup>) was born after 12 October 1870 in Germany. He died on 12 October 1955 in Elgin, Kane Co., IL. He married Wilhelmina 'Minnie' Karsten (daughter of Friedrich 'Fred' Karsten and Sophie Ganschow) on 18 May 1893 in Gilberts, Kane Co., IL. She was born on 10 November 1872 in Germany. She died on 12 March 1951 in Elgin, Kane Co., IL.

Notes for John Krause Jr.:

Ref:

1900 Census, Elgin Twp., Kane Co., IL, ED#90, p1A/329A, frame 1/30, taken 16 June 1900, age 29(Jan 1871), Butcher

1910 Census, Elgin City(Ward#6), Kane Co., IL, ED#72, p13B/220B, frame 26/30, taken 28 Apr.

1910, age 38, marr 17 yrs, imm 1887[wife is shown as 1882{John Immigrated to USA in 1884 so his is WRONG}], Butcher in Packing House

1920 Census, #524 South State Sreet, Elgin City, Kane Co., IL, ED#89, p6B/200B, frame 12/14, taken 5 Feb. 1920, age 49

1930 Census,(524 South State Street) Elgin Twp., Kane Co., IL, ED#74, p5B/75B, frame 10/21, taken 7 Apr. 1930, age 58

1940 Census,(534 South State Street), Elgin City, Elgin Twp., Kane Co., IL, ED#45-89, SD#11, p9B/448B, frame 18/28, taken 13 Apr `1940, age 69, grade 8 education

Buried in Bluff City Cemetery, Elgin, IL, Lot 46 gr #7. Location of grave W-1 S-2 1/2.

Worked for the Kerber Packing Co., Elgin, IL, from 1889-Jan 31, 1951,. Was Plant superintenet for the last 40 year of his work with the Company.(Source: Elgin,IL, Courier-News, Feb 1, 1951)

<a href="https://freepages.rootsweb.com/~aek740/genealogy/John%20Krause.jpg"> Article from Courier-News. </a>

Notes for Wilhelmina 'Minnie' Karsten:

---

### Generation 3 (cont.)

Buried Bluff City Cemetery, Elgin, IL, Lot 46 section 16 location of grave W-1 S-9.

Ref:

1900 Census, Elgin Twp., Kane Co., IL, ED#90, p1A/329A, frame 1/30, taken 16 June 1900, age 27(Nov 1882), m 7 yrs, 3 children, 3 living

1910 Census, Elgin City(Ward#6), Kane Co., IL, ED#72, p13B/220B, frame 26/30, taken 28 Apr.

1910, age 37, m 17 yrs, 4 children, 4 living, imm 1882. NOTE: In the same home is a William Karsten, age 25, Brother-in-Law

1920 Census, #524 South State Sreet, Elgin City, Kane Co., IL, ED#89, p6B/200B, frame 12/14, taken 5 Feb. 1920, age 47

1930 Census,(524 South State Street) Elgin Twp., Kane Co., IL, ED#74, p5B/75B, frame 10/21, taken 7 Apr. 1930, age 56

1940 Census,(534 South State Street), Elgin City, Elgin Twp., Kane Co., IL, ED#45-89, SD#11, p9B/449B, frame 18/28, taken 13 Apr `1940, age 67. grade 8 education

Marriage Notes: (Wilhelmina 'Minnie')

Wilhelmina Kasten in the Illinois, U.S., County Marriage Records, 1800-1940

Illinois, U.S., County Marriage Records, 1800-1940

Name: Wilhelmina Kasten [Wilhelmine Kasten]

Gender: Female

Age: 19

Birth Year: abt 1874

Marriage Date: 18 May 1893

Marriage Place: Kane, Illinois, USA

Father: Friedrich Kasten

Mother: Sophie Ganschow

Spouse: John Krause

John Krause in the Illinois, U.S., County Marriage Records, 1800-1940

Illinois, U.S., County Marriage Records, 1800-1940

Name: John Krause

Gender: Male

Age: 23

Birth Year: abt 1870

Marriage Date: 18 May 1893

Marriage Place: Kane, Illinois, USA

Father: John Krause

Mother: Wihelmine Krause

Spouse: Wilhelmina Kasten

John Krause Jr. and Wilhelmina 'Minnie' Karsten had the following children:

- +46. i. ELLA BERTHA<sup>8</sup> KRAUSE (daughter of John Krause Jr. and Wilhelmina 'Minnie' Karsten) was born on 21 July 1894 in Elgin, Kane Co., IL<sup>18</sup>. She died in July 1975 in Elgin, Kane Co., IL<sup>18</sup>. She married William Arthur Schneff between 1914-1915. He was born on 23 September 1894 in Cedar Rapids, Linn Co., IA<sup>12, 18</sup>. He died on 22 January 1985 in Elgin, Kane Co., IL<sup>18</sup>.
- +47. ii. IRENE EDNA KRAUSE (daughter of John Krause Jr. and Wilhelmina 'Minnie' Karsten) was born on 10 April 1896 in Elgin, Kane Co., IL. She died on 23 July 1982 in Elgin, Kane Co., IL. She married Frank W. Huckstedt (son of Theodore Huckstedt and Ricka ???) between 1923-1924. He was born on 31 August 1898 in Elgin, Kane Co., IL. He died in April 1962 in Elgin, Kane Co., IL.
48. iii. GLADYS M. KRAUSE (daughter of John Krause Jr. and Wilhelmina 'Minnie' Karsten) was born on 01 May 1899 in Elgin, Kane Co., IL<sup>1, 18</sup>. She died in December 1989<sup>1, 18</sup>. She married (1) RALPH J. KLEIN after 1945. He was born on 01 June 1892 in Chicago, Cook Co., IL<sup>1, 12, 15, 18</sup>. He died in July 1967 in Elgin, Kane Co., IL<sup>1, 18</sup>. She married (2) WILLIAM KING CLOW JR. (son of William K. Clow Sr. and Annie Grierson) between 1940-1941. He was born on 02 March 1895 in Dumbarton, Dumbartonshire, Scotland<sup>1</sup>. He died on 18 June 1945 in Elgin, Kane Co., IL<sup>1</sup>.

---

### Generation 3 (cont.)

Notes for Gladys M. Krause:

Ref:

1900 Census, Elgin Twp., Kane Co., IL, ED#90, p1A/329A, frame 1/30, taken 16 June 1900, age 1(May 1899)

1910 Census, Elgin City(Ward#6), Kane Co., IL, ED#72, p13B/220B, frame 26/30, taken 28 Apr. 1910, age 11

1920 Census, #524 South State Sreet, Elgin City, Kane Co., IL, ED#89, p6B/200B, frame 12/14, taken 5 Feb. 1920, age 20

1930 Census (checked Dist 67, 68, 69, and 70 and found nobody by the name of Gladys Krause or address of 335 Commonwealth)

1940 Census, #335 N. Commonwealth Ave., Eligin, Kane Co., IL, ED# 45-69, p62A/1077A, family#89, frame 29/30, taken 26 Apr 1940, age 40, occ: Clerk in Dept. Store, lived same place in 1935

45-69 ELGIN TOWNSHIP, ELGIN CITY BOUNDED BY (N) CITY LIMITS; (E) FOX RIVER; (S) LAWRENCE AV; (W) COMMONWEALTH AV, WING, CITY LIMITS

Elgin City Directory, 1941-1942

Gladys Krause, #335 N. Commonwealth Ave, employee: Spiess

Elgin City Directory, 1941, 1943-1944:

William K. Clow, Jr. is in the same house as Gladys Krause at #335 N.

Commonwealth Ave., Elgin, Kane Co., IL

Name: Gladys Klein

SSN: 330-03-0631

BORN: 1 May 1899

Died: Dec 1989

State (Year) SSN issued: Illinois (Before 1951)

From Find a Grave:

Gladys Krause Klein

Birth: 1899

Death: 1989

Burial:

Bluff City Cemetery, Elgin, Cook County, Illinois, USA

Plot: Section 16

Created by: BobH

Record added: Aug 28, 2014

Find A Grave Memorial# 134988527

Notes for Ralph J. Klein:

From Find a Grave:

Ralph J Klein

Birth: 1892

Death: 1967

Burial:

Bluff City Cemetery, Elgin, Cook County, Illinois, USA

Plot: Section 9

GPS (lat/lon): 42.01705, -88.25565

Created by: BobH

Record added: Oct 10, 2012

Find A Grave Memorial# 98628137

---

---

### Generation 3 (cont.)

Notes for William King Clow Jr.:

Ref:

1930 Census, Milwaukee, Milwaukee Co., WI, ED#191, p3A/24A, family#8, frame 5/56, taken 3 Apr 1930, age 35, first marr age 29, imm 1899

1940 Census, Elgin, Kane Co., IL, ED#45-76, p61A/1224A, family#??, frame 31/34, taken age 45, lodger, in home of Charles Schamback

Name:

William K. Clow

Birth Date: 2 Mar 1895

Birth Place: Dumbarton, Scotland

Death Date: 18 Jun 1945

Death Place: Elgin, Kane, Illinois

Burial Date: 21 Jun 1945

Burial Place: Elgin, Cook, Illinois

Cemetery Name: Bluff City

Death Age: 50

Occupation: Price Estimator

Race: White

Marital Status: M

Gender: Male

Residence: Elgin, Kane, Illinois

Father Name: William K. Clow

Father Birth Place: Dumbarton, Scotland

Mother Name: Annie Grierson

Mother Birth Place: Dumbarton, Scotland

Spouse Name: Gladys Clow

Comments: Jr.

FHL Film Number: 1984188

Name: Gladys Krause Clow

Gender: Female

Residence Year: 1943

Residence Place: Elgin, Illinois, USA

Spouse: William K Clow Publication Title: Elgin, Illinois, City Directory, 1943

49. iv. WALTER FRED KRAUSE (son of John Krause Jr. and Wilhelmina 'Minnie' Karsten) was born on 18 March 1901 in Elgin, Kane Co., IL<sup>1, 12, 18, 28</sup>. He died on 09 July 1982 in Clearwater, Pinellas Co., FL<sup>1, 18</sup>. He married (1) EVA ??? between 1925-1926 in IL. She was born on 06 February 1903 in OH. She died in April 1966 in Elgin, Kane Co., IL. He married (2) YVONNE EVANGELINE BERGERON (daughter of Ivan R. Bergeron and Beatrice Coffey) about March 1971. She was born on 03 March 1918 in Momence, Kankakee Co., IL<sup>18, 35</sup>. She died on 11 July 1986 in Clearwater, Pinellas Co., FL<sup>18</sup>.

Notes for Walter Fred Krause:

In 1951 Walter Krause was foreman of the curing room at the Kerber Packing Co., Elgin, IL. (Source: Elgin Courier-news Feb. 1, 1951)

Ref:

1910 Census, Elgin City(Ward#6), Kane Co., IL, ED#72, p13B/220B, frame 26/30, taken 28 Apr. 1910, age 9

1920 Census, #524 South State Sreet, Elgin City, Kane Co., IL, ED#89, p6B/200B, frame 12/14, taken 5 Feb. 1920, age 19

1930 Census,(531 South State Street) Elgin Twp., Kane Co., IL, ED#74, p7B/77B, frame 14/21, taken 9 Apr. 1930, age 29, first marr age 24

---

### Generation 3 (cont.)

1940 Census,(531 South State Street), Elgin City, Elgin Twp., Kane Co., IL, ED#45-89, SD#11, p9A/449A, frame 17/28, taken 12 Apr ` 1940, age 39

Notes for Eva ???:

Ref:

1930 Census,(531 South State Street) Elgin Twp., Kane Co., IL, ED#74, p7B/77B, frame 14/21, taken 9 Apr. 1930, age 27, first marr age 22, b OH, both parents b PA  
1940 Census,(531 South State Street), Elgin City, Elgin Twp., Kane Co., IL, ED#45-89, SD#11, p9A/449A, frame 17/28, taken 12 Apr ` 1940, age 37, b OH

9. **CAROLINE 'CARRIE' JOHANNA<sup>7</sup> KRAUSE** (Johann 'John'<sup>6</sup> Sr., Gggf<sup>5</sup>, ?-A<sup>4</sup>, Branch-One-A<sup>3</sup>, Haplogroup-I2a-F3744-Positive<sup>2</sup>, Schlochau-Branches<sup>1</sup>) was born on 01 March 1873 in Mauersehn, Kreis Marien Werder, East Prussia( Germany). She died on 25 September 1950 in Elgin, Kane Co., IL<sup>13</sup>. She married William H. Knickrehm (son of Hans Heinrich Wilhelm Knickrehm and Charlotte Justine Rose) on 07 June 1888 in Elgin, Kane Co., IL<sup>10</sup>. He was born on 21 October 1863 in Shaumberg-Lippe, Germany. He died on 18 March 1944 in Elgin, Kane Co., IL.

Notes for Caroline 'Carrie' Johanna Krause:

Place of birth would indicate East Prussia near the border with West Prussia. This area is directly east of Kr. Schlochau in West Prussia.

Ref:

1910 Census, Elgin City(Ward#6), Kane Co., IL, ED#72, p15A/222A, frame 29/30, taken 29-30 Apr. 1910, age 37, m 22 yrs, 6 children, 6 living  
1930 Census, Elgin City, Elgin Twp., Kane Co., IL, ED#73, p7A/64A, frame 13/26,taken 8 Apr 1930, age 57, first marr age 15, imm 1884

Notes for William H. Knickrehm:

Ref:

1880 Census, Schaumburg Twp., Cook Co., IL, ED#222(#223 on film), p405, frame 22/34, taken 28 June 1880, age 16  
1910 Census, Elgin City(Ward#6), Kane Co., IL, ED#72, p15A/222A, frame 29/30, taken 29-30 Apr. 1910, age 46  
1920 Census, Elgin City, Elgin Twp., Kane Co, IL, District 89, p3B, Image 397, frame 6/14  
1930 Census, Elgin City, Elgin Twp., Kane Co., IL, ED#73, p7A/64A, frame 13/26,taken 8 Apr 1930, age 66, first marr age 24, imm 1880

Relationship Notes for William H. Knickrehm and Caroline 'Carrie' Johanna Krause:

Witnesses: Augusta Krause & Ernest Knickrehm.

William H. Knickrehm and Caroline 'Carrie' Johanna Krause had the following children:

- +50. i. **WILLIAM H.<sup>8</sup> KNICKREHM** (son of William H. Knickrehm and Caroline 'Carrie' Johanna Krause) was born on 04 May 1889 in Elgin, Kane Co., IL. He died on 31 July 1952. He married (1) **LYDIA MAE HUTCHINSON** on 10 February 1909 in Kane Co., IL. She was born on 24 September 1890 in Crystal Lake, McHenry Co., IL. She died on 11 April 1985 in Elgin, Kane Co., IL. He married (2) **ANNA ANDREASON**. She was born in 1889. She died on 19 July 1952.
51. ii. **ANNA M. KNICKREHM** (daughter of William H. Knickrehm and Caroline 'Carrie' Johanna Krause) was born on 24 December 1890 in St. James, Watonwan Co., MN. She died on 11 March 1973 in Elgin, Kane Co., IL. She married (1) ??? **SENFT**. She married (2) **LEWIS WILLIAM BULL** (son of August Bull) on 30 May 1940 in Davenport, Scott Co., IA. He was born on 12 February 1884 in Bartlett, IL. He died on 18 April 1957 in Elgin, Kane Co., IL.

Notes for Anna M. Knickrehm:

Ref:

1910 Census, Elgin City(Ward#6), Kane Co., IL, ED#72, p15A/222A, frame 29/30, taken 29-30 Apr. 1910, age 19



---

### Generation 3 (cont.)

- 1930 Census, Elgin City, Elgin Twp., Kane Co., IL, ED#73, p7A/64A, frame 13/26,taken 8 Apr 1930, age 39, single
- +52.   iii.   EMMA BERTHA KNICKREHM (daughter of William H. Knickrehm and Caroline 'Carrie' Johanna Krause) was born on 13 July 1892 in St. James, Watonwan Co., MN. She died on 13 August 1935 in Chicago, Cook Co., IL. She married Lewis William Bull (son of August Bull) on 22 January 1918 in Kane Co., IL. He was born on 12 February 1884 in Bartlett, IL. He died on 18 April 1957 in Elgin, Kane Co., IL.
53.    iv.    JOHN KNICKREHM (son of William H. Knickrehm and Caroline 'Carrie' Johanna Krause) was born on 21 April 1894. He died on 21 April 1912.

Notes for John Knickrehm:

Ref:

1910 Census, Elgin City(Ward#6), Kane Co., IL, ED#72, p15A/222A, frame 29/30, taken 29-30 Apr. 1910, age 16

- +54.   v.    CLARA G. KNICKREHM (daughter of William H. Knickrehm and Caroline 'Carrie' Johanna Krause) was born on 05 February 1898 in Elgin, Kane Co., IL<sup>36</sup>. She died on 15 February 1940 in Rockford, Winnebago Co., IL<sup>36</sup>. She married Henry Hansing before 1924. He was born on 10 February 1898 in Marengo, McHenry Co., IL<sup>36</sup>. He died on 25 August 1984 in Rockford, Winnebago Co., IL<sup>36</sup>.
55.    vi.    HARRY JOHN KNICKREHM (son of William H. Knickrehm and Caroline 'Carrie' Johanna Krause) was born on 21 August 1899 in IL. He died on 17 August 1985 in Elgin, Kane Co., IL. He married Vera B. Christie on 23 September 1922. She was born on 04 February 1896 in IL. She died in May 1983 in Elgin, Kane Co., IL.

Notes for Harry John Knickrehm:

Ref:

1910 Census, Elgin City(Ward#6), Kane Co., IL, ED#72, p15A/222A, frame 29/30, taken 29-30 Apr. 1910, age 10

1930 Census, Elgin City, Elgin Twp., Kane Co., IL, ED#73, p7A/64A, frame 13/26,taken 8 Apr 1930, age 31, first marr age 25

Notes for Vera B. Christie:

Ref:

1930 Census, Elgin City, Elgin Twp., Kane Co., IL, ED#73, p7A/64A, frame 13/26,taken 8 Apr 1930, age 33, first marr age 27

11.   **CARL 'CHARLIE' GUSTAV WILLIAM<sup>7</sup> KRAUSE** (Johann 'John'<sup>6</sup> Sr., Gggf<sup>5</sup>, ?-A<sup>4</sup>, Branch-One-A<sup>3</sup>, Haplogroup-I2a-F3744-Positive<sup>2</sup>, Schlochau-Branches<sup>1</sup>) was born on 29 March 1880 in Friedrichshof, Kreis Schlochau, West Prussia. He died on 17 February 1961 in Moose Jaw, SK<sup>17</sup>. He married Alvina Otilia Zilke (daughter of August Zielke and Emilia Ottelia Sparman) on 22 December 1908 in Souris, Bottineau Co., ND. She was born on 07 December 1891 in Sleepy Eye, Brown Co., MN<sup>17</sup>. She died on 20 September 1973 in Moose Jaw, SK<sup>17</sup>.

Notes for Carl 'Charlie' Gustav William Krause:

<a target="\_blank" href="http://freepages.genealogy.rootsweb.com/~aek740/608.jpg">Photo of Charlie & Alvina Krause, 50th Wedding Anniversary, Dec. 1958 </a>

Ref:

1895 Census, Nelson Twp., Watonwan Co., MN, p25, age 15, name: Carl

1900 Census, Nelson, Twp., Watonwan Co., MN, ED#265, p57A/3A, frame 5/17, taken 5 June 1900, age 20

1911 Census, Twp 18, Rge. 2, W3, SK, ED#211(Moose Jaw), Sub-dist 23, p5, taken 1-4 June 1911,age 31

1921 Census, RM Wheatlands #163, Swift Current, SK, Dist 228, ED#41, p5A, family#55, frame 6/10, taken 14-21 June 1921, age 41, imm 1908, nat 1911, name: Charles Krause

1926 Census, Wheatlands RM, MooseJaw Dist, SK, Dist 27-35, p4, family#45, age 46, living on SE 34, 18, 2, W3., name: Charles. NOTE:: In the same household there is a female by the name of Margaret Brown, age 21, boarder, b Ontario, both parents b Ontario.

---

---

### Generation 3 (cont.)

The only document that I had that showed where my grandfather, Carl Gustav William Krause, was born was a [Nonresident Alien's Border crossing Identification Card.](https://freepages.rootsweb.com/~aek740/genealogy/116.jpg)

Many people are having great difficulty finding the place where Carl Gustav William Krause was from, according to the Hamburg Ship List. The following link shows a section of a map (GrosBlatt 40 Neustettin - Flatow) and GrosBlatt 41 where the two maps join.

[Map section showing where Branch-One-A](https://freepages.rootsweb.com/~aek740/genealogy/Schlochau.jpg) was from in West Prussia. The small circular dots with 518 is for the descendants of Johann Krause and 517 for Herman Krause. The other dots are for different Krause families who have proven to be DNA-cousins after 37-Marker Y-Chromosome tests were done on living male descendants of their lines.

Another link with several other maps that show where the [Branch-One Krause Roots](https://freepages.rootsweb.com/~aek740/genealogy/B01-Krause.htm) came from in West Prussia may further aid those who are having difficulty in finding this area. Just click on the icon on the right side to view the map or document. The maps included in this summary include the one in the link shown above.

One item that helped me in my search for my Krause ancestry is a bit convoluted but gave an essential piece of information. My grandfather, when asked the name of his father, did not know his name but remembered an Uncle John who had moved away to another state and was never heard from again. When my grandfathers older sister was married, her marriage documents shows that Johann/John Krause was her father. The person who moved to a different state was Herman Krause and his family. Both Herman and my grandfather with his mother and her second husband, Hans Heinrich Wilhelm Knickrehm moved in 1887 to different states, Herman to Wisconsin and Henry Knickrehm to Minnesota and that is how they lost touch with each other. The essential piece of information here was that Herman and John were brothers. Autosomal DNA testing has shown that according to the amount of shared DNA for the descendants of Herman and John, they may have been half-brothers. It is being assumed that they were full brothers.

When my grandfather was asked if there were any Krause relatives that stayed in Germany, he stated that they were coming to America but the ship sunk at sea and all were lost. Hearing this, you didn't ask any more questions.

Ex-Parkbeg man passes MOOSE JAW (Staff) -Charles Krause, 80, of 867 Fifth avenue northwest and formerly of the Parkbeg district, died in hospital here Friday. Funeral service was to be held in Emmanuel Lutheran church Tuesday, followed by a further service at Bethany church and burial in Bethany cemetery, in the Parkbeg district. Mr. Krause was born in Germany and moved to the United States in 1884. He moved to Saskatchewan in 1907, taking up farming northeast of Parkbeg, and later took up a homestead in the Parkbeg district where he farmed until retiring to Moose Jaw in 1943. He was a member of Emmanuel Lutheran church and was councillor of the RM of Wheatlands No. 163 for several years; trustee of the Elton school district for several years and treasurer of St. Johns Lutheran church at Parkbeg for 18 years. He is survived by his wife; a daughter, Mrs. A. Smart; and two sons, Edwin and Albert, Parkbeg district; nine grandchildren and four great-grandchildren.

Notes for Alvina Otilia Zilke:

Ref:

1900 Census, Willow Lake Twp., Redwood Co., MN, ED#246, p163A/2A, frame 3/13, taken 6 June 1900, age 7(Dev 1892)

1911 Census, Twp 18, Rge. 2, W3, SK, ED#211(Moose Jaw), Sub-dist 23, p5, taken 1-4 June 1911, age 19

1921 Census, RM Wheatlands #163, Swift Current, SK, Dist 228, ED#41, p5A, family#55, frame 6/10, taken 14-21 June 1921, age 30, imm 1909, nat 1911, name: Alvina Ottelia

1926 Census, Wheatlands RM, MooseJaw Dist, SK, Dist 27-35, p4, family#45, age 34, name: Alvina

---

### Generation 3 (cont.)

Carl 'Charlie' Gustav William Krause and Alvina Otilia Zilke had the following children:

- +56. i. EDWIN HENRY<sup>8</sup> KRAUSE (son of Carl 'Charlie' Gustav William Krause and Alvina Otilia Zilke) was born on 05 June 1911 in 34-18-2 W3, (Thunder Creek P.O.) , Parkbeg, SK. He died on 19 January 2003 in Moose Jaw, SK<sup>17</sup>. He married Hilda Annie Andrews (daughter of Horace Charles Andrews and Annie Laurie Martins-Coe) on 01 January 1938 in 34-18-2 W3 Thunder Creek P.O. , Parkbeg, Sask. She was born on 28 July 1919 in 17-16-29 W2, Caron Municipality, SK<sup>26-27</sup>. She died on 30 June 2008 in Moose Jaw, SK.
  - +57. ii. ANNIE AMELIA CAROLINE KRAUSE (daughter of Carl 'Charlie' Gustav William Krause and Alvina Otilia Zilke) was born on 20 May 1913 in 34-18-2 W3 Thunder Creek P.O. , Parkbeg, Sask. She died on 15 May 2000 in Moose Jaw, SK. She married (1) WALTER WINKLER (son of Rudolf Gottlieb Winkler and Rosalinda Juliana Parine) on 08 January 1933 in 34-18-2 W3 Thunder Creek P.O. , Parkbeg, Sask. He was born on 29 August 1903 in Zell, Zurich, Switzerland. He died on 27 August 1982 in Moose Jaw, Saskatchewan, Canada. She married (2) ALLISTER HUMPHREY SMART (son of Herbert Johnson Smart and Lillies Love Humphrey) in 1950 in ?. He was born on 10 November 1916 in Tugaske, Saskatchewan. He died on 20 July 2001 in Moose Jaw, SK. She married (3) WILLIAM ALLAN PARSONS in 1980. He was born on 08 April 1912 in Stoughton, Saskatchewan<sup>17</sup>. He died on 23 January 1993 in Moose Jaw, Saskatchewan, Canada<sup>17</sup>.
  - +58. iii. ALBERT CARL KRAUSE (son of Carl 'Charlie' Gustav William Krause and Alvina Otilia Zilke) was born on 25 August 1915 in 34-18-2 W3 Thunder Creek P.O. , Parkbeg, Sask. He died on 31 August 1999 in Moose Jaw, SK. He married Annetta Viola Zilkie (daughter of Adolph William Zilke and Emma Sophie Fennern) on 11 September 1938 in 34-18-2 W3 Thunder Creek P.O. , Parkbeg, Sask. She was born on 02 July 1914 in Westhope, Bottineau Co., North Dakota, U.S.A.. She died on 25 March 2000 in Moose Jaw, SK.
12. **HULDA WILHELMINE<sup>7</sup> KRAUSE** (Johann 'John'<sup>6</sup> Sr., Gggf<sup>5</sup>, ?-A<sup>4</sup>, Branch-One-A<sup>3</sup>, Haplogroup-I2a-F3744-Positive<sup>2</sup>, Schlochau-Branches<sup>1</sup>) was born on 02 May 1883 in Friedrichshof, Kreis Schlochau, West Prussia. She died on 13 December 1943 in Velva, McHenry Co., ND. She married (1) **FRANK HENRY LORENZ** (son of Joseph J. Lorenz and Amelia 'Emily Mollie' Meier) on 21 July 1898 in St. James, Watonwan Co., MN<sup>19</sup>. He was born on 15 September 1878 in Huntley, McHenry Co., IL. He died on 19 November 1934 in Minot, Ward Co., ND. She married (2) **RUDOLPH BATKE** between 04 July 1935-1937. He was born on 20 October 1890 in Russia<sup>18</sup>. He died in October 1985<sup>18</sup>.

Notes for Hulda Wilhelmine Krause:

NOTE:: Ship-list shows her age as 11 months as of 1884 so her birth would have been 1883 and not 1884

Ref:

1895 Census, Nelson Twp., Watonwan Co., MN, p25, age 12

1900 Census, Rosendale Twp., Watonwan Co., MN, ED#268, p2A/79A, family#28, frame 3/12, taken 5 June 1900, age 17(May 1883), marr 1 yr.1 child, 1 living, imm 1884

1910 Census, Brilliance, Ward Co., ND, ED#176, p4A/47A, family#28, frame 5/10, taken 20 Apr 1910, age 11

1920 Census, Brillian Twp.(T152, R81), Ward Co., ND, ED#215, p12B/236B, frame 6/7, taken 12-15 Feb. 1920, age 36

1930 Census, Brillian Twp.(T152, R81), Ward Co., ND, ED#6, p2B/20B, frame 4/9, taken 10 Apr. 1930, age 46

Notes for Frank Henry Lorenz:

Ref:

1880 Census, Dundee, Kane Co., IL, ED#82, p15/254C, family#114, frame 47/55, taken 23 June 1880, age 1, name: Frank

---

### Generation 3 (cont.)

1900 Census, Rosendale Twp., Watonwan Co., MN, ED#268, p2A/79A, family#28, frame 3/12, taken 5 June 1900, age 20(Sept 1879), marr 1 yr  
1910 Census, Brilliance, Ward Co., ND, ED#176, p4A/47A, family#28, frame 5/10, taken 20 Apr 1910, age 32, marr 11 yrs  
1920 Census, Brillian Twp.(T152, R81), Ward Co., ND, ED#215, p12B/236B, frame 6/7, taken 12-15 Feb. 1920, age 42  
1930 Census, Brillian Twp.(T152, R81), Ward Co., ND, ED#6, p2B/20B, frame 4/9, taken 10 Apr. 1930, age 51

Relationship Notes for Frank Henry Lorenz and Hulda Wilhelmine Krause:

Minnesota, Marriages Index, 1849-1950

about Hulda Krause Name: Hulda Krause

Gender: Female

Marriage Date: 21 Jul 1898

Marriage Place: St James, Watonwan, Minnesota

Spouse's Name: Frank Lorenz

Spouse Gender: Male

Event Type: Marriage

FHL Film Number: 1638097

Frank Henry Lorenz and Hulda Wilhelmine Krause had the following children:

- +59. i. MINNIE B.<sup>8</sup> LORENZ (daughter of Frank Henry Lorenz and Hulda Wilhelmine Krause) was born on 16 December 1898 in St. James, Watonwan Co., MN. She died on 29 August 1987 in St. James, Watonwan Co., MN.. She married Walter Clarence Lange (son of John F. Lange and Ella Mische) on 06 May 1917 in St.James, Watonwan, MN. He was born on 08 October 1894 in Nelson Twp., MN., USA<sup>18</sup>. He died in May 1974 in St.James, Watonwan, MN<sup>18</sup>.
- +60. ii. WILLIAM CARL F. LORENZ (son of Frank Henry Lorenz and Hulda Wilhelmine Krause) was born on 26 December 1900 in St. James, Watonwan Co., MN<sup>18</sup>. He died in September 1978 in Velva, McHenry Co., ND<sup>18</sup>. He married Martha Marie Krueger (daughter of Adolph Krueger and Emilia 'Amelia' Henke) in 1924. She was born on 03 January 1906 in Max, McLean Co., ND<sup>18</sup>. She died on 23 February 2001 in Velva, McHenry Co., ND<sup>18</sup>.
- +61. iii. GLADYS HELEN LORENZ (daughter of Frank Henry Lorenz and Hulda Wilhelmine Krause) was born on 21 January 1903 in St. James, Watonwan Co., MN. She died on 26 March 1992 in Sawyer, Ward Co., ND. She married Frank B. Fuller on 08 February 1923 in Minot, Ward Co., ND. He was born on 08 February 1898 in Wheaton, Traverse Co., MN<sup>18</sup>. He died on 10 September 1980 in Sawyer, Ward Co., ND<sup>18</sup>.
- +62. iv. FRANK EDWARD ERNEST LORENZ (son of Frank Henry Lorenz and Hulda Wilhelmine Krause) was born on 06 January 1905 in St. James, Watonwan Co., MN<sup>18</sup>. He died on 05 May 1973 in Benedict, McLean Co., ND<sup>18</sup>. He married Gerda Viola Henke (daughter of Adolf Henke and Anna Teoffile Klinner) on 02 May 1930 in Sawyer, Ward Co., ND. She was born on 09 September 1911 in Newman Twp., Ward Co., ND<sup>18</sup>. She died on 27 May 1992 in Minot, Ward Co., ND<sup>18</sup>.
- +63. v. EDWARD FRED CARL LORENZ (son of Frank Henry Lorenz and Hulda Wilhelmine Krause) was born on 29 May 1907 in St. James, Watonwan Co., MN. He died on 26 March 1970 in Minot, Ward Co., ND. He married BETTE BULTER. She was born on 22 December 1919 in Velva, McHenry Co., ND. She died on 25 May 1970 in Minot, Ward Co., ND.
- +64. vi. HILDA H. LORENZ (daughter of Frank Henry Lorenz and Hulda Wilhelmine Krause) was born on 16 September 1909 in St. James, Watonwan Co., MN. She died in November 1961. She married Gustav A. Krueger (son of Adolph Krueger and Emilia 'Amelia' Henke) between 1926-1927. He was born on 17 August 1904 in ND<sup>18</sup>. He

---

### Generation 3 (cont.)

- died in March 1980 in IL<sup>18</sup>.
- +65. vii. WALTER HENRY LORENZ (son of Frank Henry Lorenz and Hulda Wilhelmine Krause) was born on 08 March 1912 in Sawyer, Ward Co., ND. He died on 17 January 1997 in Madelia, Watonwan Co., MN. He married Marguerite Bloomquist on 01 July 1945 in St. James, Watonwan Co., MN. She was born date Unknown in ?. She died on Dead.
- +66. viii. EVA MARTHA LORENZ (daughter of Frank Henry Lorenz and Hulda Wilhelmine Krause) was born on 19 November 1914 in Sawyer, Ward Co., ND<sup>18</sup>. She died on 05 April 2006 in Tillamook, Tillamook Co., OR<sup>18</sup>. She married Carl Lester Rawe (son of George Rawe and Alice J. ???) on 27 June 1936 in Minot, Ward Co., ND. He was born on 18 July 1916 in Solan Springs, WI<sup>18</sup>. He died on 08 January 1989 in Portland, OR<sup>18</sup>.
67. ix. IRENE LORENZ (daughter of Frank Henry Lorenz and Hulda Wilhelmine Krause) was born between 1915-1918 in ND. She died between 1915-1918 in ND.
68. x. ARNOLD M. LORENZ (son of Frank Henry Lorenz and Hulda Wilhelmine Krause) was born on 17 December 1916 in Sawyer, Ward Co., ND. He died in May 1981 in Minot, Ward Co., ND. He married HELEN ???. She died on Dead.

Notes for Arnold M. Lorenz:

Ref:

1920 Census, Brillian Twp.(T152, R81), Ward Co., ND, ED#215, p12B/236B, frame 6/7, taken 12-15 Feb. 1920, age 3 1/12

1930 Census, Brillian Twp.(T152, R81), Ward Co., ND, ED#6, p2B/20B, frame 4/9, taken 10 Apr. 1930, age 13

- +69. xi. ERVIN R. LORENZ (son of Frank Henry Lorenz and Hulda Wilhelmine Krause) was born on 04 June 1919 in ND. He died on Dead. He married HENRIETTA ???. She died on Dead.

Notes for Rudolph Batke:

Ref:

1920 Census, Brillian Twp., Ward Co., ND, ED#215, p12B-13A/236B-237A, frame 6-7/7, taken 13 Feb. 1920, age 29

1930 Census, Brillian Twp.(T152, R81), Ward Co., ND, ED#6, p2B/20B, frame 4/9, taken 10 Apr. 1930, age 40

14. **THEODORE ALBERT<sup>7</sup> NATZEL** (Wilhelmina 'Minnie'<sup>6</sup> Krause, Gggf<sup>5</sup> Krause, Charles 'Karl', ?) was born on 24 September 1876 in Chicago, Cook Co., IL<sup>1</sup>. He died on 12 January 1940 in Norwood Park, Cook Co., IL<sup>1</sup>. He married Louisa Rauschert (daughter of Charles Rudolph Rauschert and Cecelia 'Celia' Muller) on 27 October 1897 in Chicago, Cook Co., IL<sup>8</sup>. She was born on 31 July 1879 in Armenia, Jeuneau Co., WI<sup>1</sup>. She died on 11 September 1936 in Chicago, Cook Co., IL<sup>1</sup>.

Notes for Theodore Albert Natzel:

Ref:

1880 Census, Chicago, Cook Co., IL, ED#163, p2B/194B, family#19, frame 2/66, taken 1 June 1880, age 4

1910 Census, Chicago(Ward#22), Cook Co., IL, ED#947, p14A-B/142A-B, family#295, frame 27-28/42, taken 29 Apr 1910, age 34, marr 12 yrs

Theodore Natzel in the Illinois, Deaths and Stillbirths Index, 1916-1947 Illinois, Deaths and Stillbirths Index, 1916-1947 No Image

Name: Theodore Natzel

Birth Date: 24 Sep 1876

Birth Place: Chicago, Illinois

Death Date: 12 Jan 1940

Death Place: Norwood Park, Cook, Illinois

---

### Generation 3 (cont.)

Burial Date: 16 Jan 1940  
Burial Place: Chicago, Cook, Illinois  
Death Age: 63  
Occupation: Tannery Shaver  
Race: White  
Marital Status: W  
Gender: Male  
Residence: Chicago, Cook, Illinois  
Father Birth Place: Berlin, Germany  
Mother Birth Place: Germany  
Spouse Name: Louise  
FHL Film Number: 1831898

#### Obituary:

Chicago Tribune (IL) ; January 14, 1940  
NATZEL

--Theodore Natzel of 2924 Lyndale avenue, husband of the late Louise Natzel, father of Albert, Elsie, Clara and Ottilia. Funeral at chapel, 736 W. North avenue, Tuesday, Jan. 16, at 2 p.m. Interment St. Lucas'.

#### Notes for Louisa Rauschert:

##### Ref:

1910 Census, Chicago(Ward#22), Cook Co., IL, ED#947, p14A-B/142A-B, family#295, frame 27-28/42, taken 29 Apr 1910, age 30, marr 12 yrs, 4 children. 4 living( very light, may not be correct!!!!)

Louise Natzel in the Illinois, Deaths and Stillbirths Index, 1916-1947 Illinois, Deaths and Stillbirths Index, 1916-1947 No Image

Name: Louise Natzel

[Louise Rauschat]

Death Date: 11 Sep 1936  
Death Place: Chicago, Cook, Illinois  
Gender: Female  
Father Name: Charles Rauschat  
Mother Name: Celia Smith  
Spouse Name: Theodore  
FHL Film Number: 1927011

#### Relationship Notes for Theodore Albert Natzel and Louisa Rauschert:

Name Theodore Natzen  
Age 22  
Birth Year (Estimated) 1875  
Birth Date 1875  
Spouse's Name Louise Raucher  
Spouse's Age 18  
Spouse's Birth Year (Estimated) 1879  
Spouse's Birth Date 1879  
License Type Marriage  
Event Date 27 Oct 1897  
Event Place Chicago, Cook, Illinois

Theodore Albert Natzel and Louisa Rauschert had the following children:

- +70. i. ELSIE FLORENCE<sup>8</sup> NATZEL (daughter of Theodore Albert Natzel and Louisa Rauschert) was born on 04 January 1899 in Chicago, Cook Co., IL. She died on

---

### Generation 3 (cont.)

- Dead. She married Harry H. Slawson (son of William Slawson) on 05 November 1915 in Chicago, Cook Co., IL. He was born on 09 January 1894 in Chicago, Cook Co., IL. He died on 22 June 1945 in Chicago, Cook Co., IL.
71. ii. FREDERICK NATZEL (son of Theodore Albert Natzel and Louisa Rauschert) was born in 1901 in Chicago, Cook Co., IL<sup>1</sup>. He died in 1902 in Chicago, Cook Co., IL<sup>1</sup>.
- +72. iii. CLARA STELLA NATZEL (daughter of Theodore Albert Natzel and Louisa Rauschert) was born on 21 February 1904 in Chicago, Cook Co., IL<sup>30</sup>. She died on 16 March 1996 in Wheathead, Jasper Co., IN<sup>30</sup>. She married (1) LEROY PETER TYRE (son of Paris Sylvester Tyre and Nancy Janie 'Jennie' Artrip) before 1924. He was born on 10 February 1904 in IN. He died on 16 January 1963 in Porter Co., IN. She married (2) ? TYLER after 1963.
73. iv. NELLIE NATZEL (daughter of Theodore Albert Natzel and Louisa Rauschert) was born about 1907 in Chicago, Cook Co., IL. She died on Dead.
- Notes for Nellie Natzel:  
Ref:  
1910 Census, Chicago(Ward#22), Cook Co., IL, ED#947, p14A-B/142A-B, family#295, frame 27-28/42, taken 29 Apr 1910, age 3
- +74. v. OTELIA 'TILLIE' A. NATZEL (daughter of Theodore Albert Natzel and Louisa Rauschert) was born on 30 August 1908 in Chicago, Cook Co., IL. She died on 08 July 1990 in Palatine, Cook Co., IL. She married Oscar Rowlett on 01 September 1923 in Chicago, Cook Co., IL. He was born about 1903 in TN. He died on 16 March 1928 in Chicago, Cook Co., IL.
- +75. vi. ALBERT THEODORE NATZEL (son of Theodore Albert Natzel and Louisa Rauschert) was born on 12 September 1914 in Chicago, Cook Co., IL<sup>1</sup>. He died on 20 March 1984 in Melrose Park, Cook Co., IL<sup>1</sup>. He married Helen Beatrice Pytko on 06 March 1934 in Cook Co., IL. She was born on 15 February 1916 in IL<sup>1</sup>. She died on 27 November 1984 in Melrose Park, Cook Co., IL<sup>1</sup>.
15. **EMMA<sup>7</sup> NATZEL** (Wilhelmina 'Minnie'<sup>6</sup> Krause, Gggf<sup>5</sup> Krause, Charles 'Karl', ?) was born in May 1878 in Chicago, Cook Co., IL<sup>1</sup>. She died on 02 July 1945 in Chicago, Cook Co., IL<sup>1</sup>. She married William Christopher Coutre on 22 September 1896 in Chicago, Cook Co., IL. He was born on 22 October 1875 in Chicago, Cook Co., IL<sup>1</sup>. He died before 10 February 1956 in Chicago, Cook Co., IL<sup>1</sup>.

Notes for Emma Natzel:

Ref:

1880 Census, Chicago, Cook Co., IL, ED#163, p2B/194B, family#19, frame 2/66, taken 1 June 1880, age 2  
1900 Census, Chicago(Ward#20), Cook Co., IL, ED#632, p12A/148A, family#253, frame 23/28, taken 9 June 1900, age 23(May 1877), marr 3 yrs, 0 children, 0 living  
1910 Census, Chicago(Ward#23), Cook Co., IL, ED#999, p6A/178A, family#133, frame 11/45, taken 18 Apr 1910, age 32, marr 13 yrs, 1 child, 1 living  
1920 Census, Chicago(Ward#22), Cook Co., IL, ED#1247, p10B/273B, family#288, frame 20/24, taken 12 Jan 1920, age 43  
1930 Census, Chicago(Ward#43), Cook Co., IL, ED#16-1578, p23A/96A, frame 43/44, taken 29 Apr 1930, age 50, first marr age 16

Emma Cohtre  
in the Illinois, Deaths and Stillbirths Index, 1916-1947  
Illinois, Deaths and Stillbirths Index, 1916-1947 No Image  
Name: Emma Cohtre  
[Emma Natzel]  
Birth Date: 1877  
Birth Place: Chicago, Illinois  
Death Date: 2 Jul 1945  
Death Place: Chicago, Cook, Illinois

---

### Generation 3 (cont.)

Burial Date: 5 Jul 1945  
Burial Place: Chicago, Cook, Illinois  
Cemetery Name: Montrose  
Death Age: 68  
Occupation: House Wife  
Race: White  
Marital Status: M  
Gender: Female  
Residence: Chicago, Cook, Illinois  
Father Name: Charles Natzel  
Father Birth Place: Germany  
Spouse Name: William  
FHL Film Number: 1983365

Notes for William Christopher Coutre:

Ref:

1900 Census, Chicago(Ward#20), Cook Co., IL, ED#632, p12A/148A, family#253, frame 23/28, taken 9 June 1900, age 24(Oct 1875), marr 3 yrs  
1910 Census, Chicago(Ward#23), Cook Co., IL, ED#999, p6A/178A, family#133, frame 11/45, taken 18 Apr 1910, age 35, marr 13 yrs  
1920 Census, Chicago(Ward#22), Cook Co., IL, ED#1247, p10B/273B, family#288, frame 20/24, taken 12 Jan 1920, age 45  
1930 Census, Chicago(Ward#43), Cook Co., IL, ED#16-1578, p23A/96A, frame 43/44, taken 29 Apr 1930, age 56

Transcript

Chicago Tribune February 10, 1956 William C. Coutre of Wood River, Ill., beloved husband of the late Emma; fond father of Roy. Resting at funeral home, 736 W. North avenue. Services Saturday, Feb. 11, at 1:30 p.m. Interment Montrose.

Relationship Notes for William Christopher Coutre and Emma Natzel:

Emma Natzel in the Cook County, Illinois, Marriages Index, 1871-1920

Cook County, Illinois, Marriages Index, 1871-1920 No Image

Name: Emma Natzel

Age: 18

Gender: Female

Birth Year: abt 1878

Marriage Type: Marriage

Marriage Date: 22 Sep 1896

Marriage Place: Chicago, Cook, Illinois

Spouse Name: William K. Coutre

Spouse Age: 21

Spouse Gender: Male

FHL Film Number: 1030267

William Christopher Coutre and Emma Natzel had the following child:

76. i. ROY GEORGE<sup>8</sup> COUTRE (son of William Christopher Coutre and Emma Natzel) was born on 24 May 1901 in Chicago, Cook Co., IL. He died on 06 January 1962 in Edwardsville, IL. He married Anna Catherine Wurster on 22 November 1920 in Chicago, Cook Co., IL. She was born on 09 August 1906 in Racine, Racine Co., WI. She died on 24 May 1957 in Wood River, IL.

Notes for Roy George Coutre:

Ref:

1920 Census, Chicago(Ward#22), Cook Co., IL, ED#1247, p10B/273B, family#288, frame 20/24, taken 12 Jan 1920, age 18

1930 Census, Chicago(Ward#41), Cook Co., IL, ED#16-2826, p16B/151B,



---

### Generation 3 (cont.)

family#192, frame 24/36, taken 7 Apr 1930, age 30, first marr age 22, name: Roy G. Coutre  
1940 Census, Chicago(Ward#47), Cook Co., IL, ED#103-2977, p 4A/42623A, frame 7/34, taken 6-8 Apr 1940, age 41

Notes for Anna Catherine Wurster:

Ref:

1930 Census, Chicago(Ward#41), Cook Co., IL, ED#16-2826, p16B/151B, family#192, frame 24/36, taken 7 Apr 1930, age 26, first marr age 16  
1940 Census, Chicago(Ward#47), Cook Co., IL, ED#103-2977, p 4A/42623A, frame 7/34, taken 6-8 Apr 1940, age 36

Anna Catherine Wurster in the Wisconsin, Birth Index, 1820-1907

Name: Anna Catherine Wurster  
Birth Date: 9 Aug 1906  
Birth Place: Racine, Wisconsin, USA  
Reel: DEL  
Record: SEQ 702

Transcript

\*1957-05-24\*\*/Chicago Tribune (IL)/ \*COUTRE\*Edition: Chicago Tribune--Anna Katherine Coutre of Wood River, Ill., formerly of Chicago, beloved wife of Roy G. Service Friday, 2 p.m., at chapel, 5149-51 N. Ashland avenue, at Foster. Interment Montrose. LOngbeach 1-5147. Copyright 1957, Chicago Tribune. For permission to reprint, contact Chicago Tribune. Record Number: 19570524dn017

Relationship Notes for Roy George Coutre and Anna Catherine Wurster:

Roy Coutre in the Cook County, Illinois, Marriages Index, 1871-1920

Cook County, Illinois, Marriages Index, 1871-1920 No Image

Name: Roy Coutre  
Age: 23  
Gender: Male  
Birth Year: abt 1897  
Marriage Type: Marriage  
Marriage Date: 22 Nov 1920  
Marriage Place: Chicago, Cook, Illinois  
Spouse Name: Anna Wurster  
Spouse Age: 19  
Spouse Gender: Female  
FHL Film Number: 1030744

18. **TILLIE<sup>7</sup> NATZEL** (Wilhelmina 'Minnie'<sup>6</sup> Krause, Gggf<sup>5</sup> Krause, Charles 'Karl', ?) was born between 1883-1884 in Chicago, Cook Co., IL. She married Edward F. Coutre on 31 October 1903 in Chicago, Cook Co., IL. He was born on 03 August 1882 in Chicago, Cook Co., IL. He died on 04 March 1912 in Cook Co., IL.

Notes for Tillie Natzel:

Ref:

1910 Census, Chicago(Ward#23), Cook Co., IL, ED#999, p11A/183A, family#259, frame 21/45, taken 21 Apr 1910, age 26, marr 7 yrs, 1 child, 0 living  
1930 Census, Chicago(Ward#44), Cook Co., IL, ED#16-1632, p20B/223B, family#329, frame 34/35, taken 17 Apr 1930, age 45, widow

Notes for Edward F. Coutre:

Ref:

1910 Census, Chicago(Ward#23), Cook Co., IL, ED#999, p11A/183A, family#259, frame 21/45, taken 21 Apr 1910, age 27, marr 7 yrs

---

---

### Generation 3 (cont.)

Cook County, Illinois, Birth Certificates Index, 1871-1922

[View Record](#)

Name Coudre  
Birth Date 3 Aug 1882  
Birth Place Chicago, Cook, Illinois  
Gender Male  
Father Felix Coudre  
Mother Mary Alles  
FHL Film Number 1287824

Edward F. Coudre and Tillie Natzel had the following child:

77. i. CHILD<sup>8</sup> COUTRE (child of Edward F. Coudre and Tillie Natzel) was born between 1903-1910. Child died between 1903-1910.
20. **LOUISE ELIZABETH<sup>7</sup> NATZEL** (Wilhelmina 'Minnie'<sup>6</sup> Krause, Gggf<sup>5</sup> Krause, Charles 'Karl', ?) was born on 24 November 1889 in Chicago, Cook Co., IL<sup>18</sup>. She died on 13 April 1974 in Chicago, Cook Co., IL<sup>18</sup>. She married August Seidelmann (son of John Seidelmann and Anna Laplanche) on 18 February 1911 in Kane Co., IL. He was born on 25 August 1888 in Aurora, DuPage Co., IL<sup>12, 15</sup>. He died on 23 September 1947 in Chicago, Cook Co., IL.

Notes for Louise Elizabeth Natzel:

Ref:

1930 Census, Elmwood Park Village, Leyden Twp., Cook Co., IL, ED#16-2909, p 8A/107A, family#197, frame 15/39, taken 7 Apr 1930, age 40, first marr age 20

1940 Census, Chicago(Ward#21), Cook Co., IL, ED#103-1390, p11A/??, family#230, frame 21/28, taken 10 Apr 1940, age 52

Cook County, Illinois, Birth Certificates Index, 1871-1922

[View Record](#)

Name Louise Natzel  
Birth Date 24 Nov 1889  
Birth Place Chicago, Cook, Illinois  
Gender Female  
Father Carl Natzel  
Mother Wilhelmine Krause  
FHL Film Number 1287894

Elizabeth Seidelmann in the U.S., Social Security Death Index, 1935-2014

Name: Elizabeth Seidelmann

SSN: 330-44-7377

Last Residence:

60639 Chicago, Cook, Illinois, USA

BORN: 24 Nov 1889

Died: Apr 1974

State (Year) SSN issued: Illinois (1965-1966)

Name Elizabeth Seidelmann

Event Type Death

Event Date 13 Apr 1974

Event Place Chicago, Cook, Illinois, United States

Address 4645 W Wrightwood

Gender Female

Age 84

Marital Status Widowed

Race White

---

### Generation 3 (cont.)

Occupation Housewife  
Birth Date 24 Nov 1889  
Birthplace , , Illinois  
Funeral Home Wm C Smith Sons Inc  
Burial Date 15 Apr 1974  
Burial Place Chicago, , Illinois  
Cemetery Montrose  
Father's Name Charles Natzel  
Informant's Name C A Mickus  
Entry Number 609906

Notes for August Seidelmann:

Ref:

1930 Census, Elmwood Park Village, Leyden Twp., Cook Co., IL, ED#16-2909, p 8A/107A, family#197, frame 15/39, taken 7 Apr 1930, age 41, first marr age 21

1940 Census, Chicago(Ward#21), Cook Co., IL, ED#103-1390, p11A/??, family#230, frame 21/28, taken 10 Apr 1940, age 51

August Seidelman in the Illinois, Deaths and Stillbirths Index, 1916-1947

Name: August Seidelman  
Birth Date: 25 Aug 1889  
Birth Place: Chicago, Ill  
Death Date: 23 Sep 1947  
Death Place: Chicago, Cook, Illinois  
Burial Date: 27 Sep 1947  
Burial Place: Chicago, Cook, Ill.  
Cemetery Name: Montrose  
Death Age: 58  
Occupation: Shipping Clerk  
Race: White  
Marital Status: M  
Gender: Male  
Residence: Chicago, Cook, Illinois  
Father Name: John Seidelman  
Father Birth Place: Chicago, Ill.  
Mother Name: Anna Lapland  
Mother Birth Place: Chicago, Ill.  
Spouse Name: Elizabeth  
FHL Film Number: 1991638

Relationship Notes for August Seidelmann and Louise Elizabeth Natzel:  
Elisabeth Natzel in the Illinois, County Marriages, 1800-1940  
Illinois, County Marriages, 1800-1940

Name: Elisabeth Natzel  
Gender: Female  
Age: 20  
Birth Date: abt 1891  
Marriage Date: 18 Feb 1911  
Marriage Place: Kane, Illinois, USA  
Father: Chas Natzel  
Mother: Minnie Natzel  
Spouse: August Seidelmann  
Film Number: 001481110

Name: August Seidelmann

---

### Generation 3 (cont.)

Gender: Male  
Age: 22  
Birth Date: abt 1889  
Marriage Date: 18 Feb 1911  
Marriage Place: Kane, Illinois, USA  
Father: John Seidelmann  
Mother: Anna Laplanche  
Spouse: Elisabeth Natzel  
Film Number: 001481110

August Seidelmann and Louise Elizabeth Natzel had the following children:

- +78. i. GERTRUDE<sup>8</sup> SEIDELMANN (daughter of August Seidelmann and Louise Elizabeth Natzel) was born between 1911-1912 in IL. She died in September 1953 in Chicago, Cook Co., IL. She married HAROLD ELMO MOFFETT. He was born on 16 April 1909 in Erie, Whiteside Co., IL<sup>25</sup>. He died on 17 September 1987 in San Pedron, Los Angeles Co., CA<sup>25</sup>.
  - +79. ii. AUGUST JOHN SEIDELMANN (son of August Seidelmann and Louise Elizabeth Natzel) was born on 29 November 1912 in Chicago, Cook Co., IL. He died on 01 October 1993 in Franklin Park, Cook Co., IL. He married MARION ELIZABETH SYVERSON. She was born on 27 February 1914 in Chicago, Cook Co., IL. She died on 12 March 2000 in Franklin Park, Cook Co., IL.
24. **EMMA**<sup>7</sup> **SCHWE** (Augusta M.<sup>6</sup> Krause, Gggf<sup>5</sup> Krause, Gustav Theodore, Carl, ?-2, Branch-Two Schiewe, Root-Schiewe) was born on 22 August 1888 in Hanover Twp., Cook, IL. She died on Dead. She married Frank Knaak Sr. between 1907-1908. He was born on 11 February 1877 in Dundee, Kane Co., Illinois, USA. He died on 18 April 1942 in Cook Co., IL.

Notes for Emma Schewe:

Ref: Possible family in 1900 census

1900 Census, Bartlett Village, Hanover Twp., Cook Co., IL, ED#1162, p16B/249B, family#230, frame 32/43, taken 20 June 1900, age 11(Aug 1888)

1910 Census, Hanover Twp., Cook Co., IL, ED#30, p12A/12A, family#165, frame 23/26, taken 10 May 1910, age 20, marr 2 yrs, 0 children, 0 living

1920 Census, Hanover Twp., Cook Co., IL, ED#89, p8A/167A, family#155, frame 15/19, taken 15-16 Jan 1920, age 32

1930 Census, Hanover Twp., Cook Co., IL, ED#2143, p 8B/195B, family#196, frame 16/25, taken 25 Apr 1930, age 41, first marr age 18

1940 Census, Hanover Twp., Cook Co., IL, ED#16-222, p8A/4043A, family#149, frame 15/32, taken 1 May 1940, age 52

Notes for Frank Knaak Sr.:

Ref:

1910 Census, Hanover Twp., Cook Co., IL, ED#30, p12A/12A, family#165, frame 23/26, taken 10 May 1910, age 33, marr 2 yrs

1920 Census, Hanover Twp., Cook Co., IL, ED#89, p8A/167A, family#155, frame 15/19, taken 15-16 Jan 1920, age 42

1930 Census, Hanover Twp., Cook Co., IL, ED#2143, p 8B/195B, family#196, frame 16/25, taken 25 Apr 1930, age 53, first marr age 29

1940 Census, Hanover Twp., Cook Co., IL, ED#16-222, p8A/4043A, family#149, frame 15/32, taken 1 May 1940, age 63

Frank Knaak Sr. and Emma Schewe had the following children:

- 80. i. MABEL<sup>8</sup> KNAAK (daughter of Frank Knaak Sr. and Emma Schewe) was born between 1910-1911 in Hanover Twp., Cook, IL. She died on 07 November 1971. She married Erwin Range on 18 June 1937. He was born on 09 March 1903. He died on 03 December 1987.

Notes for Mabel Knaak:

---

### Generation 3 (cont.)

Ref:

1920 Census, Hanover Twp., Cook Co., IL, ED#89, p8A/167A, family#155, frame 15/19, taken 15-16 Jan 1920, age 9

1930 Census, Hanover Twp., Cook Co., IL, ED#2143, p 8B/195B, family#196, frame 16/25, taken 25 Apr 1930, age 19

81. ii. FRANK JOHN MILTON KNAAK JR. (son of Frank Knaak Sr. and Emma Schewe) was born on 30 July 1918 in Hanover Twp., Cook, IL<sup>12, 18</sup>. He died on 09 August 2013 in Rochelle, Ogle Co., IL<sup>18</sup>. He married AGATHA NEOMA PLEASANTS. She was born on 08 July 1920<sup>32</sup>. She died on Dead.

Notes for Frank John Milton Knaak Jr.:

Ref:

1920 Census, Hanover Twp., Cook Co., IL, ED#89, p8A/167A, family#155, frame 15/19, taken 15-16 Jan 1920, age 1 5/12, name: Frank. Jr.

1930 Census, Hanover Twp., Cook Co., IL, ED#2143, p 8B/195B, family#196, frame 16/25, taken 25 Apr 1930, age 11, name: Frank Jr.

1940 Census, Hanover Twp., Cook Co., IL, ED#16-222, p8A/4043A, family#149, frame 15/32, taken 1 May 1940, age 21

Name: Milton Knaak

Birth Date: 30 Jul 1918

Birth Place: Hanover Twp

Gender: Male

Father: Frank Knaak

Mother: Emma Schewe

FHL Film Number: 1308566

25. **PAULINE J.<sup>7</sup> SCHEWE** (Augusta M.<sup>6</sup> Krause, Gggf<sup>5</sup> Krause, Gustav Theodore, Carl, ?-2, Branch-Two Schiewe, Root-Schiewe) was born in May 1892 in Hanover Twp., Cook, IL. She died on 20 February 1962 in Cook Co., IL. She married Albert William Knaak on 25 June 1919 in Bartlett, Cook Co., IL. He was born on 30 October 1880 in Barrinton, Cook Co., IL<sup>12, 15</sup>. He died on 25 July 1953 in Elgin, Kane Co., IL.

Notes for Pauline J. Schewe:

Ref: Possible family in 1900 census

1900 Census, Bartlett Village, Hanover Twp., Cook Co., IL, ED#1162, p16B/249B, family#230, frame 32/43, taken 20 June 1900, age 8(May 1892)

1920 Census, Elgin, Elgin Twp., Kane Co., IL, ED#78, p5B/34B, family#129, frame 10/31. taken 6 Jan 1920, age 28, name: Pauline

1930 Census, Hanover Twp., Cook Co., IL, ED#2142, p 8B/195B, family#197, frame 16/25, taken 25 Apr 1930, age 38, fist marr age 25, name: Pauline J.

1940 Census, Hanover Twp., Cook Co., IL, ED#16-222, p8A/4343A, family#150, frame 15/32, taken 1 May 1940, age 47, name: Paulina

Notes for Albert William Knaak:

Ref:

1920 Census, Elgin, Elgin Twp., Kane Co., IL, ED#78, p5B/34B, family#129, frame 10/31. taken 6 Jan 1920, age 39

1930 Census, Hanover Twp., Cook Co., IL, ED#2142, p 8B/195B, family#197, frame 16/25, taken 25 Apr 1930, age 49, fist marr age 22

1940 Census, Hanover Twp., Cook Co., IL, ED#16-222, p8A/4343A, family#150, frame 15/32, taken 1 May 1940, age 59

Albert William Knaak and Pauline J. Schewe had the following children:

82. i. **DOROTHY<sup>8</sup> KNAAK** (daughter of Albert William Knaak and Pauline J. Schewe) was born between 1908-1909. She died on Dead.

Notes for Dorothy Knaak:

Ref:

1920 Census, Elgin, Elgin Twp., Kane Co., IL, ED#78, p5B/34B, family#129, frame 10/31. taken 6 Jan 1920, age 11

---

### Generation 3 (cont.)

83. ii. **RAYMOND F. KNAAK** (son of Albert William Knaak and Pauline J. Schewe) was born between 1913-1914. He died on Dead.

Notes for Raymond F. Knaak:

Ref:

1920 Census, Elgin, Elgin Twp., Kane Co., IL, ED#78, p5B/34B, family#129, frame 10/31. taken 6 Jan 1920, age 5, name: Raymond

1930 Census, Hanover Twp., Cook Co., IL, ED#2142, p 8B/195B, family#197, frame 16/25, taken 25 Apr 1930, age 16, name: Raymond F.

1940 Census, Hanover Twp., Cook Co., IL, ED#16-222, p8A/4343A, family#150, frame 15/32, taken 1 May 1940, age 46

- +84. iii. **LENORA CHRISTINA AUGUSTA EMMA KNAAK** (daughter of Albert William Knaak and Pauline J. Schewe) was born on 13 July 1921 in Elgin, Kane Co., IL. She died on 11 July 1984 in Elgin, Kane Co., IL. She married **GERALD EDWARD WARREN**. He was born on 16 October 1922 in Emmett Valley, Gem, Idaho, USA. He died on 07 November 2010 in Elgin, Kane Co., IL.
26. **MINNIE<sup>7</sup> SCHEWE** (Augusta M.<sup>6</sup> Krause, Gggf<sup>5</sup> Krause, Gustav Theodore, Carl, ?-2, Branch-Two Schiewe, Root-Schiewe) was born on 21 August 1894 in Hanover Twp., Cook, IL<sup>1</sup>. She died on 01 January 1981 in Elgin, Kane Co., IL<sup>1</sup>. She married Henry Joseph Drehobl on 12 April 1919 in Cook Co., IL. He was born on 11 August 1898 in Cook Co., IL<sup>1</sup>. He died on 31 March 1962 in Cook Co., IL<sup>1</sup>.

Notes for Minnie Schewe:

Ref: Possible family in 1900 census

1900 Census, Bartlett Village, Hanover Twp., Cook Co., IL, ED#1162, p16B/249B, family#230, frame 32/43, taken 20 June 1900, age 5(Aug 1894)

Chicago Tribune, 3 January 1981

Minnie Drehobl, beloved wife of the late Henry; loving mother of Evelyn (Bernard) Krappmann, Florence (Edward) Mueller, Maybelle (Charles) Klinge; five grandchildren; three great-grandchildren. Funeral Monday, 11 a.m., at John V. May Funeral Home, 4553-61 Milwaukee Av. Interment Ridgewood. Visitation after 6 p.m. Saturday. Memorials to Muscular Dystrophy appreciated.

Marriage Notes: (Henry Joseph)

Name: Minnie Scheive

Age: 24

Gender: Female

Birth Year: abt 1895

Marriage Type: Marriage

Marriage Date: 12 Apr 1919

Marriage Place: Chicago, Cook, Illinois

Spouse Name: Henry Drehobl

Spouse Age: 21

Spouse Gender: Male

FHL Film Number: 1030694

Henry Joseph Drehobl and Minnie Schewe had the following children:

- +85. i. **EVELYN DOROTHY<sup>8</sup> DREHOBL** (daughter of Henry Joseph Drehobl and Minnie Schewe) was born on 26 December 1919<sup>28, 38</sup>. She died on 10 April 1998. She married (1) **CHARLES VARINY** (son of ? Variny and Marie ???) before 1962. He was born on 09 May 1902. He died in October 1967 in Chicago, Cook Co., IL. She married (2) **BERNARD G. KRAPPMANN** on 26 April 1977 in Washburn Co., WI. He was born between 1913-1914. He died on Dead.
86. ii. **MAYBELLE S. DREHOBL** (daughter of Henry Joseph Drehobl and Minnie Schewe) was born on 09 May 1926<sup>1</sup>. She died on 25 June 2006<sup>1</sup>. She married **CHARLES KLINGE**.

Notes for Maybelle S. Drehobl:

Chicago Tribune, 28 June 2006

---

### Generation 3 (cont.)

Maybelle S. Klinge, nee Drehobl, age 80, of Des Plaines, formerly of Chicago for 50 years, beloved wife of the late Charles; loving daughter of the late Henry (Minnie) Drehobl; dear sister of Florence Mueller and the late Evelyn Krappman; cherished aunt of many nieces and nephews and great-nieces and nephews. Maybelle was a member of St. Constance Catholic Church in Chicago. Visitation Thursday beginning at 10 a.m. until time of Service at 12 noon at G.L. Hills Funeral Home, 745 Graceland Ave., Des Plaines. Interment will be at Maryhill Cemetery, Niles, IL. For info, please call 847-699-9003.

87.     iii.   FLORENCE DREHOBL (daughter of Henry Joseph Drehobl and Minnie Schewe). She married EDWARD MUELLER.
28.   **AUGUSTA M.<sup>7</sup> KRAUSE** (Herman Martin<sup>6</sup> Sr., Gggf<sup>5</sup>, ?-A<sup>4</sup>, Branch-One-A<sup>3</sup>, Haplogroup-I2a-F3744-Positive<sup>2</sup>, Schlochau-Branches<sup>1</sup>) was born on 21 January 1881 in Mauersin, Kr. Schlochau, Germany. She died on 02 March 1959 in New London, Waupaca Co., WI<sup>1</sup>. She married Arthur Willard Cousins (son of Leonard Cousins and Roanna Dexter) on 04 February 1904 in Manawa, Waupaca Co., WI<sup>11</sup>. He was born on 28 March 1881 in Liberty Twp., Outagamie Co., WI<sup>3, 12</sup>. He died on 10 May 1965 in Oshkosh, Winnebago Co., WI<sup>1</sup>.

Notes for Augusta M. Krause:

Ref:

1900 Census, Little Wolf Twp., Waupaca Co., WI, ED#131, p3B/169B, frame 6/14, taken 11-13 June 1900, age 20(Jan 1880)

1910 Census, Liberty Twp., Outagamie Co., WI, ED#143, p11A/209A, family#231, frame 5/11, taken 4 May 1910, age 29, marr 7 yrs, 1 child, 1 living

1920 Census, Liberty Twp., Outagamie Co., WI, ED#219, p1A/269A, family#1, frame 1/10, taken 2 Jan 1920, age 38, imm 1885

1930 Census, Liberty Twp., Outagamie Co., WI, ED#40, p4B/4B, family#69, frame 8/13, taken 10 Apr 1930, age 49, first marr age 21, imm 1886

1940 Census, Liberty Twp., Outagamie Co., WI, ED#44-47, p3A/804A, family#46, frame 5/12, taken 30 Apr 1940, age 59

Notes for Arthur Willard Cousins:

Ref:

1910 Census, Liberty Twp., Outagamie Co., WI, ED#143, p11A/209A, family#231, frame 5/11, taken 4 May 1910, age 29, marr 7 yrs

1920 Census, Liberty Twp., Outagamie Co., WI, ED#219, p1A/269A, family#1, frame 1/10, taken 2 Jan 1920, age 38

1930 Census, Liberty Twp., Outagamie Co., WI, ED#40, p4B/4B, family#69, frame 8/13, taken 10 Apr 1930, age 49, first marr age 21

1940 Census, Liberty Twp., Outagamie Co., WI, ED#44-47, p3A/804A, family#46, frame 5/12, taken 30 Apr 1940, age 59

Arthur Willard Cousins and Augusta M. Krause had the following child:

- +88.    i.    **ESTHER L.<sup>8</sup> COUSINS** (daughter of Arthur Willard Cousins and Augusta M. Krause) was born on 13 January 1904 in WI. She died on 13 February 1999 in New London, Outagamie Co., WI. She married ALVIN REINHARD ELSE (son of Herman A. Else and Lizzie M. ???). He was born on 02 January 1898 in WI<sup>1</sup>. He died on 28 September 1958 in WI<sup>1</sup>.
29.    **CAROLINE 'LENA'<sup>7</sup> KRAUSE** (Herman Martin<sup>6</sup> Sr., Gggf<sup>5</sup>, ?-A<sup>4</sup>, Branch-One-A<sup>3</sup>, Haplogroup-I2a-F3744-Positive<sup>2</sup>, Schlochau-Branches<sup>1</sup>) was born on 20 October 1882 in Mauersin, Kr. Schlochau, Germany. She died on 10 October 1967 in New London, Waupaca Co., WI. She married Lyman Dexter (son of Herman Dexter and Catherine Alvira Tenant) between 1902-1903. He was born on 06 July 1874 in Liberty Twp., Outagamie Co., WI<sup>3</sup>. He died on 23 April 1939 in New London, Waupaca Co., WI.

Notes for Caroline 'Lena' Krause:

Ref:

1900 Census, Little Wolf Twp., Waupaca Co., WI, ED#131, p3B/169B, frame 6/14, taken 11-13

---

### Generation 3 (cont.)

June 1900, age 18(Oct 1881)

1920 Census, Liberty Twp., Outagamie Co., WI, ED#219, p1A/209A, frame 1/10, taken 2-5 Jan.

1920, age 36

1930 Census, New London, Waupaca Co., WI, ED#29, p4B-5A/150B-151A, frame 8-9/12, taken 7

Apr. 1930, age 48

1940 Census, New London(Ward#2), Waupaca Co., WI, ED#68-29, p6A/317A, family#129, frame

11/18, taken 18 Apr 1940, age 45, widow, name: Lena

Notes for Lyman Dexter:

Ref:

1920 Census, Liberty Twp., Outagamie Co., WI, ED#219, p1A/209A, frame 1/10, taken 2-5 Jan.

1920, age 45

1930 Census, New London, Waupaca Co., WI, ED#29, p4B-5A/150B-151A, frame 8-9/12, taken 7

Apr. 1930, age 56

Lyman Dexter and Caroline 'Lena' Krause had the following children:

- +89. i. EDITH MABEL<sup>8</sup> DEXTER (daughter of Lyman Dexter and Caroline 'Lena' Krause) was born on 17 September 1904 in Liberty Twp., Outagamie Co., WI. She died on 08 July 1983. She married George Rufus Beattie Sr. on 24 June 1924 in Kalamazoo, Monroe Co., MI<sup>33</sup>. He was born on 17 April 1895 in Inland, WI. He died on 01 January 1972<sup>1</sup>.
- +90. ii. EVELYN DEXTER (daughter of Lyman Dexter and Caroline 'Lena' Krause) was born on 17 January 1906 in New London, Waupaca Co., WI. She died on 29 April 1984 in Ripon, Fond du Lac Co., WI. She married William Fredrich Wuske (son of Johann Wuske and Bertha Lange) on 19 April 1926 in Waukegan, IL. He was born on 27 September 1904 in New London, Waupaca Co., WI. He died on 25 October 1980 in Ripon, Fond du Lac Co., WI.
- +91. iii. MARTHA DEXTER (daughter of Lyman Dexter and Caroline 'Lena' Krause) was born on 31 July 1907 in Liberty Twp., ? Co., WI. She died on 23 September 1961 in New London, Waupaca Co., WI. She married Eddie E. Behling on 01 June 1935. He was born on 10 June 1903 in Larrabee, WI. He died on 25 January 1952 in Appleton, WI.
- +92. iv. BESSIE A. DEXTER (daughter of Lyman Dexter and Caroline 'Lena' Krause) was born on 22 December 1908 in New London, Waupaca Co., WI. She died on 14 November 1986 in Appleton, WI. She married Marvin "Fritz Beattie" Beattie on 08 August 1926. He was born on 08 April 1906 in Eldron, WI. He died on 21 September 1975 in Appleton, WI.
- 93. v. HERMAN DEXTER (son of Lyman Dexter and Caroline 'Lena' Krause) was born in 1911. He died in 1911.
- 94. vi. DOROTHY E. DEXTER (daughter of Lyman Dexter and Caroline 'Lena' Krause) was born on 19 November 1911<sup>1</sup>. She died in 1941 in New London, Outagamie Co., WI<sup>1</sup>. She married HARVEY PRAHL.

Notes for Dorothy E. Dexter:

Ref:

1920 Census, Liberty Twp., Outagamie Co., WI, ED#219, p1A/209A, frame 1/10, taken 2-5 Jan. 1920, age 8

1930 Census, New London, Waupaca Co., WI, ED#29, p4B-5A/150B-151A, frame 8-9/12, taken 7 Apr. 1930, age 19

Mrs Harvey Prael, 29, 501 Waupaca Street, New London, died at 2:40 this morning at Communith Hospital in New London. She had been ill since January.

Born 19 Nov 1911 in the town of Liberty, Waupaca County, she lived in New London most of her life. She was a member of Emanuel Lutheran Church.

Survivors are the husband; the mother, Mrs Lena Dexter; two brothers, Norman and



---

### Generation 3 (cont.)

Donald; five sisters, Miss Hilde Dexter, Mrs Marvin Beattie, Mrs George Beattie, Mrs Edward Behling, all of New London; Mrs William Wuske, Green Lake.

Funeral services will be held at 2 o'clock Friday afternoon at the Fehrman-Kircher Funeral Home in New London, with burial in the town of Liberty cemetery. The body may be viewed at the funeral home after 7 o'clock Wednesday evening.

95.      vii.   NORMAN L. DEXTER (son of Lyman Dexter and Caroline 'Lena' Krause) was born in 1914. He died in 1941.

Notes for Norman L. Dexter:

Ref:

1920 Census, Liberty Twp., Outagamie Co., WI, ED#219, p1A/209A, frame 1/10, taken 2-5 Jan. 1920, age 5

1930 Census, New London, Waupaca Co., WI, ED#29, p4B-5A/150B-151A, frame 8-9/12, taken 7 Apr. 1930, age 17

1940 Census, New London(Ward#2), Waupaca Co., WI, ED#68-29, p6A/317A, family#129, frame 11/18, taken 18 Apr 1940, age 26

96.      viii.   DONALD W. DEXTER (son of Lyman Dexter and Caroline 'Lena' Krause) was born on 15 April 1916 in Liberty Twp., Outagamie Co., WI. He died on 10 January 1970 in New London, Outagamie Co., WI<sup>31</sup>.

Notes for Donald W. Dexter:

Ref:

1920 Census, Liberty Twp., Outagamie Co., WI, ED#219, p1A/209A, frame 1/10, taken 2-5 Jan. 1920, age 3 8/12

1930 Census, New London, Waupaca Co., WI, ED#29, p4B-5A/150B-151A, frame 8-9/12, taken 7 Apr. 1930, age 14

1940 Census, New London(Ward#2), Waupaca Co., WI, ED#68-29, p6A/317A, family#129, frame 11/18, taken 18 Apr 1940, age 23

97.      ix.     HILDA DEXTER (daughter of Lyman Dexter and Caroline 'Lena' Krause) was born on 06 April 1921 in Liberty Twp., ? Co., WI. She died on 14 October 1944 in New London, Waupaca Co., WI.

Notes for Hilda Dexter:

Ref:

1930 Census, New London, Waupaca Co., WI, ED#29, p4B-5A/150B-151A, frame 8-9/12, taken 7 Apr. 1930, age 10

1940 Census, New London(Ward#2), Waupaca Co., WI, ED#68-29, p6A/317A, family#129, frame 11/18, taken 18 Apr 1940, age 19

98.      x.     LLOYD DEXTER (son of Lyman Dexter and Caroline 'Lena' Krause) was born in 1922. He died in 1922.

30.   **BERTHA ALBERINE<sup>7</sup> KRAUSE** (Herman Martin<sup>6</sup> Sr., Gggf<sup>5</sup>, ?-A<sup>4</sup>, Branch-One-A<sup>3</sup>, Haplogroup-I2a-F3744-Positive<sup>2</sup>, Schlochau-Branches<sup>1</sup>) was born on 04 October 1884 in at sea during immigration to America[On arrival ship list: name: Caroline]<sup>14</sup>. She died on 20 September 1947 in New London, Outagamie Co., WI<sup>1</sup>. She married Herman Weber (son of Julius Weber and Louise Malueg) on 23 March 1905 in ?. He was born on 01 April 1871 in Caroline, Shawano Co., WI<sup>3</sup>. He died on 11 June 1943 in New London, Waupaca Co., WI<sup>1</sup>.

Notes for Bertha Alberine Krause:

This date of birth, Oct. 1883, for Bertha does not seem possible as she is not shown on the ship list for arrival at New York in Oct. 11, 1884 or on the departure from Hamburg, Sept 29, 1884. Birth in IL may be Oct 1884. More research is required. Additional information received that she was born at sea during immigration to America. That makes the 1883 date incorrect.(info received from Mark Dulski, WI)

Ship List shows a Caroline Krause, b 4 Oct 1884, Roll M237, frame 226/1096

---

### Generation 3 (cont.)

Ref:

1900 Census, Little Wolf Twp., Waupaca Co., WI, ED#131, p3B/169B, frame 6/14, taken 11-13 June 1900, age 16(Oct 1883)

1905 Census, Little Wolf Twp., Waupaca Co., WI, p7/327, taken 1 June 1905, age 21, single

1910 Census, Union Twp., Waupaca Co., WI, ED#92, p1A/31A, family#8, frame 1/24, taken 15 Apr 1910, age 25, marr 5 yrs, 3 children, 3 living, born at sea

1920 Census, Manawa, Waupaca Co., WI, ED#142, p1B/197B, family#17, frame 2/15, taken 9-10 Feb 1920, age 35

1930 Census, New London(Ward#5), Waupaca Co., WI, ED#31, p4A-4B/169A-B, frame 7-8/19, taken 12 Apr 1930, age 45, first marr age 20

Notes for Herman Weber:

Ref:

1910 Census, Union Twp., Waupaca Co., WI, ED#92, p1A/31A, family#8, frame 1/24, taken 15 Apr 1910, age 35, marr 5 yrs

1930 Census, New London(Ward#5), Waupaca Co., WI, ED#31, p4A-4B/169A-B, frame 7-8/19, taken 12 Apr 1930, age 58, first marr age 33

Herman Weber and Bertha Alberine Krause had the following children:

- +99. i. MARTHA META<sup>8</sup> WEBER (daughter of Herman Weber and Bertha Alberine Krause) was born on 29 July 1906 in Symco, Waupaca Co., WI<sup>1</sup>. She died on 20 January 1992 in Appleton, Outagamie Co., WI<sup>1</sup>. She married William McKinly Close (son of Jeremiah Close and Teressa Klemer) on 06 September 1923. He was born on 07 December 1897 in Mukwa, Waupaca Co., WI<sup>1</sup>. He died on 08 October 1981 in Waupaca Co., WI<sup>1, 23</sup>.
- +100. ii. CLARA IDA WEBER (daughter of Herman Weber and Bertha Alberine Krause) was born on 20 January 1908 in New London, Waupaca Co., WI. She died on 12 September 1992 in Appleton, Outagamie Co., WI. She married HERBERT SCHMITZ (son of John M. Schmitz and Ida Edith Grube). He was born on 02 August 1897 in Appleton, Outagamie Co., WI. He died on 07 September 1974 in Appleton, Outagamie Co., WI.
- +101. iii. HELEN CLARA WEBER (daughter of Herman Weber and Bertha Alberine Krause) was born on 15 May 1909 in Gresham, Shawano Co., WI<sup>1</sup>. She died on 26 March 1951 in Madison, Dane Co., WI<sup>1</sup>. She married Raymond Carl Schmitz (son of John M. Schmitz and Ida Edith Grube) on 15 May 1928 in ?. He was born on 15 July 1905 in Appleton, Outagamie Co., WI<sup>1</sup>. He died on 26 August 1986 in Appleton, Outagamie Co., WI<sup>1</sup>.
- +102. iv. EDNA R. WEBER (daughter of Herman Weber and Bertha Alberine Krause) was born on 19 August 1912 in Gresham, Shawano Co., WI. She died on 22 October 1966 in Neshkoro, Waupaca Co., WI<sup>31</sup>. She married (1) RUDOLPH MEYERS about 1940 in ME. He was born on 28 March 1902 in WI. He died in April 1968 in New London, Outagamie Co., WI. She married (2) WALTER KAUTZ before 1940 in ?. He was born on 09 September 1905 in ?. He died in December 1970 in Green Bay, Brown Co., WI.
- +103. v. CHRISTINA 'TINA' MATILDA WEBER (daughter of Herman Weber and Bertha Alberine Krause) was born on 07 September 1914 in Manawa, Waupaca Co., WI<sup>18</sup>. She died on 30 January 1975 in IA<sup>18</sup>. She married (1) WALTER WILLIAM HAUSCHULTZ (son of Carl Hauschultz and Caroline Ruetz) before 1931 in ?. He was born on 10 November 1909 in Manawa, Waupaca Co., WI<sup>18</sup>. He died on 06 November 1957 in Dupont, Waupaca Co., WI<sup>18</sup>. She married (2) VERNON PETER KOHLBECK after 1957. He was born on 13 September 1923 in WI<sup>18</sup>. He died on 03 November 1998 in Clinton, Clinton Co., IA<sup>18</sup>.
- 104. vi. DOROTHY P. WEBER (daughter of Herman Weber and Bertha Alberine Krause) was born on 12 October 1918 in Manawa, Waupaca Co., WI. She died on 30 January 1992 in IA<sup>18</sup>. She married Leslie E. Gustman (son of Frank Gustman and Jennie Nicholson) before 1943. He was born on 19 March 1919<sup>18, 34</sup>. He died on 18 July

---

---

### Generation 3 (cont.)

1991<sup>18</sup>.

Notes for Dorothy P. Weber:

Ref:

1920 Census, Manawa, Waupaca Co., WI, ED#142, p1B/197B, family#17, frame 2/15, taken 9-10 Feb 1920, age 1 4/12

1930 Census, New London(Ward#5), Waupaca Co., WI, ED#31, p4A-4B/169A-B, frame 7-8/19, taken 12 Apr 1930, age 11

U.S., Social Security Death Index, 1935-Current  
about Dorothy P. Weber Name: Dorothy P. Weber

SSN: 140-26-3004

Born: 12 Oct 1916

Died: 30 Jan 1992

State (Year) SSN issued: New Jersey (1951)

U.S. Public Records Index, Volume 2

about Dorothy P Weber

Name:

Dorothy P Weber

Birth Date:

12 Oct 1916

Address:

10351 Redwood Hwy, Wilderville, OR, 97543-9045

Notes for Leslie E. Gustman:

US City Directories 1951, 1956, and 1960 Show Leslie E. Gustman and Dorothy Gustman in Davenport, IA

U.S., Social Security Death Index, 1935-Current about Leslie E. Gustman

Name: Leslie E. Gustman

SSN: 387-14-6424

Born: 19 Mar 1919

Died: 18 Jul 1991

State (Year) SSN issued: Wisconsin (Before 1951)

Leslie E Gustman

Birth: Mar. 19, 1919

Death: Jul. 18, 1991

Family links:

Spouse:

Edna E Gustman (1926 - 1996)

Burial:

Rock Island National Cemetery

Rock Island

Rock Island County

Illinois, USA

Plot: P - 1711

Imported from: US Veteran's Affairs

Record added: Feb 25, 2000

Find A Grave Memorial# 733398

---

---

### Generation 3 (cont.)

U.S., Department of Veterans Affairs BIRLS Death File, 1850-2010 about Leslie Gustman

Name: Leslie Gustman  
Gender: Male  
Birth Date: 19 Mar 1919  
Death Date: 18 Jul 1991  
Cause of Death: Natural  
SSN: 387146424  
Branch 1: ARMY  
Enlistment Date 1: 11 Oct 1940  
Release Date 1: 12 Dec 1944

Relationship Notes for Leslie E. Gustman and Dorothy P. Weber:

U.S., WWII Jewish Servicemen Cards, 1942-1947 about Leslie E Gustman

Name: Leslie E Gustman  
Next of Kin: Dorothy Gustman  
Residence: New London, Wisconsin, United States  
Record Date: 15 Feb 1943  
Relationship: Wife

105. vii. DORIS WEBER (daughter of Herman Weber and Bertha Alberine Krause) was born on 12 October 1918 in Manawa, Waupaca Co., WI. She died after 1920.

Notes for Doris Weber:

Ref:

1920 Census, Manawa, Waupaca Co., WI, ED#142, p1B/197B, family#17, frame 2/15, taken 9-10 Feb 1920, age 1 4/12

- +106. viii. VIOLET A. WEBER (daughter of Herman Weber and Bertha Alberine Krause) was born on 18 March 1921 in Waupaca Co., WI<sup>3, 18</sup>. She died on 12 November 1988 in Oshkosh, Winnebago Co., WI<sup>18</sup>. She married (1) FRANK THIELKE on 06 February 1941. He was born on 10 April 1907<sup>18</sup>. He died in January 1977 in Oshkosh, Winnebago Co., WI<sup>18</sup>. She married (2) EDWARD KUTLEB before 1936. He was born about 1921 in ?. He died on Dead.

107. ix. ELMER WEBER (son of Herman Weber and Bertha Alberine Krause) was born on 20 March 1924 in ?. He died in January 1984 in Oshkosh, Winnebago Co., WI.

Notes for Elmer Weber:

Ref:

1930 Census, New London(Ward#5), Waupaca Co., WI, ED#31, p4A-4B/169A-B, frame 7-8/19, taken 12 Apr 1930, age 6

31. **MATHILDA W.<sup>7</sup> KRAUSE** (Herman Martin<sup>6</sup> Sr., Gggf<sup>5</sup>, ?-A<sup>4</sup>, Branch-One-A<sup>3</sup>, Haplogroup-I2a-F3744-Positive<sup>2</sup>, Schlochau-Branches<sup>1</sup>) was born on 26 May 1886 in IL<sup>3</sup>. She died on 07 December 1972 in Waupaca, Waupaca Co., WI<sup>3</sup>. She married Albert Julius Hoppe (son of Theodore H. Hoppe and Friderike Fuhs) on 26 August 1903 in Manawa, Waupaca Co., WI. He was born on 22 May 1882 in Little Wolf Twp., Waupaca Co., WI. He died on 11 February 1953 in Waupaca Co., WI.

Notes for Mathilda W. Krause:

Ref:

1900 Census, Little Wolf Twp., Waupaca Co., WI, ED#131, p3B/169B, frame 6/14, taken 11-13 June 1900, age 14(May 1886), b IL

1930 Census, New London City(Ward#2), Waupaca Co., WI, ED#29, p2B/148B, frame 4/12, taken 3 Apr. 1930, age 44

Notes for Albert Julius Hoppe:

Ref:

---

### Generation 3 (cont.)

1930 Census, New London City(Ward#2), Waupaca Co., WI, ED#29, p2B/148B, frame 4/12, taken 3 Apr. 1930, age 48

Albert Julius Hoppe and Mathilda W. Krause had the following children:

- 108. i. HELEN D.<sup>8</sup> HOPPE (daughter of Albert Julius Hoppe and Mathilda W. Krause) was born on 07 March 1903. She died on 07 March 1903.
  - +109. ii. LEO ARTHUR HOPPE (son of Albert Julius Hoppe and Mathilda W. Krause) was born on 20 March 1905 in St. Lawrence, Waupaca Co., WI<sup>18</sup>. He died on 09 May 1990 in Waupaca, Waupaca Co., WI<sup>18</sup>. He married (1) MABEL AMANDA HILDESTAD (daughter of Carl Martin Hildestad and Anna Dortine Burnson) on 07 December 1927 in ?. She was born on 09 July 1906 in Bristol, Dane Co., WI. She died on 11 September 1986 in Sun Prairie, Dane Co., WI. He married (2) LILLIAN WILHELMINE MARKHARDT (daughter of Max Markhardt and Elizabeth Ebert) on 20 March 1947. She was born on 21 October 1907 in ?. She died on Dead.
  - +110. iii. LOUIS ALFRED HOPPE (son of Albert Julius Hoppe and Mathilda W. Krause) was born on 28 December 1906 in Little Wolf, Waupaca Co., WI. He died on 01 April 1988 in Manawa, Waupaca Co., WI. He married Dora Mundt (daughter of Gustave Mundt and Pette ???) on 26 June 1929 in Manawa, WI.
  - +111. iv. HARLEY EMANUEL HOPPE (son of Albert Julius Hoppe and Mathilda W. Krause) was born on 14 August 1908 in Little Wolf Twp., Waupaca Co., WI. He died on 10 July 1995 in Appleton, Outagamie Co., WI. He married (1) EDNA LAVONNE BOUTWELL on 01 January 1933. She was born on 17 November 1912. She died on 30 August 1975. He married (2) FLORENCE JOHNSON on 16 April 1977.
  - 112. v. EDWIN HOPPE (son of Albert Julius Hoppe and Mathilda W. Krause) was born on 28 November 1912 in Manawa, Waupaca Co., WI. He died on 23 April 1998 in Weyauwega, Waupaca Co., WI. He married ANITA ???.
  - +113. vi. ELDORA EMILIE HOPPE (daughter of Albert Julius Hoppe and Mathilda W. Krause) was born on 23 November 1918 in Little Wolf Twp., Waupaca Co., WI. She died on 01 May 2018 in Waupaca, Waupaca Co., WI. She married Aubrey John Edwards (son of Ward Edwards and Muriel Eaton) on 07 November 1936. He was born on 10 March 1914 in Park Falls, Price, Wisconsin, USA. He died on 26 April 2006.
32. **ALBERT EDWARD<sup>7</sup> KRAUSE** (Herman Martin<sup>6</sup> Sr., Gggf<sup>5</sup>, ?-A<sup>4</sup>, Branch-One-A<sup>3</sup>, Haplogroup-I2a-F3744-Positive<sup>2</sup>, Schlochau-Branches<sup>1</sup>) was born on 06 January 1888 in Manawa, Waupaca Co., WI. He died on 28 April 1954 in WI. He married Ada Agnes Eva Bower (daughter of William Bower and Amelia J. Habbeck) in 1909. She was born on 17 August 1892 in New London, Outagamie Co., WI. She died on 06 February 1986 in New London, Outagamie Co., WI.

Notes for Albert Edward Krause:

Ref:

1900 Census, Little Wolf Twp., Waupaca Co., WI, ED#131, p3B/169B, frame 6/14, taken 11-13 June 1900, age 12

1905 Census, Little Wolf Twp., Waupaca Co., WI, p7/327, taken 1 June 1905, age 18

1930 Census, New London City(ward #1), Waupaca Co., WI, ED#28, p7A/142A, frame 13/23, taken Apr. 1930, age 42

1940 Census, New London(Ward#1), Waupaca Co., WI, ED#68-28, p8B/303B, family#174, frame 17/32, taken 27 Apr 1940, age 52

Notes for Ada Agnes Eva Bower:

Ref:

1930 Census, New London City(ward #1), Waupaca Co., WI, ED#28, p7A/142A, frame 13/23, taken Apr. 1930, age 37

1940 Census, New London(Ward#1), Waupaca Co., WI, ED#68-28, p8B/303B, family#174, frame 17/32, taken 27 Apr 1940, age 47

Name: Ada Agnes Ene Bower

Gender: Female

---

### Generation 3 (cont.)

Race: White  
Birth Date: 17 Aug 1892  
Birth Place: New London, Waupaca, Wisconsin  
Father: Wm Bower  
Mother: Amelia Habbeck  
FHL Film Number: 1305604

Albert Edward Krause and Ada Agnes Eva Bower had the following children:

114. i. NORMAN E.<sup>8</sup> KRAUSE (son of Albert Edward Krause and Ada Agnes Eva Bower) was born on 09 January 1911 in Monroe Co., WI. He died on 28 August 1975 in Neenah, Winnebago Co., WI. He married LUCILLE HELEN BURTON. She was born on 12 July 1917 in Bear Creek, Outagamie Co., WI<sup>18</sup>. She died on 02 May 2006 in Menasha, Winnebago Co., WI<sup>18</sup>.

Notes for Norman E. Krause:

Ref:

1930 Census, New London City(ward #1), Waupaca Co., WI, ED#28, p7A/142A, frame 13/23, taken Apr. 1930, age 19

- +115. ii. VERNA IRENE KRAUSE (daughter of Albert Edward Krause and Ada Agnes Eva Bower) was born on 22 July 1913<sup>18</sup>. She died on 18 September 1996<sup>18</sup>. She married LORENZ JAHSMAN. He was born on 07 May 1912<sup>18</sup>. He died in May 1987<sup>18</sup>.
- +116. iii. ALBERT EUGENE KRAUSE (son of Albert Edward Krause and Ada Agnes Eva Bower) was born on 24 June 1916 in Outagamie Co., WI<sup>18</sup>. He died on 19 February 2006 in New London, Waupaca Co., WI<sup>18</sup>. He married ? ???.
117. iv. WILLIAM DONALD KRAUSE (son of Albert Edward Krause and Ada Agnes Eva Bower) was born on 04 August 1922 in New London, Outagamie Co., WI. He died on 09 September 2003 in Rockford, Winnebago Co., IL.

Notes for William Donald Krause:

Ref:

1930 Census, New London City(ward #1), Waupaca Co., WI, ED#28, p7A/142A, frame 13/23, taken Apr. 1930, age 7

1940 Census, New London(Ward#1), Waupaca Co., WI, ED#68-28, p8B/303B, family#174, frame 17/32, taken 27 Apr 1940, age 17

Name William Donald Krause

Gender Male

Race White

Birth Date 4 Aug 1922

Birth Place New London W, Wisconsin

Death Date 9 Sep 2003

Father Albert E Krause

Mother Ada Bower

SSN 393165775

Notes Oct 1940: Name listed as WILLIAM DONALD KRAUSE; 07 Oct 2003: Name listed as WILLIAM D KRAUSE

118. v. ELEANOR KRAUSE (daughter of Albert Edward Krause and Ada Agnes Eva Bower). She died before 2006.
33. **AMANDA**<sup>7</sup> **KRAUSE** (Herman Martin<sup>6</sup> Sr., Gggf<sup>5</sup>, ?-A<sup>4</sup>, Branch-One-A<sup>3</sup>, Haplogroup-I2a-F3744-Positive<sup>2</sup>, Schlochau-Branches<sup>1</sup>) was born in January 1892 in Manawa, Waupaca Co., WI. She died on 12 August 1961 in Waupaca, Waupaca Co., WI. She married Emil Walter "Amiel Preuss" Preuss (son of Julius Edward Preuss and Emelia Krause) on 18 December 1907. He was born on 21 April 1886 in Union Twp., Waupaca Co., WI. He died on 05 May 1950.

---

### Generation 3 (cont.)

Notes for Amanda Krause:

Ref:

1900 Census, Little Wolf Twp., Waupaca Co., WI, ED#131, p3B/169B, frame 6/14, taken 11-13 June 1900, age 8(Jan 1892)

1905 Census, Little Wolf Twp., Waupaca Co., WI, p7/327, taken 1 June 1905, age 15

1910 Census, Union Twp., Waupaca Co., WI, ED#92, p family#110, p6B36B/ frame 12/24, taken 27 Apr 1910, age 20, marr 2 yrs, 1 child, 1 living

1920 Census, Union Twp., Waupaca Co., WI, ED#151, p6B/34B, family#110, frame 12/23, taken 22-24 Jan 1920, age 30

1930 Census, Helvetia Twp., Waupaca Co., WI, ED#16, p2A/39A, frame 3/11, taken 9 Apr. 1930, age 40, first marr age 21

1940 Census, Helvetia Twp., Waupaca Co., WI, ED#68-16, p4A/165A, family#63, frame 7/14, taken 13 Mat 1940, age 50

Notes for Emil Walter Preuss:

Ref:

1900 Census, Union Twp., Waupaca Co., WI, ED#126, p10B-11A/106B-107A, frame 20-21/39, taken 20 June 1900, age 14

1910 Census, Union Twp., Waupaca Co., WI, ED#92, p family#110, p6B36B/ frame 12/24, taken 27 Apr 1910, age 25, marr 2 yrs, namr: Amil Price

1920 Census, Union Twp., Waupaca Co., WI, ED#151, p6B/34B, family#110, frame 12/23, taken 22-24 Jan 1920, age 34, name: Amil Price

1930 Census, Helvetia Twp., Waupaca Co., WI, ED#16, p2A/39A, frame 3/11, taken 9 Apr. 1930, age 42, first marr age 23

1940 Census, Helvetia Twp., Waupaca Co., WI, ED#68-16, p4A/165A, family#63, frame 7/14, taken 13 Mat 1940, age 55

Emil Walter Preuss and Amanda Krause had the following children:

119. i. HELEN<sup>8</sup> PREUSS (daughter of Emil Walter Preuss and Amanda Krause) was born on 22 December 1908 in Union Twp., Waupaca Co., WI. She died on 24 December 1976. She married (1) EARL DRAKE. She married (2) CRIST ABITZ.

Notes for Helen Preuss:

Ref:

1910 Census, Union Twp., Waupaca Co., WI, ED#92, p family#110, p6B36B/ frame 12/24, taken 27 Apr 1910, age 1

1920 Census, Union Twp., Waupaca Co., WI, ED#151, p6B/34B, family#110, frame 12/23, taken 22-24 Jan 1920, age 11

- +120. ii. DOROTHY 'DORA' EMMA PREUSS (daughter of Emil Walter Preuss and Amanda Krause) was born on 29 July 1913 in Union Twp., Waupaca Co., WI. She died on 07 July 1985 in Fond du Lac, Fond du Lac Co., WI. She married William Lee in January 1934. He was born on 04 May 1903 in WI<sup>18</sup>. He died in July 1984 in Fond du Lac, Fond du Lac Co., WI<sup>18</sup>.
- +121. iii. FRED HENRY PREUSS (son of Emil Walter Preuss and Amanda Krause) was born on 07 March 1916 in Union Twp., Waupaca Co., WI. He died on 11 November 1980 in Little Wolf, Manawa Twp., WI. He married Elizabeth Ada Rassmussen (daughter of Palmer Rassmussen and Ada Parmeter) on 28 September 1938. She was born on 21 June 1918 in Iola, Waupaca Co., WI. She died on 24 February 1994 in Waupaca Co., WI.
122. iv. LEONA A. PREUSS (daughter of Emil Walter Preuss and Amanda Krause) was born on 09 April 1922 in Union Twp., Waupaca Co., WI. She died on 31 March 1923 in Little Wolf, Manawa Twp., WI.
123. v. ALICE M. PREUSS (daughter of Emil Walter Preuss and Amanda Krause) was born on 09 September 1924 in Union Twp., Waupaca Co., WI. She died on 19 March 2007 in Sheyboygan Falls, Sheyboygan Co., WI. She married William W. Carver in 1944. He was born on 03 December 1911. He died on 15 April 1982 in

---

### Generation 3 (cont.)

Sheyboygan, WI.

Notes for Alice M. Preuss:

Ref:

1930 Census, Helvetia Twp., Waupaca Co., WI, ED#16, p2A/39A, frame 3/11, taken 9 Apr. 1930, age 5

1940 Census, Helvetia Twp., Waupaca Co., WI, ED#68-16, p4A/165A, family#63, frame 7/14, taken 13 Mat 1940, age 15

34. **IDA M.<sup>7</sup> KRAUSE** (Herman Martin<sup>6</sup> Sr., Gggf<sup>5</sup>, ?-A<sup>4</sup>, Branch-One-A<sup>3</sup>, Haplogroup-I2a-F3744-Positive<sup>2</sup>, Schlochau-Branches<sup>1</sup>) was born on 17 March 1893 in Manawa, Waupaca Co., WI. She died on 14 December 1954 in Little Wolf Twp., Waupaca Co., WI. She married George F. Buss in 1912. He was born on 05 August 1890 in WI<sup>18</sup>. He died in July 1964 in WI<sup>18</sup>.

Notes for Ida M. Krause:

Ref:

1900 Census, Little Wolf Twp., Waupaca Co., WI, ED#131, p3B/169B, frame 6/14, taken 11-13 June 1900, age 7

1910 Census, Union Twp., Waupaca Co., WI, ED#92, p1A/31A, family#7, frame 1/24, taken 15 Apr 1910, age 18

1905 Census, Little Wolf Twp., Waupaca Co., WI, p7/327, taken 1 June 1905, age 13

1920 Census, Little Wolf Twp., Waupaca Co., WI, ED#141, p6A/191A, family#105, frame 11/21, taken 20-21 Jan 1920, age 27

Notes for George F. Buss:

Ref:

1920 Census, Little Wolf Twp., Waupaca Co., WI, ED#141, p6A/191A, family#105, frame 11/21, taken 20-21 Jan 1920, age 29

George F. Buss and Ida M. Krause had the following children:

124. i. **ALBERT<sup>8</sup> BUSS** (son of George F. Buss and Ida M. Krause) was born between 1913-1914 in Little Wolf Twp., Waupaca Co., WI. He died on Dead.

Notes for Albert Buss:

Ref:

1920 Census, Little Wolf Twp., Waupaca Co., WI, ED#141, p6A/191A, family#105, frame 11/21, taken 20-21 Jan 1920, age 6

- +125. ii. **ALVIN LOUIS BUSS** (son of George F. Buss and Ida M. Krause) was born on 24 May 1919 in Little Wolf Twp., Waupaca Co., WI. He died on 05 December 1994 in Manawa, Waupaca Co., WI. He married (1) **BERNICE M. KLUG** (daughter of Herman Klug) on 12 October 1940. He married (2) **LORRAINE ALVIRA GARROW** in 1946. She was born on 24 January 1918 in Menasha, Winnebago Co., WI. She died on 02 September 2002. He married (3) **JOYCE OLSON** in 1955.

36. **HERMAN MARTIN<sup>7</sup> KRAUSE JR.** (Herman Martin<sup>6</sup> Sr., Gggf<sup>5</sup>, ?-A<sup>4</sup>, Branch-One-A<sup>3</sup>, Haplogroup-I2a-F3744-Positive<sup>2</sup>, Schlochau-Branches<sup>1</sup>) was born on 10 March 1895 in Manawa, Waupaca Co., WI<sup>18, 20</sup>. He died on 25 February 1976 in Oshkosh, Winnebago Co., WI<sup>18, 20</sup>. He married (1) **GENEVA ROSE VELIE** (daughter of Walter Velie and Cora Belle Thurston) on 16 April 1920 in ?. She was born on 23 February 1905 in St. Lawrence Twp., Waupaca Co., WI. She died on 16 September 1928 in Waupaca Co., WI<sup>21</sup>. He married (2) **VERA CHRISTINA MAUDE PETERSON** on 02 January 1934 in ?. She was born on 14 October 1894 in Northport, WI<sup>20</sup>. She died on 09 January 1965 in Oshkosh, WI<sup>20</sup>.

Notes for Herman Martin Krause Jr.:

Lived in Oshkosh, WI

Ref:

1900 Census, Little Wolf Twp., Waupaca Co., WI, ED#131, p3B/169B, frame 6/14, taken 11-13 June 1900, age 5

1905 Census, Little Wolf Twp., Waupaca Co., WI, p7/327, taken 1 June 1905, age 11



---

### Generation 3 (cont.)

1910 Census, Union Twp., Waupaca Co., WI, ED#92, p1A/31A, family#7, frame 1/24, taken 15 Apr 1910, age 15

1930 Census, New London City(Ward#2), Waupaca Co., WI, ED#29, p2B/148B, frame 4/12, taken 3 Apr. 1930, age 35, widower. His daughter is in the home of Albert Hoppe on the same page

Notes for Geneva Rose Velie:

Ref:

1910 Census, St. Lawrence Twp., Waupaca Co., WI, ED#90, p2A/2A, frame 3/30, taken 16-18 Apr. 1910, age 5

1920 Census, Fremont, Waupaca Co., WI, ED#133, p4B/109B, frame 8/17, taken 21-22 Jan 1920, age 14

Herman Martin Krause Jr. and Geneva Rose Velie had the following children:

- +126. i. ARTHUR THEODORE<sup>8</sup> KRAUSE (son of Herman Martin Krause Jr. and Geneva Rose Velie) was born on 20 September 1921 in Little Wolf Twp., Waupaca Co., WI<sup>28</sup>. He died on 23 February 1998 in New London, Waupaca Co., WI. He married (1) ADELIN ALIZAJA PUBANZ. She was born on 11 May 1924 in Union, Waupaca Co., WI. She died on 16 December 1993 in New London, Waupaca Co., WI. He married (2) CLAUDINE ALICE WORTHINGTON on 19 October 1947 in Watervliet, Barrien Co., MI<sup>29</sup>. She was born on 30 October 1922 in Kalamazoo, Kalamazoo Co., MI. She died on 23 February 1995 in Anecotes, WA. He married (3) ROSELLA MAGDELI 'SALLY' KOEHLER on 14 November 1987 in Manawa, Waupaca Co., WI. She was born on 16 September 1923 in Woodville, St. Croix Co., WI. She died on 30 April 2014 in Appleton, Outagamie Co., WI.
  - 127. ii. ALVIN KRAUSE (son of Herman Martin Krause Jr. and Geneva Rose Velie) was born in 1923 in Little Wolf Twp., Waupaca Co., WI. He died in 1923 in Little Wolf Twp., Waupaca Co., WI.
  - +128. iii. ORVILLE HERMAN KRAUSE (son of Herman Martin Krause Jr. and Geneva Rose Velie) was born on 06 June 1924 in Little Wolf Twp., Waupaca Co., WI<sup>1</sup>. He died on 15 March 1992 in Oshkosh, Winnebago Co., WI<sup>1</sup>. He married Betty Jean Baxter (daughter of Donald B. Baxter and Eva Cartwright) on 15 December 1945 in New London, Waupaca Co., WI. She was born on 09 October 1927 in Waupaca, Waupaca Co., WI<sup>1</sup>. She died on 26 August 2017 in Oshkosh, Winnebago Co., WI<sup>1</sup>.
  - +129. iv. ELEANOR ROSE KRAUSE (daughter of Herman Martin Krause Jr. and Geneva Rose Velie) was born on 01 November 1926 in Manawa, WI<sup>18</sup>. She died on 08 March 1994 in Oshkosh, Winnebago Co., WI. She married (1) JOHN HERMAN WINTERS (son of ? Winters and Lucille ???) before 1943 in ?. He was born on 19 May 1920 in Milwaukee, Milwaukee Co., WI. He died on 18 November 1974 in Phillips, Price Co., WI. She married (2) JOSEPH F. KASARSKY on 24 July 1959. He was born on 25 February 1928 in ?<sup>18</sup>. He died on 29 September 1979 in Oshkosh, Winnebago Co., WI.
  - +130. v. DONALD EDWARD KRAUSE SR. (son of Herman Martin Krause Jr. and Geneva Rose Velie) was born on 30 June 1928 in Waupaca Co., WI. He died on 03 February 2004 in Sherman, Grayson Co., TX. He married (1) REGINA MARIE OVERMAN (daughter of Reginald Ollie Overman and Thelma Vernell Pietri) on 04 July 1950 in Sherman, Grayson Co., TX. She was born on 03 November 1927 in Cleveland, Cuyahoga Co., OH. She died on 24 February 2020 in Sherman, Grayson Co., TX. He married (2) HELEN ??? after 1973.
37. **CARL THEODORE<sup>7</sup> KRAUSE** (Herman Martin<sup>6</sup> Sr., Gggf<sup>5</sup>, ?-A<sup>4</sup>, Branch-One-A<sup>3</sup>, Haplogroup-I2a-F3744-Positive<sup>2</sup>, Schlochau-Branches<sup>1</sup>) was born on 29 April 1897 in Little Wolf, Waupaca Co., WI<sup>15</sup>. He died on 14 March 1964 in New London, Waupaca Co., WI. He married Dessie May Kemp (daughter of George Garfield Kemp and Seborah 'Sabie' Whittington) on 04 February 1920 in Waupaca, Waupaca Co., WI. She was born on 21 May 1903 in WI<sup>22</sup>. She died on 05 July 1989 in Manawa, Waupaca Co., WI<sup>23</sup>.

Notes for Carl Theodore Krause:

---

---

### Generation 3 (cont.)

Ref:

1900 Census, Little Wolf Twp., Waupaca Co., WI, ED#131, p3B/169B, frame 6/14, taken 11-13 June 1900, age 4  
1905 Census, Little Wolf Twp., Waupaca Co., WI, p7/327, taken 1 June 1905, age 8  
1910 Census, Union Twp., Waupaca Co., WI, ED#92, p1A/31A, family#7, frame 1/24, taken 15 Apr 1910, age 13, name: Charlie T.  
1920 Census, Little Wolf Twp., Waupaca Co., WI, ED#141, p3B/188B, frame 6/21, taken 10-12 Jan. 1920, age 22  
1930 Census, Little Wolf Twp., Waupaca Co., WI, ED#22, p10B/99B, frame 21/22, taken 25 Apr. 1930, age 31  
1940 Census, Little Wolf Twp., Waupaca Co., WI, ED#68-22, p5A/234A, family#79, frame 9/26, taken 20 Apr 1940, age 42

Notes for Dessie May Kemp:

Ref:

1930 Census, Little Wolf Twp., Waupaca Co., WI, ED#22, p10B/99B, frame 21/22, taken 25 Apr. 1930, age 26  
1940 Census, Little Wolf Twp., Waupaca Co., WI, ED#68-22, p5A/234A, family#79, frame 9/26, taken 20 Apr 1940, age 37, name: Dessie

Wisconsin, Births and Christenings Index, 1826-1908 about Dessie May Kemp

Name: Dessie May Kemp  
Birth Date: 21 May 1903  
Birth Place: Waupaca, Wisconsin  
Gender: Female  
Race: White  
Father's Name: George Kemp  
Father's Birth Place: Portage County, Wisconsin  
Mother's Name: Labie Whittington  
Mother's Birth Place: Columbus, Indiana  
FHL Film Number: 1305605

Wisconsin Death Index, 1959-1997 about Dessie May Krause

Name: Dessie May Krause  
Death Date: 5 Jul 1989  
Location: Waupaca (May be abbreviated)  
Certificate: 018557

Carl Theodore Krause and Dessie May Kemp had the following children:

- +131. i. EARL T.<sup>8</sup> KRAUSE (son of Carl Theodore Krause and Dessie May Kemp) was born on 07 June 1920 in Little Wolf, Waupaca Co., WI<sup>18</sup>. He died on 29 August 2001 in Neenah, Winnebago Co., WI<sup>18</sup>. He married Harriet M. Kolgen between 1945-1946. She was born on 17 February 1928 in Wisconsin Rapids, WI<sup>18</sup>. She died on 09 November 2007 in Neenah, Winnebago Co., WI<sup>18</sup>.
132. ii. HAROLD F. KRAUSE (son of Carl Theodore Krause and Dessie May Kemp) was born on 18 September 1921 in Little Wolf, Waupaca Co., WI. He died on 17 June 2003 in Farmington, Oakland Co., MI.

Notes for Harold F. Krause:

Ref:

1940 Census, Little Wolf Twp., Waupaca Co., WI, ED#68-22, p5A/234A, family#79, frame 9/26, taken 20 Apr 1940, age 18

- +133. iii. LIVING KRAUSE (daughter of Carl Theodore Krause and Dessie May Kemp). She married HAROLD LISKOW. He was born on 10 October 1917. He died on 06 April 2010 in Sevierville, Sevier Co., TN.

---

### Generation 3 (cont.)

- +134. iv. CARL MARTIN KRAUSE SR. (son of Carl Theodore Krause and Dessie May Kemp) was born on 10 September 1925 in Little Wolf, Waupaca Co., WI<sup>18, 39</sup>. He died on 24 June 1983 in Royal Oak, Oakland Co., MI<sup>5, 18, 39</sup>. He married Betty Mae Miller (daughter of Edward Frederick Miller and Amelia Marie Pagel) on 15 December 1945 in ?. She was born on 12 October 1926 in Medina, WI<sup>18</sup>. She died on 06 April 2011 in Farmington, Oakland Co., MI<sup>18</sup>.
- +135. v. LIVING KRAUSE (daughter of Carl Theodore Krause and Dessie May Kemp). She married LEONARD HAHN. He was born on 17 February 1907 in Manawa, WI. He died on 10 October 1980 in Manawa, WI.
136. vi. ELAINE FAY KRAUSE (daughter of Carl Theodore Krause and Dessie May Kemp) was born on 30 May 1931 in Little Wolf, Waupaca Co., WI. She died on 30 March 2001 in Manawa, Waupaca Co., WI. She married LIVING HASS.
- Notes for Elaine Fay Krause:  
Ref:  
1940 Census, Little Wolf Twp., Waupaca Co., WI, ED#68-22, p5A/234A, family#79, frame 9/26, taken 20 Apr 1940, age 8
- +137. vii. LIVING KRAUSE (daughter of Carl Theodore Krause and Dessie May Kemp). She married JAMES FRANKLIN BURTON JR. (son of James Franklin Burton Sr. and Vesta Hammock). He was born on 26 October 1923 in Battle Creek, Calhoun Co., MI<sup>28</sup>.
- +138. viii. LIVING KRAUSE (daughter of Carl Theodore Krause and Dessie May Kemp). She married LIVING PLOWMAN JR. (son of George 'Clifford' Plowman Sr. and Mary 'Bonita' Finkle).
- +139. ix. LIVING KRAUSE (daughter of Carl Theodore Krause and Dessie May Kemp). She married LIVING WILDHAGEN.
38. **OTTO LEO<sup>7</sup> KRAUSE** (Herman Martin<sup>6</sup> Sr., Gggf<sup>5</sup>, ?-A<sup>4</sup>, Branch-One-A<sup>3</sup>, Haplogroup-I2a-F3744-Positive<sup>2</sup>, Schlochau-Branches<sup>1</sup>) was born on 27 October 1899 in Waupaca Co., WI<sup>18</sup>. He died on 08 November 1984 in New London, Waupaca Co., WI<sup>18</sup>. He married Lorena Anna Miller (daughter of August Miller and Anna Amelia Keup) on 25 November 1919. She was born on 29 December 1902 in Hansen, Wood Co., WI<sup>18, 24</sup>. She died in February 1972 in New London, Outagamie Co., WI<sup>18</sup>.

Notes for Otto Leo Krause:

Ref:

1900 Census, Little Wolf Twp., Waupaca Co., WI, ED#131, p3B/169B, frame 6/14, taken 11-13 June 1900, age 7/12

1905 Census, Little Wolf Twp., Waupaca Co., WI, p7/327, taken 1 June 1905, age 5

1910 Census, Union Twp., Waupaca Co., WI, ED#92, p1A/31A, family#7, frame 1/24, taken 15 Apr 1910, age 10

1930 Census, New London City(Ward#5), Waupaca Co., WI, ED#31, p2B/167B, frame 4/19, taken 10 Apr. 1930, age 30

1940 Census, New London(Ward#5), Waupaca Co., WI, ED#68-31, p2A/340A, family#25, frame 3/22, taken 21 Apr 1940, age 40

Notes for Lorena Anna Miller:

Ref:

1930 Census, New London City(Ward#5), Waupaca Co., WI, ED#31, p2B/167B, frame 4/19, taken 10 Apr. 1930, age 27

1940 Census, New London(Ward#5), Waupaca Co., WI, ED#68-31, p2A/340A, family#25, frame 3/22, taken 21 Apr 1940, age 37, name: Lorraine

Wisconsin, Births and Christenings Index, 1826-1908

Name: Lorena Ann Miller

Birth Date: 29 Dec 1902

Birth Place: Hansen, Wood, Wisconsin

Gender: Female

---

### Generation 3 (cont.)

Race: White  
Father's Name: August Miller  
Father's Birth Place: Germany  
Mother's Name: Anna Keup  
Mother's Birth Place: Tp Sigel, Wood Co.  
FHL Film Number: 1305611

Otto Leo Krause and Lorena Anna Miller had the following children:

140. i. LILA M.<sup>8</sup>KRAUSE (daughter of Otto Leo Krause and Lorena Anna Miller) was born on 13 May 1921 in New London, Waupaca Co., WI. She died on 25 January 2003 in Waupaca Co., WI. She married Gilbert Everts on 29 November 1947. He was born on 22 March 1925. He died on 05 January 1999 in New London, Outagamie Co., WI.

Notes for Lila M. Krause:

Ref:

1930 Census, New London City(Ward#5), Waupaca Co., WI, ED#31, p2B/167B, frame 4/19, taken 10 Apr. 1930, age 9

1940 Census, New London(Ward#5), Waupaca Co., WI, ED#68-31, p2A/340A, family#25, frame 3/22, taken 21 Apr 1940, age 18

141. ii. JOYCE D. KRAUSE (daughter of Otto Leo Krause and Lorena Anna Miller) was born on 02 May 1927 in New London, Waupaca Co., WI. She died on 30 December 2006 in Waupaca, Waupaca Co., WI. She married ERCEL WAYNE MCPEAK. He was born about 1927. He died on 04 September 2004.

Notes for Joyce D. Krause:

Ref:

1930 Census, New London City(Ward#5), Waupaca Co., WI, ED#31, p2B/167B, frame 4/19, taken 10 Apr. 1930, age 2

1940 Census, New London(Ward#5), Waupaca Co., WI, ED#68-31, p2A/340A, family#25, frame 3/22, taken 21 Apr 1940, age 12

---

### Generation 4

39. **EMMA H.<sup>8</sup>MARQUARDT** (Augusta<sup>7</sup>Krause, Johann 'John'<sup>6</sup>Krause Sr., Gggf<sup>5</sup>Krause, William) was born on 15 January 1892 in IL. She died in November 1975. She married Charles Frederick Kramke on 18 April 1917 in Elgin, Kane Co., IL. He was born on 28 December 1888 in Ploato Center, Kane Co., IL. He died on 30 May 1965 in Kane Co., IL.

Notes for Emma H. Marquardt:

Ref:

1900 Census, Hanover Twp., Cook Co., IL, ED#1162, p11B/244B, family#146, frame 22/43, taken 15 June 1900, age 8(Jan 1892)

1910 Census, Elgin(Ward#2), Elgin Twp., Kane Co., IL, ED#62, p4B/63B, family#95, frame 8/16, taken 26 Apr 1910, age 18

Relationship Notes for Charles Frederick Kramke and Emma H. Marquardt:

Name: Emma H Marquardt Or Markwardt

Gender: Female

Age: 25

Birth Date: abt 1892

Marriage Date: 18 Apr 1917

Marriage Place: Kane, Illinois, USA

Spouse: Charles Fredrick Kremke Or Krampke

Film Number: 001481093

Charles Frederick Kramke and Emma H. Marquardt had the following children:

---

### Generation 4 (cont.)

142. i. ELMER HOWARD<sup>9</sup> KRAMKE (son of Charles Frederick Kramke and Emma H. Marquardt) was born on 11 July 1920 in Elgin, Kane Co., IL. He died on 27 August 1972. He married ? ??? on 13 February 1954.
143. ii. KENNETH CHARLES KRAMKE (son of Charles Frederick Kramke and Emma H. Marquardt) was born on 08 December 1924 in Elgin, Kane Co., IL<sup>1</sup>. He died on 03 June 1990<sup>1</sup>. He married Lois Mae Destree on 05 August 1950 in Cook Co., IL. She was born on 20 December 1925 in Cook Co., IL<sup>34</sup>. She died on 20 January 2001 in Arlington, VA<sup>1</sup>.

Notes for Lois Mae Destree:

Name: Lois Destree

Birth Date: 20 Dec 1925

Birth Location: Cook County, IL

File Number: 6057808

Archive collection name: Cook County Genealogy Records (Births)

Archive repository location: Chicago, IL

Archive repository name: Cook County Clerk

42. **ARTHUR 'ART' BENJAMIN<sup>8</sup> MARQUARDT** (Augusta<sup>7</sup> Krause, Johann 'John'<sup>6</sup> Krause Sr., Gggf<sup>5</sup> Krause, William) was born on 27 July 1897 in IL<sup>18</sup>. He died in October 1977 in Elgin, Kane Co., IL<sup>18</sup>. He married **ADELE G. KUNKE**. She was born on 11 March 1897 in IL<sup>18</sup>. She died on 23 February 1988 in Elgin, Kane Co., IL<sup>18</sup>.

Notes for Arthur 'Art' Benjamin Marquardt:

Ref:

1900 Census, Hanover Twp., Cook Co., IL, ED#1162, p11B/244B, family#146, frame 22/43, taken 15 June 1900, age 3(July 1896)

1910 Census, Elgin(Ward#2), Elgin Twp., Kane Co., IL, ED#62, p4B/63B, family#95, frame 8/16, taken 26 Apr 1910, age 12, name: Arthur

1920 Census, Elgin, Elgin Twp., Kane Co., IL, ED#81, p4A/78A, frame 7/34, family#116, taken 5 Jan 1920, age 22, name: Art

1930 Census, Elgin, Elgin Twp., Kane Co., IL, ED#65, p15A/216A, family#388, frame 29/31, taken 14 Apr 1930, age 32, first marr age 29, shows both parents born Meckelborg, Germany. This is questionable for his mother!!!!????

1940 Census, Elgin, Elgin Twp., Kane Co., IL, ED#45-87, p5B/1403B, family#102, frame 10/30, taken 10 Apr 1940, age 42

Notes for Adele G. Kunke:

Ref:

1930 Census, Elgin, Elgin Twp., Kane Co., IL, ED#65, p15A/216A, family#388, frame 29/31, taken 14 Apr 1930, age 32, first marr age 29, both parents born Berlin, Germany

1940 Census, Elgin, Elgin Twp., Kane Co., IL, ED#45-87, p5B/1403B, family#102, frame 10/30, taken 10 Apr 1940, age 43

Arthur 'Art' Benjamin Marquardt and Adele G. Kunke had the following child:

144. i. ELAINE MAY<sup>9</sup> MARQUARDT (daughter of Arthur 'Art' Benjamin Marquardt and Adele G. Kunke) was born on 23 July 1930 in Elgin, Kane Co., IL. She died on 11 February 2003.

Notes for Elaine May Marquardt:

Ref:

1940 Census, Elgin, Elgin Twp., Kane Co., IL, ED#45-87, p5B/1403B, family#102, frame 10/30, taken 10 Apr 1940, age 9

43. **ELSIE NELLIE<sup>8</sup> MARQUARDT** (Augusta<sup>7</sup> Krause, Johann 'John'<sup>6</sup> Krause Sr., Gggf<sup>5</sup> Krause, William) was born on 12 August 1899 in Elgin, Kane Co., IL<sup>37</sup>. She died on 28 December 1955 in Owatonna, Steele Co., MN<sup>37</sup>. She married **ERIC FREDERICK BRAUN** (son of Hermann Braun and Johanna Strahl). He was born on 27 February 1903 in Germany<sup>1, 18</sup>. He died on 02 August 2003 in Owatonna, Steele Co., MN<sup>1, 18</sup>.

Notes for Elsie Nellie Marquardt:

Ref:

1900 Census, Hanover Twp., Cook Co., IL, ED#1162, p11B/244B, family#146, frame 22/43, taken

---

### Generation 4 (cont.)

15 June 1900, age 10/12(Aug 1899), name: Nellie  
1910 Census, Elgin(Ward#2), Elgin Twp., Kane Co., IL, ED#62, p4B/63B, family#95, frame 8/16,  
taken 26 Apr 1910, age 10, name: Elsie  
1920 Census, Elgin, Elgin Twp., Kane Co., IL, ED#81, p4A/78A, frame 7/34, family#116, taken 5  
Jan 1920, age 20, name: Nellie

Minnesota, Death Index, 1908-2002 about Nellie C. Braun

Name: Nellie C. Braun  
Birth Date: 12 Aug 1899  
Death Date: 28 Dec 1955  
Death County: Steele  
Mother's Maiden Name: Krause  
State File Number: 016611  
Certificate Number: 016611  
Certificate Year: 1955  
Record Number: 1292750

Eric Frederick Braun and Elsie Nellie Marquardt had the following child:

+145. i. LIVING BRAUN (daughter of Eric Frederick Braun and Elsie Nellie Marquardt). She married **CARL LYLE ROSEN**. He was born on 26 May 1931 in Brooklyn, NY<sup>34</sup>. He died on 12 March 2012 in Canton, Stark Co., OH.

45. **WILLIAM 'WILLIE' AUGUST<sup>8</sup> MARQUARDT SR.** (Augusta<sup>7</sup> Krause, Johann 'John'<sup>6</sup> Krause Sr., Gggf<sup>5</sup> Krause, William) was born on 27 September 1906 in IL<sup>12, 18</sup>. He died in June 1975 in Elgin, Kane Co., IL<sup>18</sup>. He married Lillian Loraine Hilliard between 1928-1929. She was born on 10 August 1909 in MI<sup>18</sup>. She died in May 1975 in Elgin, Kane Co., IL<sup>18</sup>.

Notes for William 'Willie' August Marquardt Sr.:

Ref:

1920 Census, Elgin, Elgin Twp., Kane Co., IL, ED#81, p4A/78A, frame 7/34, family#116, taken 5  
Jan 1920, age 13  
1930 Census, Elgin, Kane Co., IL, ED#55, p12B/74B, family#337, frame 24/29, taken 12 Apr 1930,  
age 23, first marr age 22  
1940 Census, Elgin, Elgin Twp., Kane Co., IL, ED#45-76, p4A/1212A, family#79, frame 7/34, taken  
10 Apr 1940, age 33

U.S., Social Security Death Index, 1935-Current about William Markwardt

Name: William Markwardt  
SSN: 330-03-6792  
Last Residence: 60120 Elgin, Kane, Illinois, USA  
Born: 27 Sep 1906  
Died: Jun 1975  
State (Year) SSN issued: Illinois (Before 1951)

Notes for Lillian Loraine Hilliard:

Ref:

1930 Census, Elgin, Kane Co., IL, ED#55, p12B/74B, family#337, frame 24/29, taken 12 Apr 1930,  
age 20, first marr age 19, both parents b MI  
1940 Census, Elgin, Elgin Twp., Kane Co., IL, ED#45-76, p4A/1212A, family#79, frame 7/34, taken  
10 Apr 1940, age 30

William 'Willie' August Marquardt Sr. and Lillian Loraine Hilliard had the following child:

+146. i. **WILLIAM AUGUST<sup>9</sup> MARQUARDT JR.** (son of William 'Willie' August Marquardt Sr. and Lillian Loraine Hilliard) was born on 19 September 1930 in Elgin, Kane Co., IL<sup>40</sup>. He died in July 1959 in ?. He married Norma Jean Kane date Unknown in ?. She was born on 08 June 1932 in Elgin, Kane Co., IL<sup>40</sup>.

46. **ELLA BERTHA<sup>8</sup> KRAUSE** (John<sup>7</sup> Jr., Johann 'John'<sup>6</sup> Sr., Gggf<sup>5</sup>, ?-A<sup>4</sup>, Branch-One-A<sup>3</sup>,

---

### Generation 4 (cont.)

Haplogroup-I2a-F3744-Positive<sup>2</sup>, Schlochau-Branches<sup>1</sup>) was born on 21 July 1894 in Elgin, Kane Co., IL<sup>18</sup>. She died in July 1975 in Elgin, Kane Co., IL<sup>18</sup>. She married William Arthur Schneff between 1914-1915. He was born on 23 September 1894 in Cedar Rapids, Linn Co., IA<sup>12, 18</sup>. He died on 22 January 1985 in Elgin, Kane Co., IL<sup>18</sup>.

Notes for Ella Bertha Krause:

Ref:

1900 Census, Elgin Twp., Kane Co., IL, ED#90, p1A/329A, frame 1/30, taken 16 June 1900, age 5(July 1894)

1910 Census, Elgin City(Ward#6), Kane Co., IL, ED#72, p13B/220B, frame 26/30, taken 28 Apr. 1910, age 16

1920 Census, #524 South State Sreet, Elgin City, Kane Co., IL, ED#89, p6B/200B, frame 12/14, taken 5 Feb. 1920, age 25

1930 Census, #274 N Commonwealth Ave., Elgin City, Kane Co., IL, ED#68, p10B/251B, frame 20/26, taken 10 Apr. 1930, age 35

Notes for William Arthur Schneff:

Ref:

1920 Census, #524 South State Sreet, Elgin City, Kane Co., IL, ED#89, p6B/200B, frame 12/14, taken 5 Feb. 1920, age 26

1930 Census, #274 N Commonwealth Ave., Elgin City, Kane Co., IL, ED#68, p10B/251B, frame 20/26, taken 10 Apr. 1930, age 35

William Arthur Schneff and Ella Bertha Krause had the following children:

- +147. i. ROBERT W. O.<sup>9</sup> SCHNEFF (son of William Arthur Schneff and Ella Bertha Krause) was born on 11 December 1920 in Elgin, Kane Co., IL. He died on 03 August 2003 in Elgin, Kane Co., IL. He married A. Marjorie Berger on 21 October 1944 in McComb, MS. She was born on 19 July 1921<sup>18</sup>. She died on 07 September 2006 in Elgin, Kane Co., IL<sup>18</sup>.
  - +148. ii. DOROTHY MAE SCHNEFF (daughter of William Arthur Schneff and Ella Bertha Krause) was born on 09 April 1925 in Elgin, Kane Co., IL<sup>18</sup>. She died on 13 January 2007 in Sterling, Whiteside Co., IL<sup>18</sup>. She married ROLAND V. LEROUX. He was born on 14 February 1922<sup>18</sup>. He died on 23 June 2004 in Sterling, Whiteside Co., IL<sup>18</sup>.
47. **IRENE EDNA<sup>8</sup> KRAUSE** (John<sup>7</sup> Jr., Johann 'John'<sup>6</sup> Sr., Gggf<sup>5</sup>, ?-A<sup>4</sup>, Branch-One-A<sup>3</sup>, Haplogroup-I2a-F3744-Positive<sup>2</sup>, Schlochau-Branches<sup>1</sup>) was born on 10 April 1896 in Elgin, Kane Co., IL. She died on 23 July 1982 in Elgin, Kane Co., IL. She married Frank W. Huckstedt (son of Theodore Huckstedt and Ricka ???) between 1923-1924. He was born on 31 August 1898 in Elgin, Kane Co., IL. He died in April 1962 in Elgin, Kane Co., IL.

Notes for Irene Edna Krause:

Ref:

1900 Census, Elgin Twp., Kane Co., IL, ED#90, p1A/329A, frame 1/30, taken 16 June 1900, age 4(Apr 1896)

1910 Census, Elgin City(Ward#6), Kane Co., IL, ED#72, p13B/220B, frame 26/30, taken 28 Apr. 1910, age 14

1920 Census, #524 South State Sreet, Elgin City, Kane Co., IL, ED#89, p6B/200B, frame 12/14, taken 5 Feb. 1920, age 23

1930 Census, #564 Franklin Blvd., Elgin City(Precinct#8), Kane Co., IL, ED#58, p4A-B/107A-B, frame 7-8/27, taken 4 Apr. 1930, age 33

Notes for Frank W. Huckstedt:

Ref:

1900 Census, Elgin(Ward#2), Kane Co., IL, ED#96, p2/39A, frame 3/30, taken 2 June 1900, age 1

1930 Census, #564 Franklin Blvd., Elgin City(Precinct#8), Kane Co., IL, ED#58, p4A-B/107A-B, frame 7-8/27, taken 4 Apr. 1930, age 31

Frank W. Huckstedt and Irene Edna Krause had the following child:

- 149. i. DORIS<sup>9</sup> HUCKSTEDT (daughter of Frank W. Huckstedt and Irene Edna Krause) was born about May 1925 in Elgin, Kane Co., IL. She died about 1993.

---

## Generation 4 (cont.)

Notes for Doris Huckstedt:

Ref:

1930 Census, #564 Franklin Blvd., Elgin City(Precinct#8), Kane Co., IL, ED#58, p4A-B/107A-B, frame 7-8/27, taken 4 Apr. 1930, age 4 11/12

50. **WILLIAM H.<sup>8</sup> KNICKREHM** (Caroline 'Carrie' Johanna<sup>7</sup> Krause, Johann 'John'<sup>6</sup> Krause Sr., Gggf<sup>5</sup> Krause, William H., Hans Heinrich Wilhelm, Wilhelm, ?, Root-Knickrehm) was born on 04 May 1889 in Elgin, Kane Co., IL. He died on 31 July 1952. He married (1) **LYDIA MAE HUTCHINSON** on 10 February 1909 in Kane Co., IL. She was born on 24 September 1890 in Crystal Lake, McHenry Co., IL. She died on 11 April 1985 in Elgin, Kane Co., IL. He married (2) **ANNA ANDREASON**. She was born in 1889. She died on 19 July 1952.

Notes for William H. Knickrehm:

Ref:

1910 Census, Elgin City(Ward#6), Kane Co., IL, ED#72, p15B/222B, frame 30/30, taken 29-30 Apr. 1910, age 20

Notes for Lydia Mae Hutchinson:

Ref:

1910 Census, Elgin City(Ward#6), Kane Co., IL, ED#72, p15B/222B, frame 30/30, taken 29-30 Apr. 1910, age 19, m 1 yr, no children

William H. Knickrehm and Lydia Mae Hutchinson had the following child:

- +150. i. **HOWARD RUSSELL<sup>9</sup> KNICKREHM** (son of William H. Knickrehm and Lydia Mae Hutchinson) was born on 20 October 1911 in Elgin, Kane Co., IL. He died in April 1975 in Bartlett, Cook Co., IL. He married Janet Margueritte Bell on 23 November 1938 in Kane Co., IL. She was born on 18 October 1914 in Ewing, Franklin Co., IL. She died in May 1982 in Bartlett, Cook Co., IL.
52. **EMMA BERTHA<sup>8</sup> KNICKREHM** (Caroline 'Carrie' Johanna<sup>7</sup> Krause, Johann 'John'<sup>6</sup> Krause Sr., Gggf<sup>5</sup> Krause, William H., Hans Heinrich Wilhelm, Wilhelm, ?, Root-Knickrehm) was born on 13 July 1892 in St. James, Watonwan Co., MN. She died on 13 August 1935 in Chicago, Cook Co., IL. She married Lewis William Bull (son of August Bull) on 22 January 1918 in Kane Co., IL. He was born on 12 February 1884 in Bartlett, IL. He died on 18 April 1957 in Elgin, Kane Co., IL.

Notes for Emma Bertha Knickrehm:

Ref:

1910 Census, Elgin City(Ward#6), Kane Co., IL, ED#72, p15A/222A, frame 29/30, taken 29-30 Apr. 1910, age 17

Lewis William Bull and Emma Bertha Knickrehm had the following child:

- +151. i. **LEROY LEWIS<sup>9</sup> BULL** (son of Lewis William Bull and Emma Bertha Knickrehm) was born on 04 September 1920 in Elgin, Kane Co., IL. He died on 06 December 1971 in Elgin, Kane Co., IL. He married Mary Jane Gladys McMahon on 19 June 1948 in Elgin, Kane Co., IL. She was born on 16 May 1916. She died on Dead.
54. **CLARA G.<sup>8</sup> KNICKREHM** (Caroline 'Carrie' Johanna<sup>7</sup> Krause, Johann 'John'<sup>6</sup> Krause Sr., Gggf<sup>5</sup> Krause, William H., Hans Heinrich Wilhelm, Wilhelm, ?, Root-Knickrehm) was born on 05 February 1898 in Elgin, Kane Co., IL<sup>36</sup>. She died on 15 February 1940 in Rockford, Winnebago Co., IL<sup>36</sup>. She married Henry Hansing before 1924. He was born on 10 February 1898 in Marengo, McHenry Co., IL<sup>36</sup>. He died on 25 August 1984 in Rockford, Winnebago Co., IL<sup>36</sup>.

Notes for Clara G. Knickrehm:

Ref:

1910 Census, Elgin City(Ward#6), Kane Co., IL, ED#72, p15A/222A, frame 29/30, taken 29-30 Apr. 1910, age 12

Henry Hansing and Clara G. Knickrehm had the following child:

- +152. i. **DONALD H. 'DON'<sup>9</sup> HANSING** (son of Henry Hansing and Clara G. Knickrehm) was born on 17 September 1924 in Rockford, Winnebago Co., IL<sup>36</sup>. He died on 11 October 2017 in Rockford, Winnebago Co., IL<sup>36</sup>. He married Lois Odelius on 18 May 1946 in Rockford, Winnebago Co., IL. She was born on 26 April 1923<sup>36</sup>. She died on 23 May 2005 in Rockford, Winnebago Co., IL<sup>36</sup>.
56. **EDWIN HENRY<sup>8</sup> KRAUSE** (Carl 'Charlie' Gustav William<sup>7</sup>, Johann 'John'<sup>6</sup> Sr., Gggf<sup>5</sup>, ?-A<sup>4</sup>, Branch-One-A<sup>3</sup>, Haplogroup-I2a-F3744-Positive<sup>2</sup>, Schlochau-Branches<sup>1</sup>) was born on 05 June 1911 in 34-18-2 W3, (Thunder Creek P.O.) , Parkbeg, SK. He died on 19 January 2003 in Moose Jaw, SK<sup>17</sup>. He married Hilda Annie Andrews (daughter of Horace



---

## Generation 4 (cont.)

Charles Andrews and Annie Laurie Martins-Coe) on 01 January 1938 in 34-18-2 W3 Thunder Creek P.O. , Parkbeg, Sask. She was born on 28 July 1919 in 17-16-29 W2, Caron Municipality, SK<sup>26-27</sup>. She died on 30 June 2008 in Moose Jaw, SK.

Notes for Edwin Henry Krause:

Ref:

1921 Census, RM Wheatlands #163, Swift Current, SK, Dist 228, ED#41, p5A, family#55, frame 6/10, taken 14-21 June 1921, age 10, name: Edwin Henry Krause

1926 Census, Wheatlands RM, MooseJaw Dist, SK, Dist 27-35, p4, family#45, age 15

[Photograph taken about 1992](http://freepages.genealogy.rootsweb.com/~aek740/609.jpg)

Some of my son's grandchildren:

Special note for those who may see this info on WC. The use of [ and { is to aid those who try to read the HTML code when this document is viewed in a PDF report that shows all the HTML text but the person reading wants to only read it as it would appear when viewed by a browser. The following is being used: [ HTML text {this is the text that would be shown in blue as the link} ]

Jordan Krause, Two Photos:

This is to show how text and the hyperlink will look when displayed on a system.

1)[ [Canada and Krause Win Gold.](https://freepages.rootsweb.com/~aek740/genealogy/images/KKR-Br-1/A/Jordan-Canada%20Wins%20Gold.JPG)] This is some text on the same line as the link.

2)[[Jordan Worlds U18.](https://freepages.rootsweb.com/~aek740/genealogy/images/KKR-Br-1/A/Jordan-Worlds-U18.JPG)] A collage of pictures from the U18 Series.

Tyler Krause, Two images:

Tylers Hockey stats while he was playing in the BCHL

3)[[Tyler BCHL 2011-2012 with Westside Warriors.](https://freepages.rootsweb.com/~aek740/genealogy/images/KKR-Br-1/A/Tyler-BCHL.JPG)] Summary: 2011-2012 Season 24 GP, 12 G, 17 A, 29 Points Westside Warriors

4)[[Tyler AJHL 2011-2012 with Okotoks Oilers.](https://freepages.rootsweb.com/~aek740/genealogy/images/KKR-Br-1/A/Tyler-AJHL.JPG)] Summary: 2011-2012 Season: 27 GP, 23 G, 18 A, 41 Points  
Total Stats for 2011-2012, Season( Westside & Okotoks ) 51 Games Played, 35 Goals, 35 Assists, 70 Points, Points/Game 1.37  
2011-2012 Regular Season and Playoffs( Westside & Okotoks). 60 GP, 43 G, 40 A, 83 Points

Stats for AJHL including Playoffs:2011-2012 Season and Playoffs. Summary: 36 GP, 31 G, 23 A, 54 Points

Career Total: Westside & Okotoks, 203 GP, 72 G, 101 A, 173 Points

Okotoks Oilers Team Leader Scoring:

2011-2012 Regular Season, 59 GP, 30 G, 32 A, 62 Points

2011-2012 Regular Season and Playoffs. 68 GP, 32 G, 37 A, 69 Points

Career Totals: with Okotoks Oilers, 211 GP, 75 G, 97 A, 172 Points

When Tyler's stats for the year 2011-2012(Westside & Okotoks) are compared to the Okotoks Oilers Leader in Scoring they can be summarized as:

---

### Generation 4 (cont.)

Tyler: Total Stats for 2011-2012, Regular Season( Westside & Okotoks ) 51 Games Played, 35 Goals, 35 Assists, 70 Points  
Team Leader: 2011-2012, Okotos Oilers, Regular Season, 59 GP, 30 G, 32 A, 62 Points  
Tyler's stats are better but since his stats from the BCHL were not transferable to the AJHL then he was not eligible for this award and instead receive what was called the "Unsung Hero's Award" from the team at their closing banquet held on 25 March 2012.  
Well done Tyler, we are proud of you.

A Special Collage of pictures has put together by Tylers parents and show his 2011-2012 Hockey season. [[Target="\\_blank" href="https://freepages.rootsweb.com/~aek740/genealogy/images/KKR-Br-1/A/Tyler-Collage.JPG"](https://freepages.rootsweb.com/~aek740/genealogy/images/KKR-Br-1/A/Tyler-Collage.JPG)]  
>{Tyler-Collage-2011-2012 Hockey Season. }</a>]

Edwin Henry Krause passed away peacefully in his sleep at Extencicare on January 19, 2003. Ed was born at the family farm in the Parkbeg District on June 5, 1911 to Charlie and Alvina (Zielke) Krause. He spent his entire life except for the last 22 months at the farm where he was raised in the Parkbeg and Eskbank Districts. Ed's pride and joy in life was his family, farm, and nature. He had a great respect and appreciation for the land and all it grew. Ed was an avid weather watcher and dearly loved animals. He enjoyed hunting, fishing, curling, and community activities. Predeceased by his brother, Albert in 1999; sister, Annie Parsons in 2000; daughter, Barbara McIntyre in 1994; and grandson, Dean McIntyre in 2001. Ed is survived by his son, Arnold (Lila) Krause of Saskatoon; daughter, Marlene (Garry) Bruce of Calgary; and their mother, Hilda; grandchildren: Janet (Trevor) Wannop of Calgary; Jeffrey (Andrea) Krause of Edmonton; Jocelyn Krause of Saskatoon; Lori (Grant) Henningsen of Duluth, MN; Brian Bruce (Marcella) of Curacao; and Trent (Stacey) McIntyre of Moose Jaw; great-grandchildren: Tyler and Jordan Krause; Spencer, Connor, and Justin Wannop; Rebecca and Katelyn Henningsen; and Chloe McIntyre; son-in-law, Don (Kathy) McIntyre of Moose Jaw; nieces, nephews and his other relatives. Memorialization will take place at Sunset Cemetery on Friday, January 24, at 10:30 am. Those wishing to join the cortege may meet at the Funeral Home east parking lot at 10:15 am. A Service of Remembrance will be held at W.J.Jones & Son Chapel on Friday January 24, 2003 at 1:30 pm. Della Ferguson will officiate. In lieu of flowers, memorials to the Cancer Society, 223 Fairford St.E., Moose Jaw, S6H 0E1, the Sask. Heart and Stroke Foundation, Box 521, Moose Jaw, S6H 4P2, or a charity of your choice would be appreciated. In living memory of Edwin, a tree will be planted in Wakamow Valley by W.J.Jones & Son Funeral Home. [www.wjjonesandson.com](http://www.wjjonesandson.com)

Notes for Hilda Annie Andrews:

Hilda Annie (Andrews) Krause passed away peacefully on 30 June 2008 at Moose Jaw Union Hospital with her family at her side. The Funeral Service will be held at W.J.Jones & Son Chapel on Monday July 7, 2008 at 2:30 pm. Della Ferguson will officiate. The interment will take place prior to the Service at Sunset Cemetery at 1:30 pm. Those wishing to join the cortege may meet at the Funeral Home at 1:15 pm. In living memory of Hilda, a tree will be planted in Besant Park by W. J. Jones & Son Funeral Home. Please sign the memorial register book at website: [www.wjjonesandson.com](http://www.wjjonesandson.com) (Obituaries). W.J.Jones & Son Funeral Home Moose Jaw 1-877-693-4644 (Regina Leader-Post: July 5, 2008)

Hilda Annie (Andrews) Krause passed away peacefully on 30 June 2008 at Moose Jaw Union Hospital with her family at her side. Hilda was born 28 July 1919, in the Caron District to Horace and Annie Laurie (Martins Coe) Andrews. She is survived by her son, Arnold (Lila) Krause of Saskatoon; daughter, Marlene (Garry) Bruce of Calgary; grandchildren: Janet (Trevor) Wannop, Jeffrey (Andrea) Krause, Lori (Grant) Henningsen, Brian Bruce (Marcella), Jocelyn Krause (Daniel Buxton), Trent (Stacey) McIntyre; and great-grandchildren: Tyler and Jordan Krause; Spencer, Connor, and Justin Wannop; Rebecca and Katelyn Henningsen; Chloe and Gage McIntyre; her sisters: Ruth McIntyre, Ethel Lynn Stratford, Bernice Austin, Violet (Paul) Sapergia; and by her half-sisters, Olive Russell, Darlene (Edward) Kitzul, and Marilyn Andrews; half brother, Ivan Andrews; and step-mother, Helen Andrews; and several nieces, nephews and other relatives. She is predeceased by her parents; sister, Rosamond Dykstra; brother, Leslie Andrews; daughter, Barbara McIntyre; grandson Dean McIntyre; and Edwin Krause. Hilda and Edwin were married and settled in the Parkbeg district. Hilda was active in many activities which included: tending her large

---

## Generation 4 (cont.)

garden and fruit orchard as many can attest to her canning and preserving abilities that she shared with her family and friends. Later she became involved" with the 4H program, curling, sewing, and quilting. The sewing and quilting became a life long hobby as she took classes then returned to her community to pass on her learning and skills to others. In June 1990, Hilda was one of seven women in Moose Jaw to establish the "Prairie Hearts Quilt Guild". This guild was very dear to her heart as well as the many friends that she made while making beautiful quilts. These quilts, quillos, and baby blankets have been enjoyed by many including her children, grandchildren and great-grandchildren. Our sincere thanks to the staff of Chateau St.Michael and First and Second floors at the Moose Jaw Union Hospital for their special care of our mother, and for the support shown to the family during her illness. The Funeral Service will be held at W.J.Jones & Son Chapel on Monday July 7, 2008 at 2:30 pm. Della Ferguson will officiate. The interment will take place prior to the Service at Sunset Cemetery at 1:30 pm. Those wishing to join the cortege may meet at the Funeral Home at 1:15 pm. In living memory of Hilda, a tree will be planted in Besant Park by W.J.Jones & Son Funeral Home. [www.wjjonesandson.com](http://www.wjjonesandson.com)

Edwin Henry Krause and Hilda Annie Andrews had the following children:

- +153. i. **LIVING KRAUSE** (son of Edwin Henry Krause and Hilda Annie Andrews). He married **LIVING JACKSON** (daughter of Harry Leonard Jackson Sr. and Beulah Irene Thompson).
  - +154. ii. **LIVING KRAUSE** (daughter of Edwin Henry Krause and Hilda Annie Andrews). She married **GLENN 'GARRY' BRUCE** (son of Glenn Carnegie Bruce and Ethel 'Hope' Braendle). He was born on 24 June 1935 in Birtle, Manitoba. He died on 24 April 2019 in Calgary, AB.
  - +155. iii. **BARBARA ANNE KRAUSE** (daughter of Edwin Henry Krause and Hilda Annie Andrews) was born on 01 March 1946 in Moose Jaw, SK<sup>17</sup>. She died on 16 April 1994 in Moose Jaw, SK<sup>17</sup>. She married **LIVING MCINTYRE** (son of Neil McIntyre and Laura Minetta Chappel).
57. **ANNIE AMELIA CAROLINE<sup>8</sup> KRAUSE** (Carl 'Charlie' Gustav William<sup>7</sup>, Johann 'John'<sup>6</sup> Sr., Gggf<sup>5</sup>, ?-A<sup>4</sup>, Branch-One-A<sup>3</sup>, Haplogroup-I2a-F3744-Positive<sup>2</sup>, Schlochau-Branches<sup>1</sup>) was born on 20 May 1913 in 34-18-2 W3 Thunder Creek P.O. , Parkbeg, Sask. She died on 15 May 2000 in Moose Jaw, SK. She married (1) **WALTER WINKLER** (son of Rudolf Gottlieb Winkler and Rosalinda Juliana Parine) on 08 January 1933 in 34-18-2 W3 Thunder Creek P.O. , Parkbeg, Sask. He was born on 29 August 1903 in Zell, Zurich, Switzerland. He died on 27 August 1982 in Moose Jaw, Saskatchewan, Canada. She married (2) **ALLISTER HUMPHREY SMART** (son of Herbert Johnson Smart and Lillies Love Humphrey) in 1950 in ?. He was born on 10 November 1916 in Tugaske, Saskatchewan. He died on 20 July 2001 in Moose Jaw, SK. She married (3) **WILLIAM ALLAN PARSONS** in 1980. He was born on 08 April 1912 in Stoughton, Saskatchewan<sup>17</sup>. He died on 23 January 1993 in Moose Jaw, Saskatchewan, Canada<sup>17</sup>.

Notes for Annie Amelia Caroline Krause:

Ref:

1921 Census, RM Wheatlands #163, Swift Current, SK, Dist 228, ED#41, p5A, family#55, frame 6/10, taken 14-21 June 1921, age 8, name: Annie Amelia Krause

1926 Census, Wheatlands RM, MooseJaw Dist, SK, Dist 27-35, p4, family#45, age 13, name: Anna Amelia

Walter Winkler and Annie Amelia Caroline Krause had the following children:

- +156. i. **CARL WALTER<sup>9</sup> WINKLER** (son of Walter Winkler and Annie Amelia Caroline Krause) was born on 10 October 1933 in Bob Hamon Farm, Parkbeg District, SK. He died on 15 April 2019 in Moose Jaw, SK. He married **LIVING JACKSON** (daughter of Arthur Douglas Jackson and Geneva Grace Brownlee).
- +157. ii. **LOIS 'ELAINE' WINKLER** (daughter of Walter Winkler and Annie Amelia Caroline Krause) was born on 31 October 1935 in Krause farm, 34-18-2 W3 Thunder Creek P.O. , Parkbeg, Sask. She died on 10 August 2010 in Moose Jaw, SK. She married (1) **HUBERT JACQUES BLANCHARD** (son of Charles Emile Blanchard and Delvina Pourier) on 30 September 1952 in Moose Jaw, Saskatchewan, Canada. He was born on 02 November 1929 in Gravelbourg, Saskatchewan. He died on 22 August 1983 in Parkbeg, Saskatchewan. She married (2) **ALBERT BROUSSEAU** on 25 October 1985 in Moose Jaw, Saskatchewan, Canada. He was born on 11 October 1921. He died before 2010.
- +158. iii. **LIVING WINKLER** (daughter of Walter Winkler and Annie Amelia Caroline Krause). She married (1) **LIVING HARRIS** (son of John Donald 'Jack' Harris and Mary 'Molly' Christie). She married (2) **LIVING HENNIG**. She married (3) **LIVING DUMONCEAU** (son of ? Dumonceau and ? ???).

Allister Humphrey Smart and Annie Amelia Caroline Krause had the following child:

---

### Generation 4 (cont.)

- +159. i. LIVING SMART (daughter of Allister Humphrey Smart and Annie Amelia Caroline Krause). She married (1) LIVING LONGMIRE. She met (2) LIVING PAQUIN. She met (3) LIVING SEABROOK (son of Samuel Roy Seabrook and Goldie Beatrice Andrews). She married (4) LIVING FODE. She married (5) LIVING MOSKALIUK.
58. **ALBERT CARL<sup>8</sup> KRAUSE** (Carl 'Charlie' Gustav William<sup>7</sup>, Johann 'John'<sup>6</sup> Sr., Gggf<sup>5</sup>, ?-A<sup>4</sup>, Branch-One-A<sup>3</sup>, Haplogroup-I2a-F3744-Positive<sup>2</sup>, Schlochau-Branches<sup>1</sup>) was born on 25 August 1915 in 34-18-2 W3 Thunder Creek P.O. , Parkbeg, Sask. He died on 31 August 1999 in Moose Jaw, SK. He married Annetta Viola Zilkie (daughter of Adolph William Zilke and Emma Sophie Fennern) on 11 September 1938 in 34-18-2 W3 Thunder Creek P.O. , Parkbeg, Sask. She was born on 02 July 1914 in Westhope, Bottineau Co., North Dakota, U.S.A.. She died on 25 March 2000 in Moose Jaw, SK.

Notes for Albert Carl Krause:

Ref:

1921 Census, RM Wheatlands #163, Swift Current, SK, Dist 228, ED#41, p5A, family#55, frame 6/10, taken 14-21 June 1921, age 5, name: Albert Karl Krause

1926 Census, Wheatlands RM, MooseJaw Dist, SK, Dist 27-35, p4, family#45, age 11

The following is information that I was told by my father, Edwin Krause:

This entry of John Krause as the father of Albert is based on the following:

One day in 2001, my father, Edwin, told me that Albert was not his brother but was his half-brother. I didn't say anything, just listened. A week later he said the same thing and this time, I asked him how did he know that. His reply was that his sister, Annie, had told him. As she had seen the hired man creep into the bed-room when my grand-father was away in hospital. I didn't ask anything more and Dad didn't offer anymore explanation.

This seems hardly plausible as Annie would have been only 18 months old and would have been too young to remember this event.

When it came time for Y-Chromosome DNA testing, I didn't include the descendants of Albert at first as I was unsure about the tale that I had been told. Finally, I had Steven Krause tested and his Y-Chromosome results showed that he was a closer match to my Krause line than even what I was as I had a mutation that was unique to myself. If the tale is true then this mutation was either my Grand-father, Father, or me. If the tale is false then the mutation is either my Father or myself. My Grand-father had been kicked by a horse that hit him in the groin/crotch area. This may have caused great damage and he was unable to sire any more children. Being a farmer with only one son and daughter, If he wanted a second son then who best than his brother, John. I have photographs of John Krause being at the farm but don't know the exact time and year.

Notes for Annetta Viola Zilkie:

Ref:

1921 Census, RM Reno, Maple Creek Dist, SK, ED# 220-22, p5, family#31, frame 6/24, age 7, b SK

Albert Carl Krause and Annetta Viola Zilkie had the following children:

- +160. i. CHARLES ALBERT<sup>9</sup> KRAUSE (son of Albert Carl Krause and Annetta Viola Zilkie) was born on 18 December 1939 in Moose Jaw, Saskatchewan, Canada. He died on 27 November 1973 in Moose Jaw, Saskatchewan, Canada. He married LIVING BLISS (daughter of George Edward Valentine Bliss Jr. and Marie-Anne Justine LeGare).
- +161. ii. BETTY ANN IRENE KRAUSE (daughter of Albert Carl Krause and Annetta Viola Zilkie) was born on 25 February 1942 in Moose Jaw, Saskatchewan, Canada. She died on 14 December 2012 in Moose Jaw, SK. She married LIVING WILKINSON (son of George William Wilkinson and Jessie McQuarrie Kerr).
59. **MINNIE B.<sup>8</sup> LORENZ** (Hulda Wilhelmine<sup>7</sup> Krause, Johann 'John'<sup>6</sup> Krause Sr., Gggf<sup>5</sup> Krause, Frank Henry, Joseph J., John) was born on 16 December 1898 in St. James, Watonwan Co., MN. She died on 29 August 1987 in St. James, Watonwan Co., MN.. She married Walter Clarence Lange (son of John F. Lange and Ella Mische) on 06 May 1917 in St. James, Watonwan, MN. He was born on 08 October 1894 in Nelson Twp., MN., USA<sup>18</sup>. He died in May 1974 in St. James, Watonwan, MN<sup>18</sup>.

---

## Generation 4 (cont.)

Notes for Minnie B. Lorenz:

Ref:

1900 Census, Rosendale Twp., Watonwan Co., MN, ED#268, p2A/79A, family#28, frame 3/12, taken 5 June 1900, age 5/12(Dec 1899)

1920 Census, Nelson Twp., Watonwan Co., MN, ED#218, p6A/232A, frame 11/28, taken 15 Jan. 1920, age 21

1930 Census, Nelson Twp., Watonwan Co., MN, ED#12, p7A/74A, frame 13/14, taken 22 Apr. 1930, age 30

Notes for Walter Clarence Lange:

Ref:

1920 Census, Nelson Twp., Watonwan Co., MN, ED#218, p6A/232A, frame 11/28, taken 15 Jan. 1920, age 24

1930 Census, Nelson Twp., Watonwan Co., MN, ED#12, p7A/74A, frame 13/14, taken 22 Apr. 1930, age 35

Walter Clarence Lange and Minnie B. Lorenz had the following children:

- +162. i. FRANCES ELLA<sup>9</sup> LANGE (daughter of Walter Clarence Lange and Minnie B. Lorenz) was born on 01 January 1918 in St James, Watonwan, Minnesota, USA. She died on 11 December 2015 in Bloomington, Hennepin Co., MN. She married Percy Oren Ronnei (son of ? Ronnei and ? Berdell) on 20 December 1941 in St James, Watonwan, Minnesota, USA. He was born on 31 March 1918 in Odin, Watonwan, Minnesota, USA. He died on 28 August 1977 in St. Louis Park, Hennepin Co., MN.
- 163. ii. ALVIN C. LANG (son of Walter Clarence Lange and Minnie B. Lorenz) was born between 1920-1921. He died on Dead. He married LEORA ????. She died on Dead.

Notes for Alvin C. Lang:

Ref:

1930 Census, Nelson Twp., Watonwan Co., MN, ED#12, p7A/74A, frame 13/14, taken 22 Apr. 1930, age 9

- +164. iii. MARVIN WILLIAM LANG (son of Walter Clarence Lange and Minnie B. Lorenz) was born on 10 December 1922 in Saint James, Watonwan Co., MN. He died on 30 April 2016 in Spring Park, Hennepin, Minnesota, USA. He married DELORIS JOSEPHINE LUNZ. She was born on 04 February 1926. She died on 12 August 2013 in Spring Park, Hennepin, Minnesota, USA.
60. **WILLIAM CARL F.<sup>8</sup> LORENZ** (Hulda Wilhelmine<sup>7</sup> Krause, Johann 'John'<sup>6</sup> Krause Sr., Gggf<sup>5</sup> Krause, Frank Henry, Joseph J., John) was born on 26 December 1900 in St. James, Watonwan Co., MN<sup>18</sup>. He died in September 1978 in Velva, McHenry Co., ND<sup>18</sup>. He married Martha Marie Krueger (daughter of Adolph Krueger and Emilia 'Amelia' Henke) in 1924. She was born on 03 January 1906 in Max, McLean Co., ND<sup>18</sup>. She died on 23 February 2001 in Velva, McHenry Co., ND<sup>18</sup>.

Notes for William Carl F. Lorenz:

Ref:

1910 Census, Brilliance, Ward Co., ND, ED#176, p4A/47A, family#28, frame 5/10, taken 20 Apr 1910, age 9

1920 Census, Brillian Twp.(T152, R81), Ward Co., ND, ED#215, p12B/236B, frame 6/7, taken 12-15 Feb. 1920, age 18

1930 Census, Brillian Twp.(T152, R81), Ward Co., ND, ED#6, p3A/21A, frame 5/9, taken 12 Apr. 1930, age 29

Notes for Martha Marie Krueger:

Ref:

1910 Census, Iota Flat, Ward Co., ND, ED#176, p23B/66B, frame 9/10, taken 12 May 1910, age 4

1930 Census, Brillian Twp.(T152, R81), Ward Co., ND, ED#6, p3A/21A, frame 5/9, taken 12 Apr. 1930, age 24

William Carl F. Lorenz and Martha Marie Krueger had the following children:

---

---

### Generation 4 (cont.)

165. i. WALDO WILLIAM<sup>9</sup> LORENZ (son of William Carl F. Lorenz and Martha Marie Krueger) was born on 16 February 1925 in Velva, McHenry Co., ND<sup>18</sup>. He died on 19 July 2002 in Florence, Lane Co., OR<sup>18</sup>. He married Margarette Ruby Morgan on 21 December 1946 in Portland, Multnomah Co., OR. She was born on 11 October 1924 in Clackamas Co., OR. She died on 08 October 1999 in Lane Co., OR.
- Notes for Waldo William Lorenz:  
Ref:  
1930 Census, Brillian Twp.(T152, R81), Ward Co., ND, ED#6, p3A/21A, frame 5/9, taken 12 Apr. 1930, age 5
166. ii. LLOYD D. LORENZ (son of William Carl F. Lorenz and Martha Marie Krueger) was born on 22 January 1927 in Sawyer Twp., Ward Co., ND<sup>18</sup>. He died on 28 January 2003 in Minot, Ward Co., ND<sup>18</sup>.
- Notes for Lloyd D. Lorenz:  
Ref:  
1930 Census, Brillian Twp.(T152, R81), Ward Co., ND, ED#6, p3A/21A, frame 5/9, taken 12 Apr. 1930, age 3 2/12
167. iii. MERLE EDWARD LORENZ (son of William Carl F. Lorenz and Martha Marie Krueger) was born on 23 January 1929 in Sawyer Twp., Ward Co., ND. He died on 07 August 2004 in Minot, Ward Co., ND. He married ? ???.
- Notes for Merle Edward Lorenz:  
Ref:  
1930 Census, Brillian Twp.(T152, R81), Ward Co., ND, ED#6, p3A/21A, frame 5/9, taken 12 Apr. 1930, age 1 2/12
- +168. iv. MARVIN DALE LORENZ (son of William Carl F. Lorenz and Martha Marie Krueger) was born on 22 November 1930 in Sawyer, Ward Co., ND. He died on 15 May 1991 in ND. He married VIVIAN JOYCE SCHUHRKE (daughter of Dewey W. Schuhrke and Katherine Vokal). She was born on 25 October 1932 in Belfield, Stark, North Dakota, USA. She died on 15 February 1980 in Velva, McHenry Co., ND.
- +169. v. WILLIAM MARTIN LORENZ (son of William Carl F. Lorenz and Martha Marie Krueger) was born on 14 April 1935 in Sawyer, Ward Co., ND. He died on 13 July 1997 in Sawyer, Ward Co., ND. He married ? ???.
- +170. vi. LIVING LORENZ (daughter of William Carl F. Lorenz and Martha Marie Krueger). She married LIVING PETERSEN.
61. **GLADYS HELEN<sup>8</sup> LORENZ** (Hulda Wilhelmine<sup>7</sup> Krause, Johann 'John'<sup>6</sup> Krause Sr., Gggf<sup>5</sup> Krause, Frank Henry, Joseph J., John) was born on 21 January 1903 in St. James, Watonwan Co., MN. She died on 26 March 1992 in Sawyer, Ward Co., ND. She married Frank B. Fuller on 08 February 1923 in Minot, Ward Co., ND. He was born on 08 February 1898 in Wheaton, Traverse Co., MN<sup>18</sup>. He died on 10 September 1980 in Sawyer, Ward Co., ND<sup>18</sup>.
- Notes for Gladys Helen Lorenz:  
Ref:  
1910 Census, Brilliance, Ward Co., ND, ED#176, p4A/47A, family#28, frame 5/10, taken 20 Apr 1910, age 7, name: Gladys R.  
1920 Census, Brillian Twp.(T152, R81), Ward Co., ND, ED#215, p12B/236B, frame 6/7, taken 12-15 Feb. 1920, age 17
- Frank B. Fuller and Gladys Helen Lorenz had the following children:
171. i. LYLE<sup>9</sup> FULLER (son of Frank B. Fuller and Gladys Helen Lorenz). He died on Dead. He married REGINA ???.
-

---

#### Generation 4 (cont.)

- 172. ii. DARLENE FULLER (daughter of Frank B. Fuller and Gladys Helen Lorenz). She died on Dead. She married EUGENE HAUGHT.
  - 173. iii. DONNA MAE FULLER (daughter of Frank B. Fuller and Gladys Helen Lorenz) was born about 1925. She died on Dead. She married STEVE LOZENSKY.
  - 174. iv. BETTY JEAN FULLER (daughter of Frank B. Fuller and Gladys Helen Lorenz) was born about 1925. She died on Dead. She married NORRIS JENSEN.
62. **FRANK EDWARD ERNEST<sup>8</sup> LORENZ** (Hulda Wilhelmine<sup>7</sup> Krause, Johann 'John'<sup>6</sup> Krause Sr., Gggf<sup>5</sup> Krause, Frank Henry, Joseph J., John) was born on 06 January 1905 in St. James, Watonwan Co., MN<sup>18</sup>. He died on 05 May 1973 in Benedict, McLean Co., ND<sup>18</sup>. He married Gerda Viola Henke (daughter of Adolf Henke and Anna Teoffile Klinner) on 02 May 1930 in Sawyer, Ward Co., ND. She was born on 09 September 1911 in Newman Twp., Ward Co., ND<sup>18</sup>. She died on 27 May 1992 in Minot, Ward Co., ND<sup>18</sup>.

Notes for Frank Edward Ernest Lorenz:

Ref:

1910 Census, Brilliance, Ward Co., ND, ED#176, p4A/47A, family#28, frame 5/10, taken 20 Apr 1910, age 5

1920 Census, Brillian Twp.(T152, R81), Ward Co., ND, ED#215, p12B/236B, frame 6/7, taken 12-15 Feb. 1920, age 15

1930 Census, Brillian Twp.(T152, R81), Ward Co., ND, ED#6, p2B/20B, frame 4/9, taken 10 Apr. 1930, age 25

1940 Census, Andrews Twp., McLean Co., ND, ED#28-2, p2A/5A, family#26, frame 3/7, taken 16 Apr 1940, age 35

Notes for Gerda Viola Henke:

Ref:

1940 Census, Andrews Twp., McLean Co., ND, ED#28-2, p2A/5A, family#26, frame 3/7, taken 16 Apr 1940, age 28

Frank Edward Ernest Lorenz and Gerda Viola Henke had the following children:

- 175. i. BRUCE A.<sup>9</sup> LORENZ (son of Frank Edward Ernest Lorenz and Gerda Viola Henke) was born between 1931-1932 in ND. He died on Dead. He married JENNIE WESTMAN.

Notes for Bruce A. Lorenz:

Ref:

1940 Census, Andrews Twp., McLean Co., ND, ED#28-2, p2A/5A, family#26, frame 3/7, taken 16 Apr 1940, age 8

- +176. ii. LIVING LORENZ (daughter of Frank Edward Ernest Lorenz and Gerda Viola Henke). She married LIVING TOMLINSON (son of Roy James Tomlinson and Mary Spelevoy).

63. **EDWARD FRED CARL<sup>8</sup> LORENZ** (Hulda Wilhelmine<sup>7</sup> Krause, Johann 'John'<sup>6</sup> Krause Sr., Gggf<sup>5</sup> Krause, Frank Henry, Joseph J., John) was born on 29 May 1907 in St. James, Watonwan Co., MN. He died on 26 March 1970 in Minot, Ward Co., ND. He married **BETTE BULTER**. She was born on 22 December 1919 in Velva, McHenry Co., ND. She died on 25 May 1970 in Minot, Ward Co., ND.

Notes for Edward Fred Carl Lorenz:

Ref:

1910 Census, Brilliance, Ward Co., ND, ED#176, p4A/47A, family#28, frame 5/10, taken 20 Apr 1910, age 3, name: Edward C.

1920 Census, Brillian Twp.(T152, R81), Ward Co., ND, ED#215, p12B/236B, frame 6/7, taken 12-15 Feb. 1920, age 12

1930 Census, Brillian Twp.(T152, R81), Ward Co., ND, ED#6, p2B/20B, frame 4/9, taken 10 Apr. 1930, age 22

---

### Generation 4 (cont.)

Edward Fred Carl Lorenz and Bette Bulter had the following children:

- +177. i. LILA GAY<sup>9</sup> LORENZ (daughter of Edward Fred Carl Lorenz and Bette Bulter) was born between 1938-1939. She died on Dead. She married LIVING STRIEFEL.
  - 178. ii. LOIS LORENZ (daughter of Edward Fred Carl Lorenz and Bette Bulter).
  - 179. iii. EDWARD LORENZ (son of Edward Fred Carl Lorenz and Bette Bulter) was born in 1941. He died in 1946.
64. **HILDA H.<sup>8</sup> LORENZ** (Hulda Wilhelmine<sup>7</sup> Krause, Johann 'John'<sup>6</sup> Krause Sr., Gggf<sup>5</sup> Krause, Frank Henry, Joseph J., John) was born on 16 September 1909 in St. James, Watonwan Co., MN. She died in November 1961. She married Gustav A. Krueger (son of Adolph Krueger and Emilia 'Amelia' Henke) between 1926-1927. He was born on 17 August 1904 in ND<sup>18</sup>. He died in March 1980 in IL<sup>18</sup>.

Notes for Hilda H. Lorenz:

Ref:

1910 Census, Brilliance, Ward Co., ND, ED#176, p4A/47A, family#28, frame 5/10, taken 20 Apr 1910, age 7/12, name: Hildegard H.

1920 Census, Brillian Twp.(T152, R81), Ward Co., ND, ED#215, p12B/236B, frame 6/7, taken 12-15 Feb. 1920, age 10

1930 Census, #5618 La Salle St., Chicago City(Ward#17), Cook Co., IL, ED#655, p14B/112B, frame 29/40, taken ? 1930, age 20

Notes for Gustav A. Krueger:

Ref:

1910 Census, Iota Flat, Ward Co., ND, ED#176, p23B/66B, frame 9/10, taken 12 May 1910, age 5

1930 Census, #5618 La Salle St., Chicago City(Ward#17), Cook Co., IL, ED#655, p14B/112B, frame 29/40, taken ? 1930, age 26

Gustav A. Krueger and Hilda H. Lorenz had the following children:

- 180. i. LIVING KRUEGER (daughter of Gustav A. Krueger and Hilda H. Lorenz).
  - 181. ii. LIVING KRUEGER (daughter of Gustav A. Krueger and Hilda H. Lorenz).
65. **WALTER HENRY<sup>8</sup> LORENZ** (Hulda Wilhelmine<sup>7</sup> Krause, Johann 'John'<sup>6</sup> Krause Sr., Gggf<sup>5</sup> Krause, Frank Henry, Joseph J., John) was born on 08 March 1912 in Sawyer, Ward Co., ND. He died on 17 January 1997 in Madelia, Watonwan Co., MN. He married Marguerite Bloomquist on 01 July 1945 in St. James, Watonwan Co., MN. She was born date Unknown in ?. She died on Dead.

Notes for Walter Henry Lorenz:

Ref:

1920 Census, Brillian Twp.(T152, R81), Ward Co., ND, ED#215, p12B/236B, frame 6/7, taken 12-15 Feb. 1920, age 7

1930 Census, Brillian Twp.(T152, R81), Ward Co., ND, ED#6, p2B/20B, frame 4/9, taken 10 Apr. 1930, age 18

Walter Henry Lorenz and Marguerite Bloomquist had the following child:

- +182. i. JAMES<sup>9</sup> LORENZ (son of Walter Henry Lorenz and Marguerite Bloomquist). He married ? ???.
66. **EVA MARTHA<sup>8</sup> LORENZ** (Hulda Wilhelmine<sup>7</sup> Krause, Johann 'John'<sup>6</sup> Krause Sr., Gggf<sup>5</sup> Krause, Frank Henry, Joseph J., John) was born on 19 November 1914 in Sawyer, Ward Co., ND<sup>18</sup>. She died on 05 April 2006 in Tillamook, Tillamook Co., OR<sup>18</sup>. She married Carl Lester Rawe (son of George Rawe and Alice J. ???) on 27 June 1936 in Minot, Ward Co., ND. He was born on 18 July 1916 in Solan Springs, WI<sup>18</sup>. He died on 08 January 1989 in Portland, OR<sup>18</sup>.

Notes for Eva Martha Lorenz:

Ref:

1920 Census, Brillian Twp.(T152, R81), Ward Co., ND, ED#215, p12B/236B, frame 6/7, taken

---



---

### Generation 4 (cont.)

12-15 Feb. 1920, age 5  
1930 Census, Brillian Twp.(T152, R81), Ward Co., ND, ED#6, p2B/20B, frame 4/9, taken 10 Apr.  
1930, age 15

Notes for Carl Lester Rawe:

Ref:

1930 Census, Sawyer Twp., Ward Co., ND, ED#63, p1A/41A, frame 1/4, taken 9 Apr. 1930, age 13

Carl Lester Rawe and Eva Martha Lorenz had the following children:

- +183. i. LIVING RAWE (daughter of Carl Lester Rawe and Eva Martha Lorenz). She married LIVING FOX (son of Gaylord Wayne Fox and Ruth Stone).
  - +184. ii. CARL LEROY RAWE (son of Carl Lester Rawe and Eva Martha Lorenz) was born on 17 April 1942 in Tillamook, OR. He died on 27 June 2008 in Tillamook, OR. He married (1) BRENDA REAVIS. He married (2) PATTI A. PETERSON on 13 August 2003 in Honolulu.
69. **ERVIN R.<sup>8</sup> LORENZ** (Hulda Wilhelmine<sup>7</sup> Krause, Johann 'John'<sup>6</sup> Krause Sr., Gggf<sup>5</sup> Krause, Frank Henry, Joseph J., John) was born on 04 June 1919 in ND. He died on Dead. He married **HENRIETTA ???**. She died on Dead.

Notes for Ervin R. Lorenz:

Ref:

1930 Census, Brillian Twp.(T152, R81), Ward Co., ND, ED#6, p2B/20B, frame 4/9, taken 10 Apr.  
1930, age 7

Ervin R. Lorenz and Henrietta ??? had the following children:

- 185. i. LIVING LORENZ (son of Ervin R. Lorenz and Henrietta ???).
  - 186. ii. EDWARD LORENZ (son of Ervin R. Lorenz and Henrietta ???).
70. **ELSIE FLORENCE<sup>8</sup> NATZEL** (Theodore Albert<sup>7</sup>, Wilhelmina 'Minnie'<sup>6</sup> Krause, Gggf<sup>5</sup> Krause, Theodore Albert<sup>7</sup>, Charles 'Karl', ?) was born on 04 January 1899 in Chicago, Cook Co., IL. She died on Dead. She married Harry H. Slawson (son of William Slawson) on 05 November 1915 in Chicago, Cook Co., IL. He was born on 09 January 1894 in Chicago, Cook Co., IL. He died on 22 June 1945 in Chicago, Cook Co., IL.

Notes for Elsie Florence Natzel:

Ref:

1910 Census, Chicago(Ward#22), Cook Co., IL, ED#947, p14A-B/142A-B, family#295, frame 27-28/42, taken 29 Apr 1910, age 11, name: Alsie(looks like it should be Elsie)  
1920 Census, Chicago(Ward#28), Cook Co., IL, ED#1740, p7B/154B, family# 168, frame 14/20, taken 10 Jan 1920, age 21, name: Emma  
1930 Census, Chicago(Ward# 38), Cook Co., IL, ED#2747, p2A/135A, family#34, frame 3/29, taken 2 Apr 1930, age 31, first marr age 18, name: Elsie E.  
1940 Census, Chicago(Ward#34), Cook Co., IL, ED#103-2159, p7A/31094A, family#142, frame 13/35, taken 11 Apr 1940, age 41, name: Emma

Notes for Harry H. Slawson:

Ref:

1920 Census, Chicago(Ward#28), Cook Co., IL, ED#1740, p7B/154B, family# 168, frame 14/20, taken 10 Jan 1920, age 26  
1930 Census, Chicago(Ward# 38), Cook Co., IL, ED#2747, p2A/135A, family#34, frame 3/29, taken 2 Apr 1930, age 36, first marr age 22  
1940 Census, Chicago(Ward#34), Cook Co., IL, ED#103-1694, p5A/24208A, family#248, frame 9/46, taken 20 Apr 1940, age 46 (all persons on page are individuals shown as head, single??).  
Supp question father b WI, mother b NY

Harry H. Slawson and Elsie Florence Natzel had the following children:

- 187. i. **HARRIET<sup>9</sup> SLAWSON** (daughter of Harry H. Slawson and Elsie Florence Natzel) was

---

### Generation 4 (cont.)

born on 28 June 1918 in Chicago, Cook Co., IL<sup>18</sup>. She died on 13 March 1994<sup>18</sup>.

Notes for Harriet Slawson:

Ref:

1920 Census, Chicago(Ward#28), Cook Co., IL, ED#1740, p7B/154B, family# 168, frame 14/20, taken 10 Jan 1920, age 1

1930 Census, Chicago(Ward# 38), Cook Co., IL, ED#2747, p2A/135A, family#34, frame 3/29, taken 2 Apr 1930, age 12

188. ii. MABLE SLAWSON (daughter of Harry H. Slawson and Elsie Florence Natzel) was born in 1920. She died in 1920.
- +189. iii. JEAN LILLIAN SLAWSON (daughter of Harry H. Slawson and Elsie Florence Natzel) was born on 14 June 1922 in Chicago, Cook Co., IL. She died on 15 May 1977 in Chicago, Cook Co., IL. She married EDWARD JOSEPH LEBEDA. He was born on 08 October 1915 in Chicago, Cook Co., IL<sup>12</sup>. He died on 26 December 1985.
- +190. iv. RUSSELL LEROY SLAWSON (son of Harry H. Slawson and Elsie Florence Natzel) was born on 08 January 1924 in Chicago, Cook Co., IL. He died on 15 April 1999 in Chicago, Cook Co., IL. He married Gladys Juanita Hall on 03 September 1944 in Tyronza, Poinsett, Arkansas, USA<sup>41</sup>. She was born on 01 September 1926 in Chicago, Cook Co., IL<sup>41</sup>. She died on 12 December 1955 in Chicago, Cook Co., IL.
191. v. FREDERIC T. SLAWSON (son of Harry H. Slawson and Elsie Florence Natzel) was born on 24 November 1925 in Chicago, Cook Co., IL<sup>32</sup>. He died on 13 April 2013. He married ETHEL M. ????. She was born on 04 August 1927<sup>32</sup>. She died on 15 December 2005.

Notes for Frederic T. Slawson:

Ref:

1930 Census, Chicago(Ward# 38), Cook Co., IL, ED#2747, p2A/135A, family#34, frame 3/29, taken 2 Apr 1930, age 5, name: Frederic

1940 Census, Chicago(Ward#34), Cook Co., IL, ED#103-2159, p7A/31094A, family#142, frame 13/35, taken 11 Apr 1940, age 14, name: Fred

- +192. vi. VIOLA VIVIAN SLAWSON (daughter of Harry H. Slawson and Elsie Florence Natzel) was born on 19 March 1929 in Chicago, Cook Co., IL. She died on 24 March 2001 in Round Lake, Lake, Illinois, USA. She married EDWARD RICHLINSKI.
72. **CLARA STELLA<sup>8</sup> NATZEL** (Theodore Albert<sup>7</sup>, Wilhelmina 'Minnie'<sup>6</sup> Krause, Gggf<sup>5</sup> Krause, Theodore Albert<sup>7</sup>, Charles 'Karl', ?) was born on 21 February 1904 in Chicago, Cook Co., IL<sup>30</sup>. She died on 16 March 1996 in Wheathead, Jasper Co., IN<sup>30</sup>. She married (1) **LEROY PETER TYRE** (son of Paris Sylvester Tyre and Nancy Janie 'Jennie' Artrip) before 1924. He was born on 10 February 1904 in IN. He died on 16 January 1963 in Porter Co., IN. She married (2) ? **TYLER** after 1963.

Notes for Clara Stella Natzel:

Ref:

1910 Census, Chicago(Ward#22), Cook Co., IL, ED#947, p14A-B/142A-B, family#295, frame 27-28/42, taken 29 Apr 1910, age 6

1930 Census, Chicago(Ward#34), Cook Co., IL, ED#1158, p19A/106A, family#404, frame 34/39, taken 14 Apr 1930, age 26, first marr age 21

Notes for Leroy Peter Tyre:

Ref:

1930 Census, Chicago(Ward#34), Cook Co., IL, ED#1158, p19A/106A, family#404, frame 34/39, taken 14 Apr 1930, age 26, first marr age 21

1940 Census, Chicago(Ward#34), Cook Co., IL, ED#103-2158, p12B/31078, family#331, frame 24/42, taken 16 Apr 1940, age 36

Leroy Peter Tyre and Clara Stella Natzel had the following children:

193. i. LIVING TYRE (son of Leroy Peter Tyre and Clara Stella Natzel).
- +194. ii. THEODORE ROBERT TYRE (son of Leroy Peter Tyre and Clara Stella Natzel) was born

---

---

### Generation 4 (cont.)

on 15 March 1927 in Chicago, Cook Co., IL<sup>18, 34</sup>. He died on 01 August 1994 in Hobart, Lake Co., IN<sup>18</sup>. He married (1) MONA LEE KERNS (daughter of Clifford Dean Kerns and Marietta Ruth Wicks) date Unknown in ?. She was born on 28 November 1931 in Kouts, Porter Co., IN<sup>34</sup>. He married (2) ? ???.

195.    iii.   LIVING TYRE (daughter of Leroy Peter Tyre and Clara Stella Natzel). She married LIVING WOOLBRANDT.
74.    **OTELIA 'TILLIE' A.<sup>8</sup> NATZEL** (Theodore Albert<sup>7</sup>, Wilhelmina 'Minnie'<sup>6</sup> Krause, Gggf<sup>5</sup> Krause, Theodore Albert<sup>7</sup>, Charles 'Karl', ?) was born on 30 August 1908 in Chicago, Cook Co., IL. She died on 08 July 1990 in Palatine, Cook Co., IL. She married Oscar Rowlett on 01 September 1923 in Chicago, Cook Co., IL. He was born about 1903 in TN. He died on 16 March 1928 in Chicago, Cook Co., IL. Oscar Rowlett and Otelia 'Tillie' A. Natzel had the following child:
196.    i.    **HAROLD ALBERT<sup>9</sup> ROWLETT** (son of Oscar Rowlett and Otelia 'Tillie' A. Natzel) was born on 20 December 1927 in Chicago, Cook Co., IL. He died in April 1979 in Knox, Stark Co., IN.
75.    **ALBERT THEODORE<sup>8</sup> NATZEL** (Theodore Albert<sup>7</sup>, Wilhelmina 'Minnie'<sup>6</sup> Krause, Gggf<sup>5</sup> Krause, Theodore Albert<sup>7</sup>, Charles 'Karl', ?) was born on 12 September 1914 in Chicago, Cook Co., IL<sup>1</sup>. He died on 20 March 1984 in Melrose Park, Cook Co., IL<sup>1</sup>. He married Helen Beatrice Pytko on 06 March 1934 in Cook Co., IL. She was born on 15 February 1916 in IL<sup>1</sup>. She died on 27 November 1984 in Melrose Park, Cook Co., IL<sup>1</sup>.  
Albert Theodore Natzel and Helen Beatrice Pytko had the following child:
- +197.   i.    **LIVING NATZEL** (daughter of Albert Theodore Natzel and Helen Beatrice Pytko). She married LIVING SMOCZYNSKI.
78.    **GERTRUDE<sup>8</sup> SEIDELMANN** (Louise Elizabeth<sup>7</sup> Natzel, Wilhelmina 'Minnie'<sup>6</sup> Krause, Gggf<sup>5</sup> Krause, August, John) was born between 1911-1912 in IL. She died in September 1953 in Chicago, Cook Co., IL. She married **HAROLD ELMO MOFFETT**. He was born on 16 April 1909 in Erie, Whiteside Co., IL<sup>25</sup>. He died on 17 September 1987 in San Pedron, Los Angeles Co., CA<sup>25</sup>.

Notes for Gertrude Seidelmann:

Ref:

1930 Census, Elmwood Park Village, Leyden Twp., Cook Co., IL, ED#16-2909, p 8A/107A, family#197, frame 15/39, taken 7 Apr 1930, age 19, first marr age 18

1940 Census, Chicago(Ward#21), Cook Co., IL, ED#103-1390, p11A/??, family#230, frame 21/28, taken 10 Apr 1940, age 28, married

Notes for Harold Elmo Moffett:

Ref:

1930 Census, Elmwood Park Village, Leyden Twp., Cook Co., IL, ED#16-2909, p 8A/107A, family#197, frame 15/39, taken 7 Apr 1930, age 21, first marr age 20, son-in-law, in home of August Seidelmann

Harold E. Moffett in the U.S., Social Security Death Index, 1935-2014

Name: Harold E. Moffett

SSN: 337-09-7759

Last Residence:

90732 San Pedro, Los Angeles, California, USA

BORN: 16 Apr 1909

Died: 17 Sep 1987

State (Year) SSN issued: Illinois (Before 1951)

Harold Elmo Moffett and Gertrude Seidelmann had the following children:

198.    i.    **HAROLD A.<sup>9</sup> MOFFETT SR.** (son of Harold Elmo Moffett and Gertrude Seidelmann) was born on 26 April 1929 in Cook Co., IL<sup>18, 28, 34</sup>. He died on 03 February 2009 in Toledo, OH<sup>18</sup>. He married LIVING ???.

Notes for Harold A. Moffett Sr.:

---

---

### Generation 4 (cont.)

Ref:

1930 Census, Elmwood Park Village, Leyden Twp., Cook Co., IL, ED#16-2909, p 8A/107A, family#197, frame 15/39, taken 7 Apr 1930, age 11/12, grand-son, in home of August Seidelmann

1940 Census, Chicago(Ward#21), Cook Co., IL, ED#103-1390, p11A/??, family#230, frame 21/28, taken 10 Apr 1940, age 11, grand-son, in home of August Seidelman

Harold A. Moffett in the U.S., Social Security Death Index, 1935-2014

Name: Harold A. Moffett

Last Residence:

43537 Maumee, Lucas, Ohio

BORN: 26 Apr 1929

Died: 3 Feb 2009

State (Year) SSN issued: Illinois (Before 1951)

199. ii. LIVING MOFFETT (daughter of Harold Elmo Moffett and Gertrude Seidelmann).
79. **AUGUST JOHN<sup>8</sup> SEIDELMANN** (Louise Elizabeth<sup>7</sup> Natzel, Wilhelmina 'Minnie'<sup>6</sup> Krause, Gggf<sup>5</sup> Krause, August, John) was born on 29 November 1912 in Chicago, Cook Co., IL. He died on 01 October 1993 in Franklin Park, Cook Co., IL. He married **MARION ELIZABETH SYVERSON**. She was born on 27 February 1914 in Chicago, Cook Co., IL. She died on 12 March 2000 in Franklin Park, Cook Co., IL.

Notes for August John Seidelmann:

Ref:

1930 Census, Elmwood Park Village, Leyden Twp., Cook Co., IL, ED#16-2909, p 8A/107A, family#197, frame 15/39, taken 7 Apr 1930, age 17

August John Seidelmann and Marion Elizabeth Syverson had the following children:

- +200. i. **BARBARA MARIE<sup>9</sup> SEIDELMANN** (daughter of August John Seidelmann and Marion Elizabeth Syverson) was born on 17 November 1937 in Chicago, Cook Co., IL. She died on 16 March 1997 in Maywood, Cook Co., IL. She married Frank Dominick Varallo Jr. on 12 July 1958 in Cook Co., IL. He was born on 11 January 1930 in Chicago, Cook Co., IL. He died on 24 February 1971 in Westchester, Cook Co., IL.
- +201. ii. **JAMES H. SEIDELMANN** (son of August John Seidelmann and Marion Elizabeth Syverson). He married ANTOINETTE ???.
84. **LENORA CHRISTINA AUGUSTA EMMA<sup>8</sup> KNAAK** (Pauline J.<sup>7</sup> Schewe, Augusta M.<sup>6</sup> Krause, Gggf<sup>5</sup> Krause, Albert William) was born on 13 July 1921 in Elgin, Kane Co., IL. She died on 11 July 1984 in Elgin, Kane Co., IL. She married **GERALD EDWARD WARREN**. He was born on 16 October 1922 in Emmett Valley, Gem, Idaho, USA. He died on 07 November 2010 in Elgin, Kane Co., IL.

Notes for Lenora Christina Augusta Emma Knaak:

Ref:

1930 Census, Hanover Twp., Cook Co., IL, ED#2142, p 8B/195B, family#197, frame 16/25, taken 25 Apr 1930, age 7, name: Lenora

1940 Census, Elgin, Elgin Twp., Kane Co., IL, ED#45-67, p81B/1045B, Student Nurse at Sherman Hospital, frame 50/50, taken 18 Apr 1940, age 18

Gerald Edward Warren and Lenora Christina Augusta Emma Knaak had the following child:

202. i. LIVING WARREN (son of Gerald Edward Warren and Lenora Christina Augusta Emma Knaak).
85. **EVELYN DOROTHY<sup>8</sup> DREHOBEL** (Minnie<sup>7</sup> Schewe, Augusta M.<sup>6</sup> Krause, Gggf<sup>5</sup> Krause, Henry Joseph) was born on 26 December 1919<sup>28, 38</sup>. She died on 10 April 1998. She married (1) **CHARLES VARINY** (son of ? Variny and Marie ???) before 1962. He was born on 09 May 1902. He died in October 1967 in Chicago, Cook Co., IL. She married (2) **BERNARD G. KRAPPMANN** on 26 April 1977 in Washburn Co., WI. He was born between 1913-1914. He died on Dead.

---

## Generation 4 (cont.)

Notes for Evelyn Dorothy Drehobl:

Ref:

1940 Census, Chicago(Ward#45), Cook Co., IL, ED#103-2898, p8B/41475, family#202, frame 16/34, taken 8 Apr 1940, age 25

Notes for Charles Variny:

Ref:

1940 Census, Chicago(Ward#41), Cook Co., IL, p8B/37264B, family#185, frame 16/30, taken 10 Apr 1940, age 37, step-brother, in home of Gustav Love

From Chicago Tribune, 30 Oct 1967:

Variny

Charles Variny, beloved husband of Evelyn, nee Drehobl; loving father of Sandra Jean; brother of John; stepson of Marie Variny; stepbrother of Gustav Love. Services Tuesday, 1 p.m., at John V. May Funeral Home, 4553-61 Milwaukee avenue. Internment Ridgwood. Please omit flowers.

Charles Variny and Evelyn Dorothy Drehobl had the following child:

203. i. SANDRA JEAN<sup>9</sup> VARINY (daughter of Charles Variny and Evelyn Dorothy Drehobl).

Notes for Bernard G. Krappmann:

Ref:

1940 Census, Chicago(Ward#45), Cook Co., IL, ED#103-2898, p8B/41475, family#202, frame 16/34, taken 8 Apr 1940, age 26

88. **ESTHER L.<sup>8</sup> COUSINS** (Augusta M.<sup>7</sup> Krause, Herman Martin<sup>6</sup> Krause Sr., Gggf<sup>5</sup> Krause, Arthur Willard, Leonard) was born on 13 January 1904 in WI. She died on 13 February 1999 in New London, Outagamie Co., WI. She married **ALVIN REINHARD ELSE** (son of Herman A. Else and Lizzie M. ???). He was born on 02 January 1898 in WI<sup>1</sup>. He died on 28 September 1958 in WI<sup>1</sup>.

Notes for Esther L. Cousins:

Ref:

1910 Census, Liberty Twp., Outagamie Co., WI, ED#143, p11A/209A, family#231, frame 5/11, taken 4 May 1910, age 6

1920 Census, Liberty Twp., Outagamie Co., WI, ED#219, p1A/269A, family#1, frame 1/10, taken 2 Jan 1920, age 15

1930 Census, Liberty Twp., Outagamie Co., WI, ED#40, p4B/4B, family#57, frame 8/13, taken 10 Apr 1930, age 26, first marr age 18

1940 Census, Liberty Twp., Outagamie Co., WI, ED#44-47, p2B-3A/803B-804A, family#40, frame 4-5/12, taken 29-30 Apr 1940, age 36

Notes for Alvin Reinhard Else:

Ref:

1920 Census, Liberty Twp., Outagamie Co., WI, ED#219, p1A/269A, family#4, frame 1/10, taken 2 Jan 1920, age 21

1930 Census, Liberty Twp., Outagamie Co., WI, ED#40, p4B/4B, family#57, frame 8/13, taken 10 Apr 1930, age 32, first marr age 24

1940 Census, Liberty Twp., Outagamie Co., WI, ED#44-47, p2B-3A/803B-804A, family#40, frame 4-5/12, taken 29-30 Apr 1940, age 42

Alvin Reinhard Else and Esther L. Cousins had the following children:

- +204. i. LIVING ELSE (son of Alvin Reinhard Else and Esther L. Cousins). He married RUBY ARLENE KRAUSE. She was born on 23 January 1924. She died on 06 June 2008 in Appleton, Outagamie Co., WI.
205. ii. LIVING ELSE (daughter of Alvin Reinhard Else and Esther L. Cousins). She married (1) HOWARD DROGSVOLD. He was born on 08 April 1921. He died on 06 October 1991 in WI. She married (2) LIVING BECKERT.
206. iii. LIVING ELSE (son of Alvin Reinhard Else and Esther L. Cousins).

---

### Generation 4 (cont.)

89. **EDITH MABEL<sup>8</sup> DEXTER** (Caroline 'Lena'<sup>7</sup> Krause, Herman Martin<sup>6</sup> Krause Sr., Gggf<sup>5</sup> Krause, Lyman, Herman) was born on 17 September 1904 in Liberty Twp., Outagamie Co., WI. She died on 08 July 1983. She married George Rufus Beattie Sr. on 24 June 1924 in Kalamazoo, Monroe Co., MI<sup>33</sup>. He was born on 17 April 1895 in Inland, WI. He died on 01 January 1972<sup>1</sup>.

Notes for Edith Mabel Dexter:

Ref:

1920 Census, Liberty Twp., Outagamie Co., WI, ED#219, p1A/209A, frame 1/10, taken 2-5 Jan. 1920, age 15

George Rufus Beattie Sr. and Edith Mabel Dexter had the following children:

- +207. i. **MAVIS EDITH<sup>9</sup> BEATTIE** (daughter of George Rufus Beattie Sr. and Edith Mabel Dexter) was born on 14 October 1925 in New London, Waupaca Co., WI. She died on 25 August 1981 in Appleton, WI. She married Ralph Coe (son of ?-4 Coe) on 09 December 1944. He was born on 14 January 1920. He died on 23 January 2000.
  - +208. ii. **DORIS BEATTIE** (daughter of George Rufus Beattie Sr. and Edith Mabel Dexter) was born on 30 June 1927 in New London, Waupaca Co., WI. She died on 17 February 1996 in Appleton, WI. She married Lawrence Albert Lutz on 19 August 1944. He was born on 03 September 1923 in Liberty Twp., ? Co., WI. He died on 14 February 1981 in New London, Waupaca Co., WI.
  - +209. iii. **GEORGE BEATTIE JR.** (son of George Rufus Beattie Sr. and Edith Mabel Dexter) was born on 07 March 1929 in New London, Waupaca Co., WI. He died on 16 March 1997. He married Beatrice A. Lang on 28 May 1960 in Clarks Mills. She was born on 03 December 1932 in Valders area. She died on 28 May 1992 in Green Bay.
  - +210. iv. **JOHN WILLIAM BEATTIE SR.** (son of George Rufus Beattie Sr. and Edith Mabel Dexter) was born on 10 December 1930 in New London, Waupaca Co., WI. He died on 17 March 1991 in Appleton, WI. He married LIVING BURTON.
  - +211. v. **LIVING BEATTIE** (son of George Rufus Beattie Sr. and Edith Mabel Dexter). He married LIVING HOULE.
  - +212. vi. **SARAH BEATTIE** (daughter of George Rufus Beattie Sr. and Edith Mabel Dexter) was born on 05 January 1939 in New London, Outagamie Co., WI. She died on 15 September 2008 in Appleton, Calumet, Wisconsin, USA. She married LIVING ARNDT (son of Living Arndt and Living Schwalenberg).
  - +213. vii. **LIVING BEATTIE** (daughter of George Rufus Beattie Sr. and Edith Mabel Dexter). She married NORBERT KUCHENBECKER. He was born on 06 August 1941. He died on 09 January 1997.
  - +214. viii. **DAVID MICHAEL BEATTIE** (son of George Rufus Beattie Sr. and Edith Mabel Dexter) was born on 23 April 1944 in New London, Waupaca Co., WI. He died on 30 July 1998 in Appleton, WI. He married LIVING KRUEGER.
  - +215. ix. **LIVING BEATTIE** (son of George Rufus Beattie Sr. and Edith Mabel Dexter). He married LIVING ???.
90. **EVELYN<sup>8</sup> DEXTER** (Caroline 'Lena'<sup>7</sup> Krause, Herman Martin<sup>6</sup> Krause Sr., Gggf<sup>5</sup> Krause, Lyman, Herman) was born on 17 January 1906 in New London, Waupaca Co., WI. She died on 29 April 1984 in Ripon, Fond du Lac Co., WI. She married William Fredrich Wuske (son of Johann Wuske and Bertha Lange) on 19 April 1926 in Waukegan, IL. He was born on 27 September 1904 in New London, Waupaca Co., WI. He died on 25 October 1980 in Ripon, Fond du Lac Co., WI.

Notes for Evelyn Dexter:

Ref:

1920 Census, Liberty Twp., Outagamie Co., WI, ED#219, p1A/209A, frame 1/10, taken 2-5 Jan. 1920, age 14

William Fredrich Wuske and Evelyn Dexter had the following children:

- 216. i. **EDWARD WILLIAM<sup>9</sup> WUSKE** (son of William Fredrich Wuske and Evelyn Dexter) was born on 28 May 1926 in New London, Waupaca Co., WI. He died on 21 December

---

### Generation 4 (cont.)

- 1948 in Berlin, Green Lake Co., WI.
- +217. ii. LIVING WUSKE (daughter of William Fredrich Wuske and Evelyn Dexter). She married LIVING WASTRACK.
  - +218. iii. LIVING WUSKE (daughter of William Fredrich Wuske and Evelyn Dexter). She married LIVING BOESE (son of Frank Boese and Marguerite Nehls).
91. **MARTHA<sup>8</sup> DEXTER** (Caroline 'Lena'<sup>7</sup> Krause, Herman Martin<sup>6</sup> Krause Sr., Gggf<sup>5</sup> Krause, Lyman, Herman) was born on 31 July 1907 in Liberty Twp., ? Co., WI. She died on 23 September 1961 in New London, Waupaca Co., WI. She married Eddie E. Behling on 01 June 1935. He was born on 10 June 1903 in Larrabee, WI. He died on 25 January 1952 in Appleton, WI.
- Notes for Martha Dexter:  
Ref:  
1920 Census, Liberty Twp., Outagamie Co., WI, ED#219, p1A/209A, frame 1/10, taken 2-5 Jan. 1920, age 12  
1930 Census, New London, Waupaca Co., WI, ED#29, p4B-5A/150B-151A, frame 8-9/12, taken 7 Apr. 1930, age 22  
Eddie E. Behling and Martha Dexter had the following children:
- 219. i. LIVING BEHLING (son of Eddie E. Behling and Martha Dexter).
  - 220. ii. LIVING BEHLING (son of Eddie E. Behling and Martha Dexter).
92. **BESSIE A.<sup>8</sup> DEXTER** (Caroline 'Lena'<sup>7</sup> Krause, Herman Martin<sup>6</sup> Krause Sr., Gggf<sup>5</sup> Krause, Lyman, Herman) was born on 22 December 1908 in New London, Waupaca Co., WI. She died on 14 November 1986 in Appleton, WI. She married Marvin "Fritz Beattie" Beattie on 08 August 1926. He was born on 08 April 1906 in Eldron, WI. He died on 21 September 1975 in Appleton, WI.
- Notes for Bessie A. Dexter:  
Ref:  
1920 Census, Liberty Twp., Outagamie Co., WI, ED#219, p1A/209A, frame 1/10, taken 2-5 Jan. 1920, age 10  
Marvin Beattie and Bessie A. Dexter had the following children:
- +221. i. LIVING BEATTIE (daughter of Marvin Beattie and Bessie A. Dexter). She married GEORGE LUTZ. He was born on 01 May 1920. He died on 12 April 1982.
  - +222. ii. LIVING BEATTIE (daughter of Marvin Beattie and Bessie A. Dexter). She married LIVING ROBERTS.
  - +223. iii. MARVELLA BEATTIE (daughter of Marvin Beattie and Bessie A. Dexter) was born on 06 June 1931. She died on 20 November 1999. She married Donald Van Straten on 15 February 1950.
  - +224. iv. LIVING BEATTIE (son of Marvin Beattie and Bessie A. Dexter). He married LIVING ???.
  - 225. v. LIVING BEATTIE (daughter of Marvin Beattie and Bessie A. Dexter). She married LIVING BENTLEY.
99. **MARTHA META<sup>8</sup> WEBER** (Bertha Alberine<sup>7</sup> Krause, Herman Martin<sup>6</sup> Krause Sr., Gggf<sup>5</sup> Krause, Herman, Julius) was born on 29 July 1906 in Symco, Waupaca Co., WI<sup>1</sup>. She died on 20 January 1992 in Appleton, Outagamie Co., WI<sup>1</sup>. She married William McKinly Close (son of Jeremiah Close and Teresa Klemmer) on 06 September 1923. He was born on 07 December 1897 in Mukwa, Waupaca Co., WI<sup>1</sup>. He died on 08 October 1981 in Waupaca Co., WI<sup>1, 23</sup>.

Notes for Martha Meta Weber:

Ref:

1910 Census, Union Twp., Waupaca Co., WI, ED#92, p1A/31A, family#8, frame 1/24, taken 15 Apr 1910, age 4

1920 Census, Manawa, Waupaca Co., WI, ED#142, p1B/197B, family#17, frame 2/15, taken 9-10 Feb 1920, age 13

---

### Generation 4 (cont.)

Notes for William McKinly Close:

Ref:

1900 Census, Mukwa Twp., Waupaca Co., WI, ED#134, p2/203A-B, family#40, frame 3-4/20, taken 2 June 1900, age 3(Dec 1897[should be 1896]), name: Wm McKinly Close

Wisconsin Death Index, 1959-1997 about William M Close

Name: William M Close

Death Date: 8 Oct 1981

Location: Waupaca (May be abbreviated)

Certificate: 022832

William McKinly Close and Martha Meta Weber had the following children:

- 226. i. HAROLD K.<sup>9</sup> CLOSE (son of William McKinly Close and Martha Meta Weber) was born on 05 September 1919 in New London, Outagamie Co., WI. He died on 21 July 1999 in New London, Outagamie Co., WI. He married Dorothy Reis date Unknown in ?. She was born date Unknown in ?.
  - 227. ii. MELVIN HERMAN CLOSE (son of William McKinly Close and Martha Meta Weber) was born on 23 August 1925 in WI<sup>18, 34</sup>. He died on 27 March 1996 in Pembina, Marinette Co., MI<sup>18</sup>. He married Beverly J. ??? date Unknown in ?. She was born on 29 April 1932 in ?.
  - 228. iii. DARLA JEAN CLOSE (daughter of William McKinly Close and Martha Meta Weber) was born about 1932 in WI. She married Harold M. Plotkin date Unknown in ?. He was born on 17 May 1931<sup>18, 34</sup>. He died on 15 April 2008 in Milwaukee, Milwaukee Co., WI<sup>18</sup>.
  - +229. iv. LEONARD CLOSE (son of William McKinly Close and Martha Meta Weber) was born on 04 November 1933 in WI. He married Joyce Beyer date Unknown in ?. She was born on 09 November 1936 in WI.
  - +230. v. ANGELINA CLOSE (daughter of William McKinly Close and Martha Meta Weber) was born about 1935 in WI. She married Dennis D. Bedor date Unknown in ?. He was born on 12 August 1933 in Shiocton, WI. He died on 18 June 2013.
  - 231. vi. CAROLE A. MADISON CLOSE (daughter of William McKinly Close and Martha Meta Weber) was born on 15 February 1942 in WI<sup>34</sup>. She married Richard E. Funnell date Unknown in ?. He was born on 02 May 1935 in WI<sup>34</sup>.
  - +232. vii. HAROLD WILLIAM CLOSE SR. (son of William McKinly Close and Martha Meta Weber) was born in 1923 in New London, Outagamie Co., WI. He died on 17 January 1988 in Brown Co., WI. He married BETTY JANE MARTIN. She died on 09 September 2020.
100. **CLARA IDA<sup>8</sup> WEBER** (Bertha Alberine<sup>7</sup> Krause, Herman Martin<sup>6</sup> Krause Sr., Gggf<sup>5</sup> Krause, Herman, Julius) was born on 20 January 1908 in New London, Waupaca Co., WI. She died on 12 September 1992 in Appleton, Outagamie Co., WI. She married **HERBERT SCHMITZ** (son of John M. Schmitz and Ida Edith Grube). He was born on 02 August 1897 in Appleton, Outagamie Co., WI. He died on 07 September 1974 in Appleton, Outagamie Co., WI.

Notes for Clara Ida Weber:

Ref:

1910 Census, Union Twp., Waupaca Co., WI, ED#92, p1A/31A, family#8, frame 1/24, taken 15 Apr 1910, age 2

1920 Census, Manawa, Waupaca Co., WI, ED#142, p1B/197B, family#17, frame 2/15, taken 9-10 Feb 1920, age 11

Herbert Schmitz and Clara Ida Weber had the following children:

- 233. i. DONALD ALFRED<sup>9</sup> SCHMITZ (son of Herbert Schmitz and Clara Ida Weber). He married LORETTA LOUISE MOFFETT.
- 234. ii. MARILYN RUTH SCHMITZ (daughter of Herbert Schmitz and Clara Ida Weber). She married VICTOR LEONARD BERNDT.
- +235. iii. ROBERT EARL SCHMITZ (son of Herbert Schmitz and Clara Ida Weber). He married



---

### Generation 4 (cont.)

GLADYS MINNIE RIEDLE.

236. iv. LOIS JEAN SCHMITZ (daughter of Herbert Schmitz and Clara Ida Weber) was born on 24 February 1945. She died on 18 November 1947.
101. **HELEN CLARA<sup>8</sup> WEBER** (Bertha Alberine<sup>7</sup> Krause, Herman Martin<sup>6</sup> Krause Sr., Gggf<sup>5</sup> Krause, Herman, Julius) was born on 15 May 1909 in Gresham, Shawano Co., WI<sup>1</sup>. She died on 26 March 1951 in Madison, Dane Co., WI<sup>1</sup>. She married Raymond Carl Schmitz (son of John M. Schmitz and Ida Edith Grube) on 15 May 1928 in ?. He was born on 15 July 1905 in Appleton, Outagamie Co., WI<sup>1</sup>. He died on 26 August 1986 in Appleton, Outagamie Co., WI<sup>1</sup>.

Notes for Helen Clara Weber:

Ref:

1910 Census, Union Twp., Waupaca Co., WI, ED#92, p1A/31A, family#8, frame 1/24, taken 15 Apr 1910, age 11/12, name: Lena M.

1920 Census, Manawa, Waupaca Co., WI, ED#142, p1B/197B, family#17, frame 2/15, taken 9-10 Feb 1920, age 9

Raymond Carl Schmitz and Helen Clara Weber had the following children:

- +237. i. ADELINE E.<sup>9</sup> SCHMITZ (daughter of Raymond Carl Schmitz and Helen Clara Weber) was born on 11 October 1928 in Appleton, Outagamie Co., WI<sup>1</sup>. She died on 04 February 2011 in Appleton, Outagamie Co., WI<sup>1</sup>. She married Delmar A. Neiland (son of Walter Herman Neiland and Amanda Tews) in January 1951. He was born on 15 June 1926 in Appleton, Outagamie Co., WI<sup>1</sup>. He died on 04 August 2009 in Appleton, Outagamie Co., WI<sup>1</sup>.
238. ii. LIVING SCHMITZ (son of Raymond Carl Schmitz and Helen Clara Weber). He married LIVING KRUEGER.
- +239. iii. MURIEL GLADYS SCHMITZ (daughter of Raymond Carl Schmitz and Helen Clara Weber) was born on 10 March 1933 in Appleton, Outagamie Co., WI. She died on 08 June 2004 in Little Chute, Outagamie Co., WI. She married Theodore James Huiting Jr. (son of Theodore James Huiting Sr. and Sophia Hietpas) on 04 November 1953 in Appleton, Outagamie Co., WI. He was born on 06 January 1930 in Little Chute, Outagamie Co., WI. He died on 10 October 2004 in Oshkosh, WI.
- +240. iv. RICHARD E. SCHMITZ (son of Raymond Carl Schmitz and Helen Clara Weber) was born on 27 July 1935 in Appleton, Outagamie Co., WI. He died on 19 November 2004 in Appleton, Outagamie Co., WI. He married Marlene Ann Geise on 27 September 1958 in Gillett. She was born on 23 October 1938 in Appleton, Outagamie Co., WI<sup>1</sup>. She died on 23 January 2018 in Appleton, Outagamie Co., WI<sup>1</sup>.
- +241. v. LIVING SCHMITZ (son of Raymond Carl Schmitz and Helen Clara Weber). He married (1) LIVING GONE. He married (2) LIVING ROBERTS.
242. vi. JAMES SCHMITZ (son of Raymond Carl Schmitz and Helen Clara Weber) was born on 01 August 1943 in Appleton, Outagamie Co., WI. He died on 07 August 1943 in Appleton, Outagamie Co., WI.
102. **EDNA R.<sup>8</sup> WEBER** (Bertha Alberine<sup>7</sup> Krause, Herman Martin<sup>6</sup> Krause Sr., Gggf<sup>5</sup> Krause, Herman, Julius) was born on 19 August 1912 in Gresham, Shawano Co., WI. She died on 22 October 1966 in Neshkoro, Waupaca Co., WI<sup>31</sup>. She married (1) **RUDOLPH MEYERS** about 1940 in ME. He was born on 28 March 1902 in WI. He died in April 1968 in New London, Outagamie Co., WI. She married (2) **WALTER KAUTZ** before 1940 in ?. He was born on 09 September 1905 in ?. He died in December 1970 in Green Bay, Brown Co., WI.

Notes for Edna R. Weber:

Ref:

1920 Census, Manawa, Waupaca Co., WI, ED#142, p1B/197B, family#17, frame 2/15, taken 9-10 Feb 1920, age 7

1930 Census, New London(Ward#5), Waupaca Co., WI, ED#31, p4A-4B/169A-B, frame 7-8/19, taken 12 Apr 1930, age 18

---

### Generation 4 (cont.)

1940 Census, New London(Ward#5), Waupaca Co., WI, ED#68-31, p8A-B/346A-B, family#180, frame 15-16/22, taken 2 May 1940, age 28, name: Edna Kouts, House Keeper for Rudolph Meyers

Name: Edna Meyers (Weber)  
Birth Date: 19 Aug 1912  
Birth Place: Gresham, WI  
Death Date: 1966  
Publication Date: 22 Oct 1966  
Publication Place: Appleton, Outagamie, Wisconsin, USA  
Publication Title: Post-Crescent  
Spouse Name: Rudy Meyers  
Notes: Maiden Name: Weber

Notes for Rudolph Meyers:

Ref:

1940 Census, New London(Ward#5), Waupaca Co., WI, ED#68-31, p8A-B/346A-B, family#180, frame 15-16/22, taken 2 May 1940, age 37, Widower

Rudolph Meyers and Edna R. Weber had the following children:

- +243. i. LIVING MEYERS SR. (son of Rudolph Meyers and Edna R. Weber). He married (1) LIVING JORDAN. He married (2) LIVING MAGNUSON.
- 244. ii. ROGER MEYERS (son of Rudolph Meyers and Edna R. Weber).

Walter Kautz and Edna R. Weber had the following child:

- 245. i. LIVING KAUTZ (daughter of Walter Kautz and Edna R. Weber).

103. **CHRISTINA 'TINA' MATILDA<sup>8</sup> WEBER** (Bertha Alberine<sup>7</sup> Krause, Herman Martin<sup>6</sup> Krause Sr., Gggf<sup>5</sup> Krause, Herman, Julius) was born on 07 September 1914 in Manawa, Waupaca Co., WI<sup>18</sup>. She died on 30 January 1975 in IA<sup>18</sup>. She married (1) **WALTER WILLIAM HAUSCHULTZ** (son of Carl Hauschultz and Caroline Ruetz) before 1931 in ?. He was born on 10 November 1909 in Manawa, Waupaca Co., WI<sup>18</sup>. He died on 06 November 1957 in Dupont, Waupaca Co., WI<sup>18</sup>. She married (2) **VERNON PETER KOHLBECK** after 1957. He was born on 13 September 1923 in WI<sup>18</sup>. He died on 03 November 1998 in Clinton, Clinton Co., IA<sup>18</sup>.

Notes for Christina 'Tina' Matilda Weber:

Ref:

1920 Census, Manawa, Waupaca Co., WI, ED#142, p1B/197B, family#17, frame 2/15, taken 9-10 Feb 1920, age 5

1930 Census, New London(Ward#5), Waupaca Co., WI, ED#31, p4A-4B/169A-B, frame 7-8/19, taken 12 Apr 1930, age 16

1940 Census, New London, Waupaca Co., WI, ED#68-30, p1A/321A, family#1, frame 1/36, taken 5 Apr 1940, age 26

Notes for Walter William Hauschultz:

Ref:

1940 Census, New London, Waupaca Co., WI, ED#68-30, p1A/321A, family#1, frame 1/36, taken 5 Apr 1940, age 30

Walter William Hauschultz and Christina 'Tina' Matilda Weber had the following children:

- +246. i. JOYCE<sup>9</sup> HAUSCHULTZ (daughter of Walter William Hauschultz and Christina 'Tina' Matilda Weber) was born on 08 November 1931 in New London, Waupaca Co., WI. She died on 10 September 1993 in Milan, Rock Island Co., IL. She married Glen E. Reeck date Unknown in ?. He was born on 22 July 1928. He died on 15 December 1987 in Milan, Rock Island Co., IL.
- +247. ii. LUELLA JANE HAUSCHULTZ (daughter of Walter William Hauschultz and Christina 'Tina' Matilda Weber) was born on 08 July 1933 in New London, Waupaca Co., WI. She died on 12 March 2011 in Manitowoc, Manitowac Co., WI. She married THEODORE L. HILL. He was born on 30 September 1933. He died on 03 August 1998 in Manitowoc, Manitowac Co., WI.

---

#### Generation 4 (cont.)

248. iii. VILAS HAUSCHULTZ (son of Walter William Hauschultz and Christina 'Tina' Matilda Weber) was born on 10 August 1935 in New London, Waupaca Co., WI. He died in December 1946 in WI.
- Notes for Vilas Hauschultz:  
Ref:  
1940 Census, New London, Waupaca Co., WI, ED#68-30, p1A/321A, family#1, frame 1/36, taken 5 Apr 1940, age 4
- +249. iv. ELAINE C. HAUSCHULTZ (daughter of Walter William Hauschultz and Christina 'Tina' Matilda Weber) was born on 28 October 1937 in New London, Waupaca Co., WI. She married (1) RONALD G. SPAULDING date Unknown in ?. He was born on 15 September 1935 in ?.
- +250. v. BEVERLY HAUSCHULTZ (daughter of Walter William Hauschultz and Christina 'Tina' Matilda Weber) was born on 19 November 1939 in New London, Waupaca Co., WI. She married Robert Schwister Sr. date Unknown in ?. He was born date Unknown in ?.
- +251. vi. WAYNE HAUSCHULTZ SR. (son of Walter William Hauschultz and Christina 'Tina' Matilda Weber) was born on 03 April 1942 in Two Rivers, Manitowoc Co., WI. He died on 28 June 1999 in Two Rivers, Manitowoc Co., WI. He married Sharon Reedy date Unknown in ?. She was born date Unknown in ?.
- +252. vii. PATSY LEE HAUSCHULTZ (daughter of Walter William Hauschultz and Christina 'Tina' Matilda Weber) was born on 08 January 1945 in WI<sup>34</sup>. She married Gary M. Schaal date Unknown in ?. He was born on 15 September 1935 in ?<sup>34</sup>.
- +253. viii. LIVING HAUSCHULTZ (daughter of Walter William Hauschultz and Christina 'Tina' Matilda Weber). She married LIVING KUNSTMANN.
- +254. ix. LIVING HAUSCHULTZ (daughter of Walter William Hauschultz and Christina 'Tina' Matilda Weber). She married (1) WAYNE RAYMOND GREENWOOD SR.. He was born on 08 February 1945 in Two Rivers, Manitowoc, WI<sup>18, 20</sup>. He died on 21 February 2001 in Sturgeon Bay, Door Co., WI<sup>18, 20</sup>. She married (2) WILLIAM 'BUD' ARTHUR PICKARD. He was born on 01 May 1939 in Milwaukee, Milwaukee Co., WI. He died on 11 October 2011 in Two Rivers, Manitowoc, WI.
255. x. LESLIE ALLEN HAUSCHULTZ (son of Walter William Hauschultz and Christina 'Tina' Matilda Weber) was born on 29 January 1950 in WI. He died on 01 September 2007 in Two Rivers, Manitowoc Co., WI. He married Karen Francis St. John on 31 August 1987 in Manitowoc, Manitowoc Co., WI. She was born date Unknown in ?.
- +256. xi. DOUGLA PAUL HAUSCHULTZ SR. (son of Walter William Hauschultz and Christina 'Tina' Matilda Weber) was born on 23 May 1951 in Waupaca, Waupaca Co., WI<sup>18</sup>. He died on 01 June 2013 in Two Rivers, Manitowoc Co., WI<sup>18</sup>. He married (1) LIVING DURKEE (daughter of Howard Clayton Durkee Sr. and Dona Mae Runke). He married (2) LISA REIMER on 11 September 1998. She was born date Unknown in ?. He married (3) LIVING WEBER.
- +257. xii. GARY DON HAUSCHULTZ (son of Walter William Hauschultz and Christina 'Tina' Matilda Weber) was born on 02 November 1952 in WI. He died on 22 April 1987 in Two Rivers, Manitowoc Co., WI. He married (1) DAWN MAGSAMEN date Unknown in ?. She was born date Unknown in ?. He married (2) GAIL HENDRICKSON date Unknown in ?. She was born date Unknown in ?.
258. xiii. KAY ELLIS HAUSCHULTZ (son of Walter William Hauschultz and Christina 'Tina' Matilda Weber) was born on 12 December 1953 in WI. He died on 20 September 1978 in Brevard, FL.
- +259. xiv. DENNIS MICHAEL B. HAUSCHULTZ (son of Walter William Hauschultz and Christina 'Tina' Matilda Weber) was born on 07 June 1955 in WI. He died on 06 November 1998 in Manitowoc, Manitowoc Co., WI. He married Shirley Ann Fischer on 17 October 1997 in Sheboygan, Sheboygan Co., WI. She was born date Unknown in ?.
-

---

### Generation 4 (cont.)

+260. xv. LIVING HAUSCHULTZ (son of Walter William Hauschultz and Christina 'Tina' Matilda Weber). He married LIVING HENDRICKSON.

106. **VIOLET A.<sup>8</sup> WEBER** (Bertha Alberine<sup>7</sup> Krause, Herman Martin<sup>6</sup> Krause Sr., Gggf<sup>5</sup> Krause, Herman, Julius) was born on 18 March 1921 in Waupaca Co., WI<sup>3, 18</sup>. She died on 12 November 1988 in Oshkosh, Winnebago Co., WI<sup>18</sup>. She married (1) **FRANK THIELKE** on 06 February 1941. He was born on 10 April 1907<sup>18</sup>. He died in January 1977 in Oshkosh, Winnebago Co., WI<sup>18</sup>. She married (2) **EDWARD KUTLEB** before 1936. He was born about 1921 in ?. He died on Dead.

Notes for Violet A. Weber:

Ref:

1930 Census, New London(Ward#5), Waupaca Co., WI, ED#31, p4A-4B/169A-B, frame 7-8/19, taken 12 Apr 1930, age 9

As per notes received from Deb Krause, 9 Jan. 2008:

1.child Stanley Meyers was adopted by her sister Edna and a daughter Delores Weber b June 1938 was also raised by Edna

2.Delores married Mueller and had the following children Debbie, Elaine, Mike, Harold b 1956, David b 1959, Ira Jane b 1962

Delores married next Michael Jent and they had a daughter Cindy Jent b 1980

Delores is now married to Harrison J. Oestreich b 1944 married about 2003

Violet A. Weber had the following children:

261. i. STANLEY<sup>9</sup>WEBER (son of Violet A. Weber).  
+262. ii. LIVING WEBER (daughter of Violet A. Weber). She married (1) LIVING MUELLER. She married (2) LIVING JENT. She married (3) LIVING OESTREICH.

Frank Thielke and Violet A. Weber had the following children:

263. i. RONALD<sup>9</sup>THIELKE (son of Frank Thielke and Violet A. Weber) was born on 15 May 1942 in WI<sup>18</sup>. He died in July 1982 in Oshkosh, Winnebago Co., WI<sup>18</sup>.  
264. ii. LIVING THIELKE (son of Frank Thielke and Violet A. Weber).  
265. iii. LIVING THIELKE (son of Frank Thielke and Violet A. Weber).  
+266. iv. DARLENE C. THIELKE (daughter of Frank Thielke and Violet A. Weber) was born on 30 April 1947 in Outagamie Co., WI<sup>3, 18</sup>. She died on 30 June 1982 in WI<sup>18</sup>. She married Eugene W. Dervin on 16 August 1968 in Waupaca Co., WI<sup>3</sup>. He was born on 25 December 1944<sup>18</sup>. He died on 23 November 1971 in Oshkosh, Winnebago Co., WI<sup>18</sup>.  
267. v. DELORES THIELKE (daughter of Frank Thielke and Violet A. Weber). She married ? JENT.

109. **LEO ARTHUR<sup>8</sup> HOPPE** (Mathilda W.<sup>7</sup> Krause, Herman Martin<sup>6</sup> Krause Sr., Gggf<sup>5</sup> Krause, Albert Julius, Theodore H., ?, Br-01, Root-Hoppe) was born on 20 March 1905 in St. Lawrence, Waupaca Co., WI<sup>18</sup>. He died on 09 May 1990 in Waupaca, Waupaca Co., WI<sup>18</sup>. He married (1) **MABEL AMANDA HILDESTAD** (daughter of Carl Martin Hildestad and Anna Dortine Burnson) on 07 December 1927 in ?. She was born on 09 July 1906 in Bristol, Dane Co., WI. She died on 11 September 1986 in Sun Prairie, Dane Co., WI. He married (2) **LILLIAN WILHELMINE MARKHARDT** (daughter of Max Markhardt and Elizabeth Ebert) on 20 March 1947. She was born on 21 October 1907 in ?. She died on Dead.

Notes for Leo Arthur Hoppe:

Ref:

---

### Generation 4 (cont.)

1930 Census, Windsor Twp., Dane Co., WI, ED#87, p10A/247A, frame 19/29, taken 21 Apr. 1930, age 25

Notes for Mabel Amanda Hildestad:

Ref:

1930 Census, Windsor Twp., Dane Co., WI, ED#87, p10A/247A, frame 19/29, taken 21 Apr. 1930, age 23

Leo Arthur Hoppe and Mabel Amanda Hildestad had the following children:

268. i. RALPH HAROLD<sup>9</sup> HOPPE (son of Leo Arthur Hoppe and Mabel Amanda Hildestad) was born on 04 May 1928 in Windsor Twp., Dane Co., WI. He died on 20 December 2002 in Moorhead, MN.

Notes for Ralph Harold Hoppe:

Ref:

1930 Census, Windsor Twp., Dane Co., WI, ED#87, p10A/247A, frame 19/29, taken 21 Apr. 1930, age 1 10/12

- +269. ii. FERNE LEONA HOPPE (daughter of Leo Arthur Hoppe and Mabel Amanda Hildestad) was born on 13 February 1931 in Windsor Twp., Dane Co., WI. She died on 06 May 2018 in Yorba Linda, Orange Co., CA. She married Robert Doll (son of Edward Doll and Helen ???) on 25 March 1950 in ?. He was born on 27 December 1928 in ?. He died on 09 September 2003.
- +270. iii. LIVING HOPPE (daughter of Leo Arthur Hoppe and Mabel Amanda Hildestad). She married ROBERT FRANCIS LONGFIELD (son of Leroy Frank Longfield and Mintabelle Norris). He was born on 01 February 1933 in Madison, Dane Co., WI. He died on 09 November 2013.
- +271. iv. SHIRLEY ARLENE HOPPE (daughter of Leo Arthur Hoppe and Mabel Amanda Hildestad) was born on 24 May 1935 in Windsor Twp., Dane Co., WI. She died on 04 January 2018 in Sun Prairie, Dane Co., WI. She married Leon Jesberger (son of George Jesberger and Laura Klein) on 14 May 1955 in WI. He was born on 13 March 1932 in East Bristol, Dane Co., WI. He died on 25 July 2014 in Dane Co., WI.

Notes for Lillian Wilhelmine Markhardt:

no issue

110. **LOUIS ALFRED<sup>8</sup> HOPPE** (Mathilda W.<sup>7</sup> Krause, Herman Martin<sup>6</sup> Krause Sr., Gggf<sup>5</sup> Krause, Albert Julius, Theodore H., ?, Br-01, Root-Hoppe) was born on 28 December 1906 in Little Wolf, Waupaca Co., WI. He died on 01 April 1988 in Manawa, Waupaca Co., WI. He married Dora Mundt (daughter of Gustave Mundt and Pette ???) on 26 June 1929 in Manawa, WI.

Louis Alfred Hoppe and Dora Mundt had the following children:

272. i. VIRGINA<sup>9</sup> HOPPE (daughter of Louis Alfred Hoppe and Dora Mundt). She married RICHARD ALLEN.
- +273. ii. LIVING HOPPE (daughter of Louis Alfred Hoppe and Dora Mundt). She married DARRYL ROGER NIEMUTH (son of Alvin Arthur Niemuth and Gladys Louise Margaret Dieck). He was born on 27 March 1937 in New London, Waupaca Co., WI. He died on 14 June 2019 in Wautoma, Waushara Co., WI.
- +274. iii. WILLIAM LOUIS HOPPE (son of Louis Alfred Hoppe and Dora Mundt) was born on 06 July 1944. He died on 14 October 1972. He married Betty Klepps on 20 July 1963 in Manawa, WI.

111. **HARLEY EMANUEL<sup>8</sup> HOPPE** (Mathilda W.<sup>7</sup> Krause, Herman Martin<sup>6</sup> Krause Sr., Gggf<sup>5</sup> Krause, Albert Julius, Theodore H., ?, Br-01, Root-Hoppe) was born on 14 August 1908 in Little Wolf Twp., Waupaca Co., WI. He died on 10 July 1995 in Appleton, Outagamie Co., WI. He married (1) **EDNA LAVONNE BOUTWELL** on 01 January 1933. She was born on 17 November 1912. She died on 30 August 1975. He married (2) **FLORENCE JOHNSON** on 16 April 1977.

Harley Emanuel Hoppe and Edna LaVonne Boutwell had the following children:

---

### Generation 4 (cont.)

- +275. i. LIVING HOPPE (daughter of Harley Emanuel Hoppe and Edna LaVonne Boutwell). She married LIVING DULSKI (son of Edward Andrew Dulski and Jane Zalewski).
- 276. ii. LIVING HOPPE (son of Harley Emanuel Hoppe and Edna LaVonne Boutwell).

113. **ELDORA EMILIE<sup>8</sup> HOPPE** (Mathilda W.<sup>7</sup> Krause, Herman Martin<sup>6</sup> Krause Sr., Gggf<sup>5</sup> Krause, Albert Julius, Theodore H., ?, Br-01, Root-Hoppe) was born on 23 November 1918 in Little Wolf Twp., Waupaca Co., WI. She died on 01 May 2018 in Waupaca, Waupaca Co., WI. She married Aubrey John Edwards (son of Ward Edwards and Muriel Eaton) on 07 November 1936. He was born on 10 March 1914 in Park Falls, Price, Wisconsin, USA. He died on 26 April 2006.

Notes for Eldora Emilie Hoppe:

Obituary for Eldora E. Edwards

Eldora E. Edwards, age 99 of Waupaca passed away on Tuesday, May 1, 2018 at Bethany Home in Waupaca. Eldora was born on November 23, 1918 in the Town of Little Wolf, Waupaca Co., WI; daughter of Albert and Mathilda (Krause) Hoppe. She married Aubrey J. Edwards on November 7, 1936 in Waupaca and they shared 69 years of marriage before his passing on April 26, 2006. Eldora and Aubrey farmed on the banks of Walla Walla Creek in the Town of Lind and also in the Town of Waupaca for many years. They enjoyed polka dancing around the state and Eldora was an avid card player in her later years. She was a member of Immanuel Evangelical Lutheran Church in Waupaca. Eldora will be deeply missed by all of her loving family and friends. Eldora is survived by her sons: Gene (Gretchen) Edwards of Lodi, WI and David (Karen) Edwards of Menasha, WI; her grandchildren: Julia (John Gordon) Edwards of Lodi, WI, G. Scott Edwards of Appleton, WI, Jill (Lionel) Susini of Lexington, KY, Jeff (Debbie) Edwards of Mount Pleasant, WI, Todd Edwards of St. Croix Falls, WI, Kelly (Diana) Moore of Sun Prairie, WI and Sheri (Joel) Wiersma of Beaver Dam, WI and 14 great-grandchildren. Eldora is also survived by many nieces, nephews, other relatives and friends. She was preceded in death by her parents, Albert and Mathilda Hoppe; her husband, Aubrey Edwards; an infant sister, Helen Hoppe; and four brothers, Leo, Louis, Harley, and Edwin Hoppe. The Funeral Service will be on Friday, May 4 at 11 AM at Immanuel Evangelical Lutheran Church in Waupaca, WI with Reverend Ronald Siemers, officiating. A visitation will be held on Friday morning from 10 AM to 11 AM at the church. Burial will be at Little Creek Cemetery in the Town of Little Wolf. In lieu of flowers, a memorial has been established to Immanuel Evangelical Lutheran Church in the name of Eldora E. Edwards. The Holly Funeral Home of Waupaca is assisting the family with arrangements.

Notes for Aubrey John Edwards:

Obituary for Aubrey Edwards

Aubrey J. Edwards, age 92, of Waupaca, WI passed away Wednesday, April 26, 2006 while in the company of family members at Bethany Home. Mr. Edwards was born in Park Falls, WI on March 10, 1914, the son of the late Ward and Muriel (Eaton) Edwards. On Nov. 7, 1936, Aubrey married Eldora Hoppe in Waupaca. Aubrey worked for over 20 years at Wisconsin Veterans Home as a maintenance supervisor. He also farmed, loved gardening and his apple orchard, polka music and dancing, playing cards and woodworking. He is a member of Immanuel Ev. Lutheran Church in Waupaca. Aubrey is survived by his wife: Eldora Edwards of Waupaca; his sons: Gene (Gretchen) Edwards, of Lodi, WI and David (Karen) Edwards of Menasha, WI; five grandchildren: Dr. Julia (John Gorton) Edwards; Scott Edwards; Jeffery (Debra) Edwards; Jill (Lionel) Susini and Todd (Amy) Edwards; Two Step-Grandchildren: Kelly (Diana) Moore and Sheri (Joel) Wiersma; Nine Great Grandchildren: Alice, Justin, Andrew; Elisabeth, Anna, Zach; Halden, Azalea & Sidrah. Also surviving are two brothers: Carroll (Dorothy) Edwards of Palm Harbor, FL and William (Hildene) Edwards of Springfield, Ohio and a sister: Beverly (Owen) Kersten of Clintonville, WI. Aubrey is also survived by many nieces, nephews, other relatives and many friends. He was preceded in death by his parents, two brothers, Harlan & Harold and an infant sister. Christian Funeral Service will be at Immanuel Ev. Lutheran Church in Waupaca at 11:30 AM on Saturday, April 29 with Rev. Jeffrey Holtan, officiating. Interment will be in the Little Creek Cemetery, Manawa. Visitation will be on Sat. morning from 10 to 11:30 AM at the church. In lieu of flowers, a memorial fund has been established. Holly Funeral Home in Waupaca is assisting the family with arrangements.

Aubrey John Edwards and Eldora Emilie Hoppe had the following children:

---

---

### Generation 4 (cont.)

- +277. i. GENE AUBREY<sup>9</sup> EDWARDS (son of Aubrey John Edwards and Eldora Emilie Hoppe) was born on 29 September 1938 in Waupaca, Waupaca Co., WI. He died on 01 April 2021. He married (1) GRETCHEN MILLER MOORE in 1997. He married (2) BERLA B. STECK (daughter of Beryl Steck and Bessie Howard) in 1959. She was born on 22 July 1938. She died on 17 September 2017.
  - +278. ii. LIVING EDWARDS (son of Aubrey John Edwards and Eldora Emilie Hoppe). He married LIVING MOREY (daughter of Kenneth Howard Morey and Elmira Strebe).
115. **VERNA IRENE<sup>8</sup> KRAUSE** (Albert Edward<sup>7</sup>, Herman Martin<sup>6</sup> Sr., Gggf<sup>5</sup>, ?-A<sup>4</sup>, Branch-One-A<sup>3</sup>, Haplogroup-I2a-F3744-Positive<sup>2</sup>, Schlochau-Branches<sup>1</sup>) was born on 22 July 1913<sup>18</sup>. She died on 18 September 1996<sup>18</sup>. She married **LORENZ JAHSMAN**. He was born on 07 May 1912<sup>18</sup>. He died in May 1987<sup>18</sup>.

Notes for Verna Irene Krause:

Ref:

1930 Census, New London City(ward #1), Waupaca Co., WI, ED#28, p7A/142A, frame 13/23, taken Apr. 1930, age 16

Lorenz Jahsman and Verna Irene Krause had the following child:

- 279. i. INFANT<sup>9</sup> JAHSMAN (son of Lorenz Jahsman and Verna Irene Krause) was born on 07 June 1935. He died on 07 June 1935.
116. **ALBERT EUGENE<sup>8</sup> KRAUSE** (Albert Edward<sup>7</sup>, Herman Martin<sup>6</sup> Sr., Gggf<sup>5</sup>, ?-A<sup>4</sup>, Branch-One-A<sup>3</sup>, Haplogroup-I2a-F3744-Positive<sup>2</sup>, Schlochau-Branches<sup>1</sup>) was born on 24 June 1916 in Outagamie Co., WI<sup>18</sup>. He died on 19 February 2006 in New London, Waupaca Co., WI<sup>18</sup>. He married ? ???.

Notes for Albert Eugene Krause:

Ref:

1930 Census, New London City(ward #1), Waupaca Co., WI, ED#28, p7A/142A, frame 13/23, taken Apr. 1930, age 13

1940 Census, New London(Ward#1), Waupaca Co., WI, ED#68-28, p8B/303B, family#174, frame 17/32, taken 27 Apr 1940, age 24

Albert Eugene Krause and ? ??? had the following child:

- 280. i. CAROL<sup>9</sup> KRAUSE (daughter of Albert Eugene Krause and ? ???). She married RICKEY STOFLET.
120. **DOROTHY 'DORA' EMMA<sup>8</sup> PREUSS** (Amanda<sup>7</sup> Krause, Herman Martin<sup>6</sup> Krause Sr., Gggf<sup>5</sup> Krause, Emil Walter, Julius Edward, Matthias) was born on 29 July 1913 in Union Twp., Waupaca Co., WI. She died on 07 July 1985 in Fond du Lac, Fond du Lac Co., WI. She married William Lee in January 1934. He was born on 04 May 1903 in WI<sup>18</sup>. He died in July 1984 in Fond du Lac, Fond du Lac Co., WI<sup>18</sup>.

Notes for Dorothy 'Dora' Emma Preuss:

Ref:

1920 Census, Union Twp., Waupaca Co., WI, ED#151, p6B/34B, family#110, frame 12/23, taken 22-24 Jan 1920, age 6

1930 Census, Helvetia Twp., Waupaca Co., WI, ED#16, p2A/39A, frame 3/11, taken 9 Apr. 1930, age 16, name: Dora E.

William Lee and Dorothy 'Dora' Emma Preuss had the following child:

- +281. i. BEVERLY<sup>9</sup> LEE (daughter of William Lee and Dorothy 'Dora' Emma Preuss) was born date Unknown in ?. She married ? ???.
121. **FRED HENRY<sup>8</sup> PREUSS** (Amanda<sup>7</sup> Krause, Herman Martin<sup>6</sup> Krause Sr., Gggf<sup>5</sup> Krause, Emil Walter, Julius Edward, Matthias) was born on 07 March 1916 in Union Twp., Waupaca Co., WI. He died on 11 November 1980 in Little Wolf, Manawa Twp., WI. He married Elizabeth Ada Rassmussen (daughter of Palmer Rassmussen and Ada Parmeter) on 28 September 1938. She was born on 21

---

### Generation 4 (cont.)

June 1918 in Iola, Waupaca Co., WI. She died on 24 February 1994 in Waupaca Co., WI.

Notes for Fred Henry Preuss:

Ref:

1920 Census, Union Twp., Waupaca Co., WI, ED#151, p6B/34B, family#110, frame 12/23, taken 22-24 Jan 1920, age 3 (9/12) looks like 3 3/4

1930 Census, Helvetia Twp., Waupaca Co., WI, ED#16, p2A/39A, frame 3/11, taken 9 Apr. 1930, age 14

Fred Henry Preuss and Elizabeth Ada Rassmussen had the following children:

- +282. i. LIVING PREUSS (son of Fred Henry Preuss and Elizabeth Ada Rassmussen). He married LIVING SCHWARZ (daughter of Robert C. Schwarz and Carmela Vechi).
- +283. ii. LIVING PREUSS (son of Fred Henry Preuss and Elizabeth Ada Rassmussen). He married LIVING ERICKSON (daughter of Willie Erickson and Luella ???).
- +284. iii. LIVING PREUSS (daughter of Fred Henry Preuss and Elizabeth Ada Rassmussen). She married LIVING JANKE (son of Walter Janke and Dorothy Schmidt).

125. **ALVIN LOUIS<sup>8</sup> BUSS** (Ida M.<sup>7</sup> Krause, Herman Martin<sup>6</sup> Krause Sr., Gggf<sup>5</sup> Krause, George F.) was born on 24 May 1919 in Little Wolf Twp., Waupaca Co., WI. He died on 05 December 1994 in Manawa, Waupaca Co., WI. He married (1) **BERNICE M. KLUG** (daughter of Herman Klug) on 12 October 1940. He married (2) **LORRAINE ALVIRA GARROW** in 1946. She was born on 24 January 1918 in Menasha, Winnebago Co., WI. She died on 02 September 2002. He married (3) **JOYCE OLSON** in 1955.

Notes for Alvin Louis Buss:

Ref:

1920 Census, Little Wolf Twp., Waupaca Co., WI, ED#141, p6A/191A, family#105, frame 11/21, taken 20-21 Jan 1920, age 7/12

Alvln "Butch" Buss

Route 1, Manawa

Age 75, died Monday, Dec 5, 1994 at New London Family Medical Center. He was born May 24, 1919 in Manawa, son of the late George and Ida (Krause) Buss. He married Lorraine Garrow in 1946. In 1955 he married Joyce Olson. Butch lived in the Manawa area his entire life. He operated the Ice House in Manawa and later was employed at Four Wheel Drive in Clintonville. He was a veteran of World War II and member of Disabled American Veterans. He is survived by seven children: Jacqueline Buss, Bear Creek; Cheryl McCaw, Golf Shores, Alabama; Dwayne (Lisa) Buss, Menasha; Delbert (Ann) Buss, Green Bay; Kathy Bernarde, Birnamwood; Marlene Buss, Belle-vue; Darwin (Mary) Buss, Clintonville; 11 grandchildren and five great grandchildren. He is preceded in death by his parents and a brother, Albert. Funeral will be 11 a.m., Thursday, December 8, 1994 at the Cline-Hanson-Dahlke Funeral Home, Manawa with the Rev. Evan Dieck officiating. Burial will be in the Little Wolf Cemetery in the Spring. Friends may call at the funeral home from 4 until 8 pm. Wednesday, and Thursday from 9 a.m. until the time of service.

Marriage Notes: (Bernice M.)

Bucholtz-Buss

Mrs. Bernice M. Bucholtz, daughter of Mr. and Mrs. Herman Klug. Weyauwega, was married to Alvin L. Buss, son of Mr. and Mrs. George Buss, Manawa, at 2:30 this afternoon. The wedding service was read by the Rev. August Draeger in the Lutheran parsonage at Baldwins Mills. Mr. and Mrs. Hans Hoewisch, Fremont, the latter a sister of the bride, were the attending couple. A dinner and reception will be held at the home of the bride's parents. A shower and dance will be given in their honor at the Bean City pavilion this evening. The couple will reside in Weyauwega.

From "The Post-Crescent, Appleton, WI, 12 Oct 1940, p10"

Alvin Louis Buss and Bernice M. Klug had the following child:

- 285. i. **RONALD EUGENE<sup>9</sup> BUSS** (son of Alvin Louis Buss and Bernice M. Klug). He married **KATHLEEN KAY AUGHE**.



---

## Generation 4 (cont.)

Notes for Ronald Eugene Buss:

Kathleen Aughe- Ronald E. Buss rites Solemnized

A bride of Feb. 27 was Miss Kathleen Kay Aughe, daughter of Mr. and Mrs. Charles - J. Aughe. Lincoln, who was wed to Ronald Eugene Buss, son of Mr. and Mrs. Alvin Buss, at First Trinity Lutheran Church. Pastor Wayne Meier of Plymouth performed the rites at 7 p.m. before an altar banked with two seven-branch candelabra, holding green tapers, and an arrangement of yellow and white carnations. "O Perfect Love" was sung by Miss Alicia Andrews, accompanied at the organ by Miss Carol Wollenburg, . Given in marriage by her father, the bride wore a gown of white satin. Lace appliques and pearls accented the skirt hem, the rounded neckline and bodice. The long sleeves tapered to bridal points. The skirt extended into a chapel train. She carried a white Duchess rose, surrounded by yellow roses, on a white Bible. Her jewelry was a small diamond necklace, a gift of the groom. Miss Gloria Walker was maid of honor; bridesmatron was Mrs. Gerald Meritt, Lincoln, sister of the bride; and bridesmaid was. Miss' Carol Buss, Lincoln, sister of the groom. Emerald green velvet fashioned their floor length gowns, styled with long tapered sleeves, empire waists and rounded necklines. Each carried a single yellow Duchess rose centered in lemon leaves. Rhonda Lynn Zimmermann, cousin of the groom, was flower girl and ring bearer was Ronnie Eugene Meritt, Lincoln, nephew of the bride. Attending his cousin as best man was Larry Zimmerman, Jansen, and groomsmen were LeRoy Zimmerman and Garold Zimmerman, also cousin's of the groom. The guests were seated by Carl Wollenburg and James Johnson. The reception was held in the church school.

After a honeymoon in South Dakota, the newlyweds are at home at 1434 N. 9th St. The Former Miss Aughe attended Reynolds High School at Reynolds and Fairbury Jr. College and is now a secretary at State Federal Savings and Loan. Mr. Buss attended Beatrice High School and is employed at Schottler's Modern Fixtures, Inc.

Alvin Louis Buss and Lorraine Alvira Garrow had the following child:

- +286. i. JAQUELINE<sup>9</sup> BUSS (daughter of Alvin Louis Buss and Lorraine Alvira Garrow) was born on 19 September 1949. She died on 05 May 2019. She married WILBUR SCHROEDER (son of Vergil E. Schroeder and Dorothy Mae Brown). He was born on 12 August 1948. He died on 16 August 2013.
126. **ARTHUR THEODORE<sup>8</sup> KRAUSE** (Herman Martin<sup>7</sup> Jr., Herman Martin<sup>6</sup> Sr., Gggf<sup>5</sup>, ?-A<sup>4</sup>, Branch-One-A<sup>3</sup>, Haplogroup-I2a-F3744-Positive<sup>2</sup>, Schlochau-Branches<sup>1</sup>) was born on 20 September 1921 in Little Wolf Twp., Waupaca Co., WI<sup>28</sup>. He died on 23 February 1998 in New London, Waupaca Co., WI. He married (1) **ADELINE ALIZAJA PUBANZ**. She was born on 11 May 1924 in Union, Waupaca Co., WI. She died on 16 December 1993 in New London, Waupaca Co., WI. He married (2) **CLAUDINE ALICE WORTHINGTON** on 19 October 1947 in Watervliet, Barrien Co., MI<sup>29</sup>. She was born on 30 October 1922 in Kalamazoo, Kalamazoo Co., MI. She died on 23 February 1995 in Anecotes, WA. He married (3) **ROSELLA MAGDELI 'SALLY' KOEHLER** on 14 November 1987 in Manawa, Waupaca Co., WI. She was born on 16 September 1923 in Woodville, St. Croix Co., WI. She died on 30 April 2014 in Appleton, Outagamie Co., WI.

Notes for Arthur Theodore Krause:

Ref:

1930 Census, Little Wolf Twp., Waupaca Co., WI, ED#22, p10B/99B, frame 21/22, taken 25 Apr. 1930, age 8, in home of Carl Theodore Krause

Arthur Theodore Krause and Adeline Alizaja Pubanz had the following child:

287. i. LIVING KRAUSE (son of Arthur Theodore Krause and Adeline Alizaja Pubanz).

Relationship Notes for Arthur Theodore Krause and Claudine Alice Worthington:

Name: Arthur T Krause

Gender: Male

Race: White

Age: 26

---

### Generation 4 (cont.)

Birth Year: abt 1921  
Birth Place: Marawa, Wisconsin  
License County: Kalamazoo  
Marriage Date: 19 Oct 1947  
Marriage Place: Watervliet, Berrien, Michigan, USA  
Residence Place: Detroit, Michigan  
Father: Herman Martin Krause  
Mother: Genevieve Vile  
Spouse: Claudine Worthington  
County File Number: 40949  
State File Number: 39 16673

Name: Claudine Worthington  
Gender: Female  
Race: White  
Age: 24  
Birth Year: abt 1923  
Birth Place: Kalamazoo, Michigan  
License County: Kalamazoo  
Marriage Date: 19 Oct 1947  
Marriage Place: Watervliet, Berrien, Michigan, USA  
Residence Place: Kalamazoo, Michigan  
Father: Caroline Worthington  
Mother: Edna Irene ??Ra??E  
Spouse: Arthur T Krause  
County File Number: 40949  
State File Number: 39 16673

Arthur Theodore Krause and Claudine Alice Worthington had the following children:

288. i. VICTOR<sup>9</sup> KRAUSE (son of Arthur Theodore Krause and Claudine Alice Worthington).
  289. ii. VALERIE KRAUSE (biological daughter of Arthur Theodore Krause and daughter of Claudine Alice Worthington). She married ? WOOD.
128. **ORVILLE HERMAN<sup>8</sup> KRAUSE** (Herman Martin<sup>7</sup> Jr., Herman Martin<sup>6</sup> Sr., Gggf<sup>5</sup>, ?-A<sup>4</sup>, Branch-One-A<sup>3</sup>, Haplogroup-I2a-F3744-Positive<sup>2</sup>, Schlochau-Branches<sup>1</sup>) was born on 06 June 1924 in Little Wolf Twp., Waupaca Co., WI<sup>1</sup>. He died on 15 March 1992 in Oshkosh, Winnebago Co., WI<sup>1</sup>. He married Betty Jean Baxter (daughter of Donald B. Baxter and Eva Cartwright) on 15 December 1945 in New London, Waupaca Co., WI. She was born on 09 October 1927 in Waupaca, Waupaca Co., WI<sup>1</sup>. She died on 26 August 2017 in Oshkosh, Winnebago Co., WI<sup>1</sup>.

Notes for Orville Herman Krause:

Ref:

1930 Census, Little Wolf Twp., Waupaca Co., WI, ED#22, p10B/99B, frame 21/22, taken 25 Apr. 1930, age 5, in home of Carl Theodore Krause.

Notes for Betty Jean Baxter:

Ref:

1930 Census, Waupaca(Ward#2), Waupaca Co., WI, ED#41, p9B/241B, frame 18/18, taken 19 Apr 1930, age 2 1/2

Orville Herman Krause and Betty Jean Baxter had the following children:

- +290. i. ORVILLE DONALD 'BUTCH'<sup>9</sup> KRAUSE (son of Orville Herman Krause and Betty Jean Baxter) was born on 04 June 1946 in Richmond, VA<sup>1</sup>. He died on 09 September 2017 in Waupun, Fond du Lac Co., WI<sup>1</sup>. He married LIVING DEASTELL (daughter of John Nels Deastell Sr. and Florence M. McMullen).
- +291. ii. GARRETT LEE KRAUSE I (son of Orville Herman Krause and Betty Jean Baxter) was born on 05 December 1947 in New London, Waupaca Co., WI<sup>18</sup>. He died on 27

---

### Generation 4 (cont.)

- November 2011 in Oshkosh, Winnebago Co., WI<sup>18</sup>. He married (1) LIVING DURKEE (daughter of Howard Clayton Durkee Sr. and Dona Mae Runke). He married (2) ROSEMARY KLEINSCHMIDT (daughter of Norman Kleinschmidt and Jane E. Gibson) on 09 December 1967 in Oshkosh, Winnebago Co., WI. She was born in 1950 in Oshkosh, Winnebago Co., WI. She died in 2018 in Oshkosh, Winnebago Co., WI.
- +292. iii. LIVING KRAUSE (son of Orville Herman Krause and Betty Jean Baxter). He married (1) LIVING RUMLOW. He married (2) LIVING STENSON.
- +293. iv. LIVING KRAUSE (son of Orville Herman Krause and Betty Jean Baxter). He married (1) LIVING MANSKE. He married (2) LIVING GRANT.
- +294. v. LIVING KRAUSE (daughter of Orville Herman Krause and Betty Jean Baxter). She married (1) LIVING TYSON. She married (2) LIVING DEUBLAR.
- +295. vi. KAREN JEAN KRAUSE (daughter of Orville Herman Krause and Betty Jean Baxter) was born on 12 April 1958 in Oshkosh, Winnebago Co., WI. She died on 15 September 2009 in Oshkosh, Winnebago Co., WI. She married LIVING HILL (son of Son Hill).
129. **ELEANOR ROSE<sup>8</sup> KRAUSE** (Herman Martin<sup>7</sup> Jr., Herman Martin<sup>6</sup> Sr., Gggf<sup>5</sup>, ?-A<sup>4</sup>, Branch-One-A<sup>3</sup>, Haplogroup-I2a-F3744-Positive<sup>2</sup>, Schlochau-Branches<sup>1</sup>) was born on 01 November 1926 in Manawa, WI<sup>18</sup>. She died on 08 March 1994 in Oshkosh, Winnebago Co., WI. She married (1) **JOHN HERMAN WINTERS** (son of ? Winters and Lucille ???) before 1943 in ?. He was born on 19 May 1920 in Milwaukee, Milwaukee Co., WI. He died on 18 November 1974 in Phillips, Price Co., WI. She married (2) **JOSEPH F. KASARSKY** on 24 July 1959. He was born on 25 February 1928 in ?<sup>18</sup>. He died on 29 September 1979 in Oshkosh, Winnebago Co., WI.

Notes for Eleanor Rose Krause:

Ref:

1930 Census, New London City(Ward#2), Waupaca Co., WI, ED#29, p2B/148B, frame 4/12, taken 3 Apr. 1930, age 3, in home of Albert Hoppe

John Herman Winters and Eleanor Rose Krause had the following children:

296. i. JOHN H.<sup>9</sup> WINTERS (son of John Herman Winters and Eleanor Rose Krause). He married ELLEN E. ???.
297. ii. ROSEMARY WINTERS (daughter of John Herman Winters and Eleanor Rose Krause) was born on 24 November 1943 in Waupaca Co., WI. She died before 2003. She married ARLAN CORNELIUS.
- +298. iii. DIANE WINTERS (daughter of John Herman Winters and Eleanor Rose Krause). She married Keith Wolf in Oshkosh, WI.
299. iv. SHIRLEY ANN WINTERS (daughter of John Herman Winters and Eleanor Rose Krause). She married PAUL BEASLEY.
300. v. DEBORAH WINTERS (daughter of John Herman Winters and Eleanor Rose Krause). She married JOHN BATTERMAN.
301. vi. BARBRA L. WINTERS (daughter of John Herman Winters and Eleanor Rose Krause). She married MICHAEL MESSING.
- +302. vii. BONNIE JEAN WINTERS (daughter of John Herman Winters and Eleanor Rose Krause) was born on 10 September 1953 in Oshkosh, Winnebago Co., WI. She died on 26 May 2003 in Oshkosh, Winnebago Co., WI. She married Ralph J. Makurat on 21 September 1973 in Redgranite, WI.

Notes for Joseph F. Kasarsky:

DOD in SSDB indicates Dec 1979

130. **DONALD EDWARD<sup>8</sup> KRAUSE SR.** (Herman Martin<sup>7</sup> Jr., Herman Martin<sup>6</sup> Sr., Gggf<sup>5</sup>, ?-A<sup>4</sup>, Branch-One-A<sup>3</sup>, Haplogroup-I2a-F3744-Positive<sup>2</sup>, Schlochau-Branches<sup>1</sup>) was born on 30 June 1928 in Waupaca Co., WI. He died on 03 February 2004 in Sherman, Grayson Co., TX. He married (1) **REGINA MARIE OVERMAN** (daughter of Reginald Ollie Overman and Thelma Vernell Pietri) on 04

---

### Generation 4 (cont.)

July 1950 in Sherman, Grayson Co., TX. She was born on 03 November 1927 in Cleveland, Cuyahoga Co., OH. She died on 24 February 2020 in Sherman, Grayson Co., TX. He married (2) **HELEN ???** after 1973.

Notes for Donald Edward Krause Sr.:

Ref:

1930, Census, Matteson Twp., Waupaca Co., WI, ED#26, p7A/126A, frame 13/18, taken 23 Apr. 1930, age 1 10/12, in home of grandparents, Walter Velie

The following is from the Find A Grave information:

Donald E. Krause, Sr

Memorial  
Photos  
Flowers  
Edit  
Share

Learn about sponsoring this memorial...

Birth: Jun. 30, 1928

Death: Feb. 3, 2004

Donald was born in Manawa, Wisconsin to the late Herman and Geneva Velie Krause. He passed away at Wilson N. Jones Medical Center, Sherman, Texas.

On 4 July 1950, he married Miss Regina Overman in St. Mary's Catholic Church, Sherman.

He joined the U.S. Air Force shortly after high school and stayed until his military retirement.

He was a member of St Mary's Catholic Church and the Knights of Columbus in Mount Clemens, Michigan.

He was preceded in death by his parents, two brothers, one sister and a son, Jerry Krause.

Mr. Krause is survived by his wife Regina of Sherman; five sons, Kerry of Houston, Texas, Kevin of Sherman, Donald Jr. and his wife Linda of Sherman, Tim of Gordonville, Texas and John and his wife Anne of Tacoma, Washington; two daughters Raenelle Weatherly of Anacortes, Washington and Renee Levensgood and her husband Gerald of Kingston, Washington; a daughter-in-law, Rosanna Krause of Mount Clemens; 21 grandchildren, two great grandchildren; and several nieces, nephews and other family members.

Rosary was recited at Waldo Funeral Home.

A mass of Christian burial was celebrated at St Mary's Catholic Church, the Reverend Jeremy Myers, pastor of the church officiated.

Burial with military honors followed at St Mary's Catholic Cemetery.

Pallbearers were John Chambers, Don Krause Jr., Tim Krause, Anthony Krause, Kerry Krause, and Kevin Krause.

Relationship Notes for Donald Edward Krause Sr. and Regina Marie Overman:

Texas, Divorce Index, 1968-2002 about Regina M [Krause]

Name: Regina M [Krause]

Estimated Birth Year: abt 1928

---

### Generation 4 (cont.)

Age: 45  
Spouse's Name: Donald E Krause  
Spouse's Estimated Birth Year: abt 1929  
Spouse's Age: 44  
Divorce Date: 14 Jun 1973  
Marriage Date: 4 Jul 1950  
County: Grayson

Donald Edward Krause Sr. and Regina Marie Overman had the following children:

- 303. i. LIVING KRAUSE (son of Donald Edward Krause Sr. and Regina Marie Overman).
  - +304. ii. LIVING KRAUSE (daughter of Donald Edward Krause Sr. and Regina Marie Overman). She married LIVING WEATHERLY (son of Ralph Bernard Weatherly and Irene Janet Smith).
  - 305. iii. LIVING KRAUSE (son of Donald Edward Krause Sr. and Regina Marie Overman).
  - +306. iv. LIVING KRAUSE (daughter of Donald Edward Krause Sr. and Regina Marie Overman). She married LIVING LEVENGOOD.
  - 307. v. LIVING KRAUSE JR. (son of Donald Edward Krause Sr. and Regina Marie Overman).
  - 308. vi. LIVING KRAUSE (son of Donald Edward Krause Sr. and Regina Marie Overman).
  - +309. vii. JEFFREY ALAN KRAUSE (son of Donald Edward Krause Sr. and Regina Marie Overman) was born on 15 December 1963 in Mt. Clemens, Macomb Co., MI. He died on 11 December 1995 in Mt. Clemens, Macomb Co., MI. He married Roseanna Gardynik on 25 August 1988 in Mt. Clemens, Macomb Co., MI.
131. **EARL T.<sup>8</sup> KRAUSE** (Carl Theodore<sup>7</sup>, Herman Martin<sup>6</sup> Sr., Gggf<sup>5</sup>, ?-A<sup>4</sup>, Branch-One-A<sup>3</sup>, Haplogroup-I2a-F3744-Positive<sup>2</sup>, Schlochau-Branches<sup>1</sup>) was born on 07 June 1920 in Little Wolf, Waupaca Co., WI<sup>18</sup>. He died on 29 August 2001 in Neenah, Winnebago Co., WI<sup>18</sup>. He married Harriet M. Kolgen between 1945-1946. She was born on 17 February 1928 in Wisconsin Rapids, WI<sup>18</sup>. She died on 09 November 2007 in Neenah, Winnebago Co., WI<sup>18</sup>.

Notes for Earl T. Krause:

Ref:

1930 Census, Little Wolf Twp., Waupaca Co., WI, ED#22, p10B/99B, frame 21/22, taken 25 Apr. 1930, age 9

1940 Census, Little Wolf Twp., Waupaca Co., WI, ED#68-22, p5A/234A, family#79, frame 9/26, taken 20 Apr 1940, age 20

Earl T. Krause and Harriet M. Kolgen had the following children:

- +310. i. LIVING KRAUSE (daughter of Earl T. Krause and Harriet M. Kolgen). She married LIVING DEDERING.
  - 311. ii. LIVING KRAUSE (son of Earl T. Krause and Harriet M. Kolgen). He married LIVING ???.
  - 312. iii. LIVING KRAUSE (son of Earl T. Krause and Harriet M. Kolgen). He married LIVING FRISCH.
133. **LIVING KRAUSE** (Carl Theodore<sup>7</sup>, Herman Martin<sup>6</sup> Sr., Gggf<sup>5</sup>, ?-A<sup>4</sup>, Branch-One-A<sup>3</sup>, Haplogroup-I2a-F3744-Positive<sup>2</sup>, Schlochau-Branches<sup>1</sup>). She married **HAROLD LISKOW**. He was born on 10 October 1917. He died on 06 April 2010 in Sevierville, Sevier Co., TN.
- Harold Liskow and Living Krause had the following child:
- 313. i. LIVING LISKOW (son of Harold Liskow and Living Krause).
134. **CARL MARTIN<sup>8</sup> KRAUSE SR.** (Carl Theodore<sup>7</sup>, Herman Martin<sup>6</sup> Sr., Gggf<sup>5</sup>, ?-A<sup>4</sup>, Branch-One-A<sup>3</sup>, Haplogroup-I2a-F3744-Positive<sup>2</sup>, Schlochau-Branches<sup>1</sup>) was born on 10 September 1925 in Little Wolf, Waupaca Co., WI<sup>18, 39</sup>. He died on 24 June 1983 in Royal Oak, Oakland Co., MI<sup>5, 18, 39</sup>. He married Betty Mae Miller (daughter of Edward Frederick Miller and Amelia Marie Pagel) on 15 December 1945 in ?. She was born on 12 October 1926 in Medina, WI<sup>18</sup>. She died on 06 April 2011 in Farmington, Oakland Co., MI<sup>18</sup>.

---

## Generation 4 (cont.)

Notes for Carl Martin Krause Sr.:

Ref:

1930 Census, Little Wolf Twp., Waupaca Co., WI, ED#22, p10B/99B, frame 21/22, taken 25 Apr. 1930, age 4 6/12

1940 Census, Little Wolf Twp., Waupaca Co., WI, ED#68-22, p5A/234A, family#79, frame 9/26, taken 20 Apr 1940, age 14

Michigan Deaths, 1971-1996 about Carl M Krause

Name: Carl M Krause

Birth Date: 10 Sep 1925

Death Date: 24 Jun 1983

Gender: Male

Residence: Farmington, Oakland, Michigan

Place of Death: Royal Oak, Oakland, Michigan

Carl Martin Krause Sr. and Betty Mae Miller had the following children:

- +314. i. DARNEL MARTIN<sup>9</sup>KRAUSE (son of Carl Martin Krause Sr. and Betty Mae Miller) was born on 16 February 1947 in Detroit, Wayne Co., MI. He married Patricia Ormsby date Unknown in ?. She was born on 22 October 1952 in Detroit, Wayne Co., MI.
  - +315. ii. LELAND 'LEE' EDWARD KRAUSE (son of Carl Martin Krause Sr. and Betty Mae Miller) was born on 10 June 1948 in Detroit, Wayne Co., MI. He married Susan K. ??? date Unknown in ?. She was born on 05 March 1949 in ?.
  - +316. iii. LIVING KRAUSE JR. (son of Carl Martin Krause Sr. and Betty Mae Miller). He married (1) LIVING VINES. He married (2) LIVING NICHOLS.
  - +317. iv. JEFFERY RAY KRAUSE (son of Carl Martin Krause Sr. and Betty Mae Miller) was born on 07 April 1956 in Livonia, Wayne Co., MI. He married Patricia ??? date Unknown in ?. She was born about 1956 in Kittery, ME.
135. **LIVING KRAUSE** (Carl Theodore<sup>7</sup>, Herman Martin<sup>6</sup> Sr., Gggf<sup>5</sup>, ?-A<sup>4</sup>, Branch-One-A<sup>3</sup>, Haplogroup-I2a-F3744-Positive<sup>2</sup>, Schlochau-Branches<sup>1</sup>). She married **LEONARD HAHN**. He was born on 17 February 1907 in Manawa, WI. He died on 10 October 1980 in Manawa, WI.

Leonard Hahn and Living Krause had the following children:

- +318. i. LIVING HAHN (daughter of Leonard Hahn and Living Krause). She married (1) LIVING MORAN. She married (2) LIVING ???.
  - +319. ii. LIVING HAHN (daughter of Leonard Hahn and Living Krause). She married LIVING MAGGIO.
  - +320. iii. LIVING HAHN (daughter of Leonard Hahn and Living Krause). She married LIVING WAGNER.
137. **LIVING KRAUSE** (Carl Theodore<sup>7</sup>, Herman Martin<sup>6</sup> Sr., Gggf<sup>5</sup>, ?-A<sup>4</sup>, Branch-One-A<sup>3</sup>, Haplogroup-I2a-F3744-Positive<sup>2</sup>, Schlochau-Branches<sup>1</sup>). She married **JAMES FRANKLIN BURTON JR.** (son of James Franklin Burton Sr. and Vesta Hammock). He was born on 26 October 1923 in Battle Creek, Calhoun Co., MI<sup>28</sup>.

Notes for James Franklin Burton Jr.:

Ref:

1930 Census, Battle Creek, Calhoun Co., MI, ED#13-29, p3A/165A, family#61, frame 5/32, taken 3 Apr 1930, age 6

1940 Census, Battle Creek, Calhoun Co., MI, ED#13-38, p16B/71B, family#377, frame 32/46, taken 16 Apr 1940, age 16, name: James Jr.

U.S. Public Records Index, Volume 2 about James F Burton Jr

Name: James F Burton Jr

---

### Generation 4 (cont.)

Birth Date: 26 Oct 1923  
Address: 162 Dream Dr, Battle Creek, MI, 49017-5224

James Franklin Burton Jr. and Living Krause had the following children:

- 321. i. LIVING BURTON (son of James Franklin Burton Jr. and Living Krause).
- 322. ii. LIVING BURTON (daughter of James Franklin Burton Jr. and Living Krause). She married LIVING JOHNSON.
- 323. iii. LIVING BURTON (daughter of James Franklin Burton Jr. and Living Krause).
- 324. iv. LIVING BURTON (son of James Franklin Burton Jr. and Living Krause).

138. **LIVING KRAUSE** (Carl Theodore<sup>7</sup>, Herman Martin<sup>6</sup> Sr., Gggf<sup>5</sup>, ?-A<sup>4</sup>, Branch-One-A<sup>3</sup>, Haplogroup-I2a-F3744-Positive<sup>2</sup>, Schlochau-Branches<sup>1</sup>). She married **LIVING PLOWMAN JR.** (son of George 'Clifford' Plowman Sr. and Mary 'Bonita' Finkle).

Living Plowman Jr. and Living Krause had the following children:

- +325. i. LIVING PLOWMAN (son of Living Plowman Jr. and Living Krause). He married LIVING SCHMIDT.
- +326. ii. LIVING PLOWMAN (daughter of Living Plowman Jr. and Living Krause). She married LIVING ROSENOW.
- +327. iii. LIVING PLOWMAN (son of Living Plowman Jr. and Living Krause). He married LIVING ZWEIDINGER.
- +328. iv. LIVING PLOWMAN SR. (son of Living Plowman Jr. and Living Krause). He married LIVING REMMEL.
- +329. v. LIVING PLOWMAN (daughter of Living Plowman Jr. and Living Krause). She married LIVING HANLON.

139. **LIVING KRAUSE** (Carl Theodore<sup>7</sup>, Herman Martin<sup>6</sup> Sr., Gggf<sup>5</sup>, ?-A<sup>4</sup>, Branch-One-A<sup>3</sup>, Haplogroup-I2a-F3744-Positive<sup>2</sup>, Schlochau-Branches<sup>1</sup>). She married **LIVING WILDHAGEN**.

Living Wildhagen and Living Krause had the following children:

- 330. i. LIVING WILDHAGEN (son of Living Wildhagen and Living Krause).
- 331. ii. LIVING WILDHAGEN (son of Living Wildhagen and Living Krause). He married **NADINE ANN LASKOWSKI**. She was born date Unknown in ?.
- 332. iii. LIVING WILDHAGEN (son of Living Wildhagen and Living Krause).
- 333. iv. LIVING WILDHAGEN (son of Living Wildhagen and Living Krause). He married LIVING ???.

---

### Generation 5

145. **LIVING BRAUN** (Elsie Nellie<sup>8</sup> Marquardt, Augusta<sup>7</sup> Krause, Johann 'John'<sup>6</sup> Krause Sr., Gggf<sup>5</sup> Krause, Eric Frederick, Hermann). She married **CARL LYLE ROSEN**. He was born on 26 May 1931 in Brooklyn, NY<sup>34</sup>. He died on 12 March 2012 in Canton, Stark Co., OH.

Notes for Carl Lyle Rosen:

U.S. Cemetery and Funeral Home Collection about Carl Rosen

Name: Carl Rosen

Gender: Male

Age at Death: 80

Date of Birth: 26 May 1931

Birth Place: Brooklyn, New York, USA

Date of Death: 12 Mar 2012

Source Location: Canton, Ohio, USA

Spouse: March

Children: Janelle (Paul Romond) and Michael (Anne)

Parents: Education; Lillian and Sydney Rosen

Military: Army

---

---

### Generation 5 (cont.)

Full Obituary: In Memoriam of Carl Rosen  
Born: May 26, 1931  
Death: March 12, 2012  
Carl Rosen  
May 26, 1931 - March 12, 2012  
Dr. Carl L. Rosen of Marlboro Township, Alliance, Ohio passed away Monday March 12, 2012. Carl was born May 26, 1931 to Lillian and Sydney Rosen in Brooklyn, New York. He graduated from Brooklyn College and the Chicago College of Optometry. In 1953 Carl joined the Army Medical Service Corps and was stationed in Germany before returning to Fort Campbell, Kentucky. There Carl met Betty June Braun, Second Lieutenant in the Nursing Corps. Carl and Betty were married March 4, 1956 and had their first child, Janelle in 1957. After leaving the Army, they relocated to Minnesota where their second child, Michael was born in 1958. Also in Minnesota Carl's professional interests shifted to Education. He taught primary school while earning Masters degrees in Psychology and Education, and a PhD in Education from the University of Minnesota. Carl's focus was graduate instruction in reading for elementary school teachers. He specialized in learning disabilities and bilingual education. Carl taught at the universities of Georgia, Georgia State, and Texas at El Paso before moving to Ohio in 1971 to teach at Kent State University, where he directed the Educational Child Study Center. Carl received Kent State's Distinguished Teaching Award in 1977 and retired Professor Emeritus in 1993. In addition to his lengthy and distinguished professional career, Carl's interests were wide ranging. He loved art, music, literature and animals. Carl, Betty and their children bred, raised and showed Salutory Scottish Deerhounds, including many champion show dogs. Carl was a loving husband, nurturing father, and a gentle, honest man who will be missed dearly by his family and friends. He is survived by Betty, his wife of 56 years, his two children, Janelle (Paul Romond) and Michael (Anne), and his granddaughters, Rachel Rosen and Lillian Romond. Receiving hours will be Thursday 4:00 p.m.- 5:30 p.m. at Arnold Funeral Home, 504 W. Maple St, Hartville. A Memorial service for Carl will begin promptly at 5:30 p.m. In lieu of flowers, the family requests that donations be made to the Woodlawn Compassionate Care Center, 2821 Woodlawn NW. Canton, OH 44708. Arnold Hartville 330-877-9364 www.arnoldfuneralhome.com Sign the Guestbook Share your thoughts and memories about Carl Rosen in the guestbook. Sign the guestbook Read the guestbook Memorial Networks Partner Provider: Batesville Interactive, All rights reserved. | Funeral Home Website by Batesville Interactive Print Page --> \_uacct = "UA-1512247-2";urchinTracker();

Carl Lyle Rosen and Living Braun had the following children:

- 334. i. LIVING ROSEN (daughter of Carl Lyle Rosen and Living Braun). She married LIVING ROMOND.
- 335. ii. LIVING ROSEN (son of Carl Lyle Rosen and Living Braun). He married LIVING KOVALCHUK.

146. **WILLIAM AUGUST<sup>9</sup> MARQUARDT JR.** (William 'Willie' August<sup>8</sup> Sr., Augusta<sup>7</sup> Krause, Johann 'John'<sup>6</sup> Krause Sr., Gggf<sup>5</sup> Krause, William 'Willie' August<sup>8</sup> Sr., William) was born on 19 September 1930 in Elgin, Kane Co., IL<sup>40</sup>. He died in July 1959 in ?. He married Norma Jean Kane date Unknown in ?. She was born on 08 June 1932 in Elgin, Kane Co., IL<sup>40</sup>.

Notes for William August Marquardt Jr.:

Ref:

1940 Census, Elgin, Elgin Twp., Kane Co., IL, ED#45-76, p4A/1212A, family#79, frame 7/34, taken 10 Apr 1940, age 9

Lived at: 37242 Lakewood Dr, Zephyrhills, FL according to USPR Vol 2

Name: William Marquardt

SSN: 384-22-2546

Born: 19 Sep 1930

Died: Jul 1959

State (Year) SSN issued: Michigan (Before 1951)

Name: William P Marquardt

[William Marquardt]

Birth Date: 19 Sep 1930

Death Date: Jul 1959

Claim Date: 20 Jul 1959



---

## Generation 5 (cont.)

SSN: 384222546

William August Marquardt Jr. and Norma Jean Kane had the following child:

- +336. i. WILLIAM HAL<sup>10</sup> MARKWARDT (son of William August Marquardt Jr. and Norma Jean Kane) was born on 01 November 1956 in ?<sup>42</sup>. He married Jill K. Vanpelt date Unknown in ?. She was born on 31 May 1959 in ?<sup>32</sup>.

147. **ROBERT W. O.<sup>9</sup> SCHNEFF** (Ella Bertha<sup>8</sup> Krause, John<sup>7</sup> Krause Jr., Johann 'John'<sup>6</sup> Krause Sr., Gggf<sup>5</sup> Krause, William Arthur) was born on 11 December 1920 in Elgin, Kane Co., IL. He died on 03 August 2003 in Elgin, Kane Co., IL. He married A. Marjorie Berger on 21 October 1944 in McComb, MS. She was born on 19 July 1921<sup>18</sup>. She died on 07 September 2006 in Elgin, Kane Co., IL<sup>18</sup>.

Notes for Robert W. O. Schneff:

Ref:

1930 Census, #274 N Commonwealth Ave., Elgin City, Kane Co., IL, ED#68, p10B/251B, frame 20/26, taken 10 Apr. 1930, age 9

Obit:

Robert was born December 11, 1920 in Elgin, Illinois the son of William and Ella Krause Schneff. He is survived by his wife Marjorie Berger Schneff. They were married on October 21, 1944 in McComb, Ms. He is survived by his son James (Diane). He was preceded by his parents and a son William in 1997. Services were held at Wait Ross Allanson Elgin Chapel with the Rev. Olin Sletto officiating and burial in Lakewood Cemetery.

Robert W. O. Schneff and A. Marjorie Berger had the following children:

337. i. WILLIAM<sup>10</sup> SCHNEFF (son of Robert W. O. Schneff and A. Marjorie Berger) was born on 10 March 1948<sup>18</sup>. He died on 08 June 1997 in South Elgin, Kane Co., IL<sup>18</sup>.
338. ii. LIVING SCHNEFF (son of Robert W. O. Schneff and A. Marjorie Berger). He married LIVING ???.

148. **DOROTHY MAE<sup>9</sup> SCHNEFF** (Ella Bertha<sup>8</sup> Krause, John<sup>7</sup> Krause Jr., Johann 'John'<sup>6</sup> Krause Sr., Gggf<sup>5</sup> Krause, William Arthur) was born on 09 April 1925 in Elgin, Kane Co., IL<sup>18</sup>. She died on 13 January 2007 in Sterling, Whiteside Co., IL<sup>18</sup>. She married **ROLAND V. LEROUX**. He was born on 14 February 1922<sup>18</sup>. He died on 23 June 2004 in Sterling, Whiteside Co., IL<sup>18</sup>.

Notes for Dorothy Mae Schneff:

Ref:

1930 Census, #274 N Commonwealth Ave., Elgin City, Kane Co., IL, ED#68, p10B/251B, frame 20/26, taken 10 Apr. 1930, age 4 11/12

Roland V. Leroux and Dorothy Mae Schneff had the following children:

- +339. i. LIVING LEROUX (son of Roland V. Leroux and Dorothy Mae Schneff). He married LIVING ???.
340. ii. CHRISTINA LEROUX (daughter of Roland V. Leroux and Dorothy Mae Schneff).

150. **HOWARD RUSSELL<sup>9</sup> KNICKREHM** (William H.<sup>8</sup>, Caroline 'Carrie' Johanna<sup>7</sup> Krause, Johann 'John'<sup>6</sup> Krause Sr., Gggf<sup>5</sup> Krause, William H.<sup>8</sup>, William H., Hans Heinrich Wilhelm, Wilhelm, ?, Root-Knickrehm) was born on 20 October 1911 in Elgin, Kane Co., IL. He died in April 1975 in Bartlett, Cook Co., IL. He married Janet Margueritte Bell on 23 November 1938 in Kane Co., IL. She was born on 18 October 1914 in Ewing, Franklin Co., IL. She died in May 1982 in Bartlett, Cook Co., IL.

Howard Russell Knickrehm and Janet Margueritte Bell had the following children:

- +341. i. JOHN HOWARD<sup>10</sup> KNICKREHM (son of Howard Russell Knickrehm and Janet Margueritte Bell) was born on 05 March 1940 in Elgin, Kane Co., IL. He died on 08 September 2009 in Colorado Springs, El Paso Co., CO. He married ? ???.

---

## Generation 5 (cont.)

342. ii. LIVING KNICKREHM (son of Howard Russell Knickrehm and Janet Margueritte Bell).
151. **LEROY LEWIS<sup>9</sup> BULL** (Emma Bertha<sup>8</sup> Knickrehm, Caroline 'Carrie' Johanna<sup>7</sup> Krause, Johann 'John'<sup>6</sup> Krause Sr., Gggf<sup>5</sup> Krause, Lewis William, August) was born on 04 September 1920 in Elgin, Kane Co., IL. He died on 06 December 1971 in Elgin, Kane Co., IL. He married Mary Jane Gladys McMahon on 19 June 1948 in Elgin, Kane Co., IL. She was born on 16 May 1916. She died on Dead.
- LeRoy Lewis Bull and Mary Jane Gladys McMahon had the following children:
- +343. i. LIVING BULL (son of LeRoy Lewis Bull and Mary Jane Gladys McMahon). He married LIVING SMEAD.
344. ii. LIVING BULL (daughter of LeRoy Lewis Bull and Mary Jane Gladys McMahon).
152. **DONALD H. 'DON'<sup>9</sup> HANSING** (Clara G.<sup>8</sup> Knickrehm, Caroline 'Carrie' Johanna<sup>7</sup> Krause, Johann 'John'<sup>6</sup> Krause Sr., Gggf<sup>5</sup> Krause, Henry) was born on 17 September 1924 in Rockford, Winnebago Co., IL<sup>36</sup>. He died on 11 October 2017 in Rockford, Winnebago Co., IL<sup>36</sup>. He married Lois Odelius on 18 May 1946 in Rockford, Winnebago Co., IL. She was born on 26 April 1923<sup>36</sup>. She died on 23 May 2005 in Rockford, Winnebago Co., IL<sup>36</sup>.

Notes for Donald H. 'Don' Hansing:

Donald H. Hansing, 93, of Rockford, Illinois, passed away on Wednesday, October 11, 2017. Don was born on September 17, 1924 in Rockford, the son of Henry F. and Clara (Knickrehm) Hansing.

Don graduated from East High School in 1943. He worked at Fran Kral Lincoln Mercury from 1948 to 1981. He was a charter member of Mt. Olive Lutheran Church and served the congregation in many capacities, including former president of the church council and elder.

Don married Lois Odelius on May 18, 1946 in Rockford. She predeceased him on May 23, 2005.

Survivors include: daughter, Jacqueline Baker; sons, David (Vicki), and Richard (Lisa) Hansing; grandchildren, Jessica, Meghan, Ryan, Hannah, and Cate; nine great-grandchildren; half-brothers, Andy (Vicki), Norm (Rosemary), Hank (Pat), and Chuck (Eileen) Hansing; half-sisters, Anita (Glenn) Robinson and Wanda (Rod) Rasmussen.

He was predeceased by: parents; wife; and brothers, Bill (Karen) and John (Carol) Hansing.

Memorial Services on Saturday, October 14, 2017 in Mt. Olive Lutheran Church, Rockford.

Obituary information from Olson Funeral Home.

Notes for Lois Odelius:

ROCKFORD - Lois J. Hansing, 82, of Rockford died at 5:54 a.m. Monday, May 23, 2005, in River Bluff Nursing Home. Born April 26, 1923, the daughter of Linus and Freda (Nelson) Odelius. Married Donald Hansing on May 18, 1946 in Rockford. Graduated from Milaca (Minn.) High School in 1942. Employed by Wesley Willows for 20 years as a private duty aide. Charter member of Mount Olive Lutheran Church. She enjoyed many years fishing in Breezy Point with family and friends.

Survivors include husband, Donald of Rockford; daughter, Jacqueline Baker of Rockford; sons, David (Vicki) Hansing of Greensboro, N.C., and Richard (Lisa) Hansing of Rockford; grandchildren, Jessica, Meghan, Ryan, Hannah, and Catherine; sisters, Betty (Ralph) Holmbeck of Belvidere and Janice (Roger) Reno of Rockford; and many nieces and nephews. Special thanks to the River Bluff Alzheimer Care Unit staff.

Service at 2 p.m. Thursday, May 26 in Mount Olive Lutheran Church, 2001 N. Alpine Road, with Pastor Kenneth E. Krause officiating. Interment in Cedar Bluff Cemetery. Visitation from noon to 1:45 p.m. Thursday, prior to service in the church. Family prefers memorials to Mount Olive Lutheran Church or River Bluff Alzheimer Wing. Arrangements by Fred C. Olson Funeral Chapels, Lt., East Chapel, 1001 Second Ave.

---

## Generation 5 (cont.)

Rockford Register Star, Wednesday, May 25, 2005 p. 14.

Donald H. 'Don' Hansing and Lois Odelius had the following children:

- 345. i. LIVING HANSING (daughter of Donald H. 'Don' Hansing and Lois Odelius). She married LIVING BAKER.
- 346. ii. LIVING HANSING (son of Donald H. 'Don' Hansing and Lois Odelius). He married LIVING ???.
- 347. iii. LIVING HANSING (son of Donald H. 'Don' Hansing and Lois Odelius). He married LIVING ???.
- 348. iv. LIVING HANSING (son of Donald H. 'Don' Hansing and Lois Odelius).

153. **LIVING KRAUSE** (Edwin Henry<sup>8</sup>, Carl 'Charlie' Gustav William<sup>7</sup>, Johann 'John'<sup>6</sup> Sr., Gggf<sup>5</sup>, ?-A<sup>4</sup>, Branch-One-A<sup>3</sup>, Haplogroup-I2a-F3744-Positive<sup>2</sup>, Schlochau-Branches<sup>1</sup>). He married **LIVING JACKSON** (daughter of Harry Leonard Jackson Sr. and Beulah Irene Thompson).

Living Krause and Living Jackson had the following children:

- +349. i. LIVING KRAUSE (daughter of Living Krause and Living Jackson). She married LIVING WANNOP (son of Rodney Howard William Wannop and Alice Louise Ritchie).
- +350. ii. LIVING KRAUSE (son of Living Krause and Living Jackson). He married LIVING DUDAR (daughter of William Henry Dudar and Adeline Elizabeth Syrnyk).
- 351. iii. LIVING KRAUSE (daughter of Living Krause and Living Jackson). She married (1) LIVING STOKALKO (son of Raymond Stokalko and Living Radzewon). She met (2) LIVING BUXTON (son of Living Buxton and Living Trapp).
- 352. iv. LIVING KRAUSE (child of Living Krause and Living Jackson).

154. **LIVING KRAUSE** (Edwin Henry<sup>8</sup>, Carl 'Charlie' Gustav William<sup>7</sup>, Johann 'John'<sup>6</sup> Sr., Gggf<sup>5</sup>, ?-A<sup>4</sup>, Branch-One-A<sup>3</sup>, Haplogroup-I2a-F3744-Positive<sup>2</sup>, Schlochau-Branches<sup>1</sup>). She married **GLENN 'GARRY' BRUCE** (son of Glenn Carnegie Bruce and Ethel 'Hope' Braendle). He was born on 24 June 1935 in Birtle, Manitoba. He died on 24 April 2019 in Calgary, AB.

Notes for Glenn 'Garry' Bruce:

G. Garry Bruce

June 24, 1935 - Birtle, Manitoba

April 24, 2019 - Calgary, Alberta

Garry Bruce passed away Wednesday, April 24, 2019 after a battle with cancer that never stole his determination, compassion and love for everyone around him. His footprint will forever be imprinted on the hearts of those who loved him, knew him and cared for him!

Garry was born in Birtle, Manitoba, Canada on June 24, 1935 and is survived by his beloved wife, Marlene (Krause) Bruce, whom he was married and committed to, for 57 loving years. He is also survived by his children, Lori (Grant) Henningsen of Minnesota and Brian Bruce (Marcella) of Willemstad, Curaco; two granddaughters, Rebecca Henningsen and Katelyn Henningsen of Minnesota; cousins, John (Bev) Moore and family, Jamie (Jean) Braendle and family, Corinne Groff and family; as well as several nieces, nephews, and extended family. Garry was an only child predeceased by his father Glen Bruce and mother Hope (Braendle) Bruce from Manitoba.

Garry cherished family and friendships, capturing everyone who crossed his path with stories from his days working at Gulf Canada, or swapping gardening tips and adventures with the many critters that competed for attention in his backyard oasis. He was very loyal to the many feats of his devoted football teams, the Saskatchewan Roughriders as well as the hockey happenings of The Calgary Flames. He enjoyed meeting and working with his community, his neighbors and friends, finding projects and ways to make a difference with his smile, willingness to problem solve and help others.

A Celebration of Garry's life will be held at Bonavista Church ( ) on September 14, 2019 from 3:00 to 5:00 pm for all those who would like to join his family and friends swapping their memories and

---

### Generation 5 (cont.)

stories. Light refreshments will be offered. Condolences may be forwarded through [www.McInnisandHolloway.com](http://www.McInnisandHolloway.com). If friends so desire, memorial tributes may be made directly to the Canadian Cancer Society, 200 - 325 Manning Rd. N.E., Calgary, AB T2E 2P5 Telephone: (403) 205-3966, email [donorservices@cancer.ab.ca](mailto:donorservices@cancer.ab.ca) or to the charity of the donor's choice.

In living memory of Garry Bruce, a tree will be planted at Fish Creek Provincial Park by McINNIS & HOLLOWAY FUNERAL HOMES, Fish Creek, 14441 Bannister Road SE, Calgary, AB, T2X 3J3, Telephone: 403-256-9575.

Glenn 'Garry' Bruce and Living Krause had the following children:

- +353. i. LIVING BRUCE (daughter of Glenn 'Garry' Bruce and Living Krause). She married LIVING HENNINGSSEN.
  - 354. ii. LIVING BRUCE (son of Glenn 'Garry' Bruce and Living Krause). He met LIVING LAPREE (daughter of Ron LaPree and ? ???).
155. **BARBARA ANNE<sup>9</sup> KRAUSE** (Edwin Henry<sup>8</sup>, Carl 'Charlie' Gustav William<sup>7</sup>, Johann 'John'<sup>6</sup> Sr., Gggf<sup>5</sup>, ?-A<sup>4</sup>, Branch-One-A<sup>3</sup>, Haplogroup-I2a-F3744-Positive<sup>2</sup>, Schlochau-Branches<sup>1</sup>) was born on 01 March 1946 in Moose Jaw, SK<sup>17</sup>. She died on 16 April 1994 in Moose Jaw, SK<sup>17</sup>. She married **LIVING MCINTYRE** (son of Neil McIntyre and Laura Minetta Chappel).
- Living McIntyre and Barbara Anne Krause had the following children:
- +355. i. LIVING MCINTYRE (son of Living McIntyre and Barbara Anne Krause). He married LIVING SWANSON (daughter of Living Swanson and Living Lougheed).
  - 356. ii. DEAN CURTIS MCINTYRE (son of Living McIntyre and Barbara Anne Krause) was born on 06 July 1980 in Moose Jaw, Saskatchewan. He died on 17 June 2001 in Regina, SK. He met KIM WALKER.
156. **CARL WALTER<sup>9</sup> WINKLER** (Annie Amelia Caroline<sup>8</sup> Krause, Carl 'Charlie' Gustav William<sup>7</sup> Krause, Johann 'John'<sup>6</sup> Krause Sr., Gggf<sup>5</sup> Krause, Walter, Rudolf Gottlieb) was born on 10 October 1933 in Bob Hamon Farm, Parkbeg District, SK. He died on 15 April 2019 in Moose Jaw, SK. He married **LIVING JACKSON** (daughter of Arthur Douglas Jackson and Geneva Grace Brownlee).

Notes for Carl Walter Winkler:

Carl's Obituary

Carl Winkler of Moose Jaw passed away on April 15, 2019 at the age of 85. Carl was born in the Parkbeg District. Carl overcame many obstacles from an early age to become a proud and dedicated farmer for 57 years. He was active in the community where he was a hockey referee, a ball umpire, a member of the RM Counsel, a long-term member with the Saskatchewan Wheat Pool as well as selling hail insurance for many years. He loved curling, fishing, hunting, camping, travelling and visiting with family, friends and people in general. In 2009 Carl and Grace retired from the farm and moved to Moose Jaw. Carl is predeceased by his father Walter and mother Annie; sister Elaine Blanchard; sister-in-law Mary Barber; special Uncle and Aunt John and Alice Winkler. Carl will be sadly missed by his wife of 62 years Grace; children Teresa Donley, Angela Burton (Darryl), Michael (Lucy); grandchildren Derek, Christy, Melanie, Kevin, Bret, Adam, Jenna and Megan; great grandchildren Ethan, Nicholas, Ella, Saige, Huxley, Hudson and Ember; sister Marilyn Dumonceau; sister-in-law Merle (Bill) Oldhaver; brother-in-law Bob (Mary) Jackson; special Aunt Gertrude Lambert as well as numerous cousins, nephews, nieces and many friends. The family would like to express their appreciation to the ICU and ER staff at the Dr. F. H. Wigmore Hospital for their care and compassion. As Carl's request there will be no formal service. A family interment will take place at a later date. For those wishing memorial donations may be made to the Providence Place McGuire Centre, 100 2nd Ave NE., Moose Jaw, SK S6H 1B8. In living memory of Carl, a memorial planting will be made by Jones - Parkview Funeral Services.

Carl Walter Winkler and Living Jackson had the following children:

- +357. i. LIVING WINKLER (daughter of Carl Walter Winkler and Living Jackson). She married

---

### Generation 5 (cont.)

- LIVING DONLEY.
- +358. ii. LIVING WINKLER (daughter of Carl Walter Winkler and Living Jackson). She married LIVING BURTON.
- +359. iii. LIVING WINKLER (son of Carl Walter Winkler and Living Jackson). He married (1) LIVING RZESZOWSKA. He married (2) LIVING BRANDON (daughter of Living Brandon and Living Chelsberg).
157. **LOIS 'ELAINE'<sup>9</sup> WINKLER** (Annie Amelia Caroline<sup>8</sup> Krause, Carl 'Charlie' Gustav William<sup>7</sup> Krause, Johann 'John'<sup>6</sup> Krause Sr., Gggf<sup>5</sup> Krause, Walter, Rudolf Gottlieb) was born on 31 October 1935 in Krause farm, 34-18-2 W3 Thunder Creek P.O. , Parkbeg, Sask. She died on 10 August 2010 in Moose Jaw, SK. She married (1) **HUBERT JACQUES BLANCHARD** (son of Charles Emile Blanchard and Delvina Pourier) on 30 September 1952 in Moose Jaw, Saskatchewan, Canada. He was born on 02 November 1929 in Gravelbourg, Saskatchewan. He died on 22 August 1983 in Parkbeg, Saskatchewan. She married (2) **ALBERT BROUSSEAU** on 25 October 1985 in Moose Jaw, Saskatchewan, Canada. He was born on 11 October 1921. He died before 2010.

Notes for Lois 'Elaine' Winkler:  
ELAINE BLANCHARD

Elaine Blanchard, formerly of the Parkbeg district, passed away after a short, courageous battle with cancer, at Pioneers Lodge in Moose Jaw on August 10, 2010. Elaine was born at Parkbeg in 1935, where she lived a good part of her life. She worked at the store there, and helped her father with the telephone office for many years. In 1953 she married Hubert Blanchard and they farmed together in the Parkbeg district. In her younger days, Elaine loved to play hockey, and curling, and enjoyed watching both. After moving to Moose Jaw she was a Walmart greeter for a number of years. Elaine was a member of the Parkbeg Gloom Chasers Club, the Mizpah Chapter of the Eastern Star, and the Fraternal Order of Eagles. She is predeceased by her parents, Walter Winkler and Anne Parsons; her first husband Hubert, and second husband Albert Brousseau. She leaves her daughter, Denise Young and children Heather (Jason Saritson), Torrance, Orion, and Josh; Shawn (Kim) Young, Emma; sons Barry, Don (Cindy) and children Melissa (Chris) Lafferty, Maya, Zoe, and Ava; Rachelle (Nick) Yeoman and Danica; Kyle (Amy); Kristen, Brianna and Savana; and Warren; brother Carl (Grace) Winkler; sister Marilyn Dumonceau, and half-sister Deanna; as well as many aunts, uncles, nieces, nephews and cousins. The family wishes to thank the wonderful staff at Pioneers Lodge for the very special care Mom received. The Funeral Service will be held at W.J.Jones & Son Chapel on Saturday August 14, 2010 at 2:00 pm. Pastor Marvin Seaborg will officiate. Interment will follow at Sunset Cemetery. Memorials to the Sask. Cancer Agency, 204 ? 3775 Pasqua St., Regina, SK, S4S 6W8, would be appreciated. In living memory of Elaine, a tree will be planted in Besant Park by W.J.Jones & Son Funeral Home.

Hubert Jacques Blanchard and Lois 'Elaine' Winkler had the following children:

- +360. i. LIVING BLANCHARD (daughter of Hubert Jacques Blanchard and Lois 'Elaine' Winkler). She married RANDY JAMES YOUNG (son of Harvey Otis Young and Edith Margurite Graves). He was born on 27 August 1952 in Moose Jaw, Saskatchewan, Canada. He died on 20 May 1994.
361. ii. LIVING BLANCHARD (son of Hubert Jacques Blanchard and Lois 'Elaine' Winkler).
- +362. iii. LIVING BLANCHARD (son of Hubert Jacques Blanchard and Lois 'Elaine' Winkler). He married LIVING GARDNER (daughter of Living Gardner and Living Rogerson).
363. iv. LIVING BLANCHARD (son of Hubert Jacques Blanchard and Lois 'Elaine' Winkler).
158. **LIVING WINKLER** (Annie Amelia Caroline<sup>8</sup> Krause, Carl 'Charlie' Gustav William<sup>7</sup> Krause, Johann 'John'<sup>6</sup> Krause Sr., Gggf<sup>5</sup> Krause, Walter, Rudolf Gottlieb). She married (1) **LIVING HARRIS** (son of John Donald 'Jack' Harris and Mary 'Molly' Christie). She married (2) **LIVING HENNIG**. She married (3) **LIVING DUMONCEAU** (son of ? Dumonceau and ? ???).

Living Harris and Living Winkler had the following child:

---

### Generation 5 (cont.)

- +364. i. LIVING WINKLER-HARRIS (daughter of Living Harris and Living Winkler). She married LIVING HUNCHUK (son of Living Hunchuk and Living Thompson).

Living Hennig and Living Winkler had the following child:

365. i. LIVING HENNIG (daughter of Living Hennig and Living Winkler). She married LIVING HENGERER.

Living Dumonceau and Living Winkler had the following children:

366. i. LIVING DUMONCEAU (daughter of Living Dumonceau and Living Winkler).  
367. ii. LIVING DUMONCEAU (son of Living Dumonceau and Living Winkler).  
368. iii. LIVING DUMONCEAU (daughter of Living Dumonceau and Living Winkler). She married LIVING KEER.  
369. iv. LIVING DUMONCEAU (son of Living Dumonceau and Living Winkler).

159. **LIVING SMART** (Annie Amelia Caroline<sup>8</sup> Krause, Carl 'Charlie' Gustav William<sup>7</sup> Krause, Johann 'John'<sup>6</sup> Krause Sr., Gggf<sup>5</sup> Krause, Allister Humphrey, Herbert Johnson, John). She married (1) **LIVING LONGMIRE**. She met (2) **LIVING PAQUIN**. She met (3) **LIVING SEABROOK** (son of Samuel Roy Seabrook and Goldie Beatrice Andrews). She married (4) **LIVING FODE**. She married (5) **LIVING MOSKALIUK**.

Living Paquin and Living Smart had the following child:

370. i. LIVING SMART (son of Living Paquin and Living Smart).

Living Seabrook and Living Smart had the following children:

371. i. LIVING SMART (son of Living Seabrook and Living Smart).  
372. ii. LIVING SMART (son of Living Seabrook and Living Smart).

160. **CHARLES ALBERT<sup>9</sup> KRAUSE** (Albert Carl<sup>8</sup>, Carl 'Charlie' Gustav William<sup>7</sup>, Johann 'John'<sup>6</sup> Sr., Gggf<sup>5</sup>, ?-A<sup>4</sup>, Branch-One-A<sup>3</sup>, Haplogroup-I2a-F3744-Positive<sup>2</sup>, Schlochau-Banches<sup>1</sup>) was born on 18 December 1939 in Moose Jaw, Saskatchewan, Canada. He died on 27 November 1973 in Moose Jaw, Saskatchewan, Canada. He married **LIVING BLISS** (daughter of George Edward Valentine Bliss Jr. and Marie-Anne Justine LeGare).

Charles Albert Krause and Living Bliss had the following children:

- +373. i. LIVING KRAUSE (daughter of Charles Albert Krause and Living Bliss). She married LIVING TIMMONS (son of Edward Patrick Timmons and Margaret Josephine Allan).  
+374. ii. LIVING KRAUSE (son of Charles Albert Krause and Living Bliss). He married (1) LIVING CRONE (daughter of Arthur Crone and Martha Reineke). He married (2) LIVING STRAND (daughter of Living Strand and Living Wingert).

161. **BETTY ANN IRENE<sup>9</sup> KRAUSE** (Albert Carl<sup>8</sup>, Carl 'Charlie' Gustav William<sup>7</sup>, Johann 'John'<sup>6</sup> Sr., Gggf<sup>5</sup>, ?-A<sup>4</sup>, Branch-One-A<sup>3</sup>, Haplogroup-I2a-F3744-Positive<sup>2</sup>, Schlochau-Banches<sup>1</sup>) was born on 25 February 1942 in Moose Jaw, Saskatchewan, Canada. She died on 14 December 2012 in Moose Jaw, SK. She married **LIVING WILKINSON** (son of George William Wilkinson and Jessie McQuarrie Kerr).

Notes for Betty Ann Irene Krause:

Betty Wilkinson

February 25, 1942 - December 14, 2012

Biography

Mrs. Betty Wilkinson of Moose Jaw, passed away peacefully on Friday December 14, 2012 at the age of 70. Born February 25, 1942 in Moose Jaw, Betty was raised on the farm near Parkbeg and later moved to Moose Jaw in 1974. Betty enjoyed looking after the home and spending time with her grandkids. Predeceased by her brother Charles, parents Albert and Viola, Betty is survived by her son Kerry Wilkinson, Brittany, Brady, Kelsey, and Kane; daughter Brenda (Brian) McNabb, Amanda and great-granddaughter Shilo Broadis; Kerry and Brenda's father Ralph - Assiniboia; sister-in-law Diane Krause, and her family, Rosalie Timmons, Justin, Melissa, Krista, and Steven Krause, Jordan and Christopher. A Celebration of Betty's life will be held at W.J.Jones & Son

---

### Generation 5 (cont.)

Chapel on Saturday December 22, 2012 at 1:30 pm. Pastor Marvin Seaborg will officiate. Private family memorialization will take place in the family plot, Rosedale Cemetery. In lieu of flowers, memorials to a charity of your choice would be appreciated. In living memory of Betty, a memorial planting will be made by W. J. Jones & Son Funeral Home.

#### Facts

Born: February 25, 1942

Death: December 14, 2012

#### Services

Celebration of Life

Saturday December 22, 2012, 1:30 pm at W. J. Jones & Son Chapel

Living Wilkinson and Betty Ann Irene Krause had the following children:

- +375. i. LIVING WILKINSON (son of Living Wilkinson and Betty Ann Irene Krause). He married LIVING SHORE (daughter of Living Shore and Ursula Marrienne Witt).
- +376. ii. LIVING WILKINSON (daughter of Living Wilkinson and Betty Ann Irene Krause). She married LIVING MCNABB (son of Russell James McNabb and Elaine Theresa Rose Gieger).

162. **FRANCES ELLA<sup>9</sup> LANGE** (Minnie B.<sup>8</sup> Lorenz, Hulda Wilhelmine<sup>7</sup> Krause, Johann 'John'<sup>6</sup> Krause Sr., Gggf<sup>5</sup> Krause, Walter Clarence, John F., Joachim, Frederick, Branch-One, Root-Lange) was born on 01 January 1918 in St James, Watonwan, Minnesota, USA. She died on 11 December 2015 in Bloomington, Hennepin Co., MN. She married Percy Oren Ronnei (son of ? Ronnei and ? Berdell) on 20 December 1941 in St James, Watonwan, Minnesota, USA. He was born on 31 March 1918 in Odin, Watonwan, Minnesota, USA. He died on 28 August 1977 in St. Louis Park, Hennepin Co., MN.

Notes for Frances Ella Lange:

Ref:

1920 Census, Nelson Twp., Watonwan Co., MN, ED#218, p6A/232A, frame 11/28, taken 15 Jan.

1920, age 1 11/12

1930 Census, Nelson Twp., Watonwan Co., MN, ED#12, p7A/74A, frame 13/14, taken 22 Apr.

1930, age 12

Percy Oren Ronnei and Frances Ella Lange had the following children:

- 377. i. LIVING RONNEI (son of Percy Oren Ronnei and Frances Ella Lange).
- 378. ii. LIVING RONNEI (son of Percy Oren Ronnei and Frances Ella Lange).
- 379. iii. LIVING RONNEI (son of Percy Oren Ronnei and Frances Ella Lange).

164. **MARVIN WILLIAM<sup>9</sup> LANG** (Minnie B.<sup>8</sup> Lorenz, Hulda Wilhelmine<sup>7</sup> Krause, Johann 'John'<sup>6</sup> Krause Sr., Gggf<sup>5</sup> Krause, Walter Clarence e, John F. Lange, Joachim Lange, Frederick Lange, Branch-One Lange, Root-Lange) was born on 10 December 1922 in Saint James, Watonwan Co., MN. He died on 30 April 2016 in Spring Park, Hennepin, Minnesota, USA. He married **DELORIS JOSEPHINE LUNZ**. She was born on 04 February 1926. She died on 12 August 2013 in Spring Park, Hennepin, Minnesota, USA.

Notes for Marvin William Lang:

Ref:

1930 Census, Nelson Twp., Watonwan Co., MN, ED#12, p7A/74A, frame 13/14, taken 22 Apr.

1930, age 7

Marvin William Lang and Deloris Josephine Lunz had the following child:

- +380. i. **MICHAEL<sup>10</sup> LANG** (son of Marvin William Lang and Deloris Josephine Lunz). He

---

## Generation 5 (cont.)

married ? WEIDENBACH.

168. **MARVIN DALE<sup>9</sup> LORENZ** (William Carl F.<sup>8</sup>, Hulda Wilhelmine<sup>7</sup> Krause, Johann 'John'<sup>6</sup> Krause Sr., Gggf<sup>5</sup> Krause, William Carl F.<sup>8</sup>, Frank Henry, Joseph J., John) was born on 22 November 1930 in Sawyer, Ward Co., ND. He died on 15 May 1991 in ND. He married **VIVIAN JOYCE SCHUHRKE** (daughter of Dewey W. Schuhrke and Katherine Vokal). She was born on 25 October 1932 in Belfield, Stark, North Dakota, USA. She died on 15 February 1980 in Velva, McHenry Co., ND.

Marvin Dale Lorenz and Vivian Joyce Schuhrke had the following children:

- 381. i. MARK ANDREW<sup>10</sup> LORENZ (son of Marvin Dale Lorenz and Vivian Joyce Schuhrke).
  - 382. ii. CYNTHIA LORENZ (daughter of Marvin Dale Lorenz and Vivian Joyce Schuhrke). She married ? SHATTUCK.
  - 383. iii. LIVING LORENZ (son of Marvin Dale Lorenz and Vivian Joyce Schuhrke).
  - 384. iv. LIVING LORENZ (daughter of Marvin Dale Lorenz and Vivian Joyce Schuhrke).
  - 385. v. LIVING LORENZ (son of Marvin Dale Lorenz and Vivian Joyce Schuhrke).
  - 386. vi. MARVIN W. LORENZ (son of Marvin Dale Lorenz and Vivian Joyce Schuhrke).
169. **WILLIAM MARTIN<sup>9</sup> LORENZ** (William Carl F.<sup>8</sup>, Hulda Wilhelmine<sup>7</sup> Krause, Johann 'John'<sup>6</sup> Krause Sr., Gggf<sup>5</sup> Krause, William Carl F.<sup>8</sup>, Frank Henry, Joseph J., John) was born on 14 April 1935 in Sawyer, Ward Co., ND. He died on 13 July 1997 in Sawyer, Ward Co., ND. He married ? ???.

Notes for William Martin Lorenz:

Obituary:

Bismark Tribune, Bismark, ND, 17 July 1997(Thursday), p9

William Lorenz

Sawyer -- William Martin Lorenz, 62, Sawyer, died July 13, 1997, in his home of natural causes. Services were Wednesday at St. Cecelia's Catholic Church, Velva, with burial in Velva Cemetery. He is survived by his mother, Martha Lorenz, Velva; one son, Billy, Bismark; three brothers, Waldo, Florence Ore., and Lloyd and Merle, both of Minot; and one sister, Vida Petersen, Bismark. (Thompson-Larson Funeral Home, Minot)

William Martin Lorenz and ? ??? had the following child:

- 387. i. BILLY<sup>10</sup> LORENZ (son of William Martin Lorenz and ? ???).
170. **LIVING LORENZ** (William Carl F.<sup>8</sup>, Hulda Wilhelmine<sup>7</sup> Krause, Johann 'John'<sup>6</sup> Krause Sr., Gggf<sup>5</sup> Krause, William Carl F.<sup>8</sup>, Frank Henry, Joseph J., John). She married **LIVING PETERSEN**.

Living Petersen and Living Lorenz had the following child:

- 388. i. LIVING PETERSEN (daughter of Living Petersen and Living Lorenz). She married ? DIEDE.
176. **LIVING LORENZ** (Frank Edward Ernest<sup>8</sup>, Hulda Wilhelmine<sup>7</sup> Krause, Johann 'John'<sup>6</sup> Krause Sr., Gggf<sup>5</sup> Krause, Frank Edward Ernest<sup>8</sup>, Frank Henry, Joseph J., John). She married **LIVING TOMLINSON** (son of Roy James Tomlinson and Mary Spelevoy).
- Living Tomlinson and Living Lorenz had the following children:
- 389. i. LIVING TOMLINSON (daughter of Living Tomlinson and Living Lorenz). She married LIVING KILLMER.
  - 390. ii. LIVING TOMLINSON (daughter of Living Tomlinson and Living Lorenz). She married LIVING SICKLER (son of ? Sickler and ? Dufour).
  - 391. iii. LIVING TOMLINSON (daughter of Living Tomlinson and Living Lorenz). She married LIVING ESQUIBEL (son of Ray Esquibel and ? Vassar).
  - 392. iv. LIVING TOMLINSON (son of Living Tomlinson and Living Lorenz). He married LIVING BINDE (daughter of Leif Johannes Binde and ? Haugeneau).
177. **LILA GAY<sup>9</sup> LORENZ** (Edward Fred Carl<sup>8</sup>, Hulda Wilhelmine<sup>7</sup> Krause, Johann 'John'<sup>6</sup> Krause Sr., Gggf<sup>5</sup> Krause, Edward Fred Carl<sup>8</sup>, Frank Henry, Joseph J., John) was born between 1938-1939. She died on Dead. She married **LIVING STRIEFEL**.



---

### Generation 5 (cont.)

Living Striefel and Lila Gay Lorenz had the following children:

- 393. i. LIVING STRIEFEL (son of Living Striefel and Lila Gay Lorenz).
  - 394. ii. LIVING STRIEFEL (son of Living Striefel and Lila Gay Lorenz).
  - 395. iii. LIVING STRIEFEL (daughter of Living Striefel and Lila Gay Lorenz).
182. **JAMES<sup>9</sup> LORENZ** (Walter Henry<sup>8</sup>, Hulda Wilhelmine<sup>7</sup> Krause, Johann 'John'<sup>6</sup> Krause Sr., Gggf<sup>5</sup> Krause, Walter Henry<sup>8</sup>, Frank Henry, Joseph J., John). He married ? ???.

James Lorenz and ? ??? had the following children:

- 396. i. SHERI<sup>10</sup> LORENZ (daughter of James Lorenz and ? ???).
  - 397. ii. DUANE LORENZ (son of James Lorenz and ? ???).
  - 398. iii. MATTHEW LORENZ (son of James Lorenz and ? ???).
183. **LIVING RAWE** (Eva Martha<sup>8</sup> Lorenz, Hulda Wilhelmine<sup>7</sup> Krause, Johann 'John'<sup>6</sup> Krause Sr., Gggf<sup>5</sup> Krause, Carl Lester, George). She married **LIVING FOX** (son of Gaylord Wayne Fox and Ruth Stone).

Living Fox and Living Rawe had the following children:

- +399. i. LIVING FOX (daughter of Living Fox and Living Rawe). She married LIVING HURLIMAN (son of Living Hurliman and Living Zogg).
  - 400. ii. LIVING FOX (daughter of Living Fox and Living Rawe).
  - +401. iii. LIVING FOX (son of Living Fox and Living Rawe). He married LIVING DESWART.
184. **CARL LEROY<sup>9</sup> RAWE** (Eva Martha<sup>8</sup> Lorenz, Hulda Wilhelmine<sup>7</sup> Krause, Johann 'John'<sup>6</sup> Krause Sr., Gggf<sup>5</sup> Krause, Carl Lester, George) was born on 17 April 1942 in Tillamook, OR. He died on 27 June 2008 in Tillamook, OR. He married (1) **BRENDA REAVIS**. He married (2) **PATTI A. PETERSON** on 13 August 2003 in Honolulu.

Notes for Carl LeRoy Rawe:

Obit:

Carl L. "Sonny" Rawe Jr.

April 17, 1942-June 27, 2008

Gresham resident Carl L. "Sonny" Rawe Jr., 66, died Friday, June 27, at his home from a sudden illness.

A private funeral service will be held Thursday, July 3, at Redeemer Lutheran Church in Tillamook. Interment will follow at Sunset Heights Memorial Gardens.

Carl was born April 17, 1942, in Tillamook to Carl and Eva (Lorenz) Rawe. He grew up on the family dairy farm on Bewley Creek Road, where he would return every summer during college breaks to work.

Carl graduated from Tillamook High School. He then served in the Army National Guard and attended Pacific University, where he received his bachelor's degree in sociology and psychology. He went on to Central Washington University and received his master's degree in school psychology and counseling.

He was previously married. On Aug. 13, 2003, he married Patti A. Peterson in Honolulu.

Carl began his career at Mt. Hood Community College, where he taught and later became dean of financial aid. Education was very important to Carl, and in 1997 he accomplished a personal goal by earning his doctorate in community college education from Oregon State University. He rewarded himself by buying a Harley-Davidson motorcycle.

After his retirement, Carl became involved in Cowboy Action Shooting. He enjoyed traveling to

---

---

### Generation 5 (cont.)

shooting events with his friends, and he was a member of the Single Action Shooters Society. He was known as Sonny to his family and friends.

Survivors include his daughters, Tia Rawe of Sandy, Lindsay DeLaRosa of Gresham and Wendy Lafady of Walnut Creek, Calif., son, Robert Lafady of Milwaukie; sister, Diann Fox of Tillamook; nieces, Angela Fox of Tillamook and Shelley Fox-Hurliman of Tillamook; nephew, Michael Fox of Tillamook; and one granddaughter.

Waud's Funeral Home is handling arrangements.

Carl LeRoy Rawe and Brenda Reavis had the following child:

402. i. LIVING RAWE (daughter of Carl LeRoy Rawe and Brenda Reavis).

189. **JEAN LILLIAN<sup>9</sup> SLAWSON** (Elsie Florence<sup>8</sup> Natzel, Theodore Albert<sup>7</sup> Natzel, Wilhelmina 'Minnie'<sup>6</sup> Krause, Gggf<sup>5</sup> Krause, Harry H., William) was born on 14 June 1922 in Chicago, Cook Co., IL. She died on 15 May 1977 in Chicago, Cook Co., IL. She married **EDWARD JOSEPH LEBEDA**. He was born on 08 October 1915 in Chicago, Cook Co., IL<sup>12</sup>. He died on 26 December 1985.

Notes for Jean Lillian Slawson:

Ref:

1930 Census, Chicago(Ward# 38), Cook Co., IL, ED#2747, p2A/135A, family#34, frame 3/29, taken 2 Apr 1930, age 8, name: Lillian A.

1940 Census, Chicago(Ward#34), Cook Co., IL, ED#103-2159, p7A/31094A, family#142, frame 13/35, taken 11 Apr 1940, age 17, name: Lillian

Name: Jean Slawson

Birth Date: 14 Jun 1922

Birth Place: Chicago, Cook, Illinois

Gender: Female

Father: Harry Slawson

Mother: Elsie Natzel

FHL Film Number: 1378962

Edward Joseph Lebeda and Jean Lillian Slawson had the following children:

403. i. LIVING LEBEDA (daughter of Edward Joseph Lebeda and Jean Lillian Slawson). She married RICHARD JOSEPH SKONIECZNYI (son of Living Skoniecznyi and Living ???). He was born on 29 December 1949 in Wegberg, Erke, Germany<sup>28</sup>. He died on 10 September 1995 in IL.

404. ii. CHARMAINE LEBEDA (daughter of Edward Joseph Lebeda and Jean Lillian Slawson).

190. **RUSSELL LEROY<sup>9</sup> SLAWSON** (Elsie Florence<sup>8</sup> Natzel, Theodore Albert<sup>7</sup> Natzel, Wilhelmina 'Minnie'<sup>6</sup> Krause, Gggf<sup>5</sup> Krause, Harry H., William) was born on 08 January 1924 in Chicago, Cook Co., IL. He died on 15 April 1999 in Chicago, Cook Co., IL. He married Gladys Juanita Hall on 03 September 1944 in Tyronza, Poinsett, Arkansas, USA<sup>41</sup>. She was born on 01 September 1926 in Chicago, Cook Co., IL<sup>41</sup>. She died on 12 December 1955 in Chicago, Cook Co., IL.

Notes for Russell Leroy Slawson:

Ref:

1930 Census, Chicago(Ward# 38), Cook Co., IL, ED#2747, p2A/135A, family#34, frame 3/29, taken 2 Apr 1930, age 6

1940 Census, Chicago(Ward#34), Cook Co., IL, ED#103-2159, p7A/31094A, family#142, frame 13/35, taken 11 Apr 1940, age 16

Russell Leroy Slawson and Gladys Juanita Hall had the following child:

405. i. JAMES EDWARD<sup>10</sup> SLAWSON (son of Russell Leroy Slawson and Gladys Juanita Hall) was born on 23 December 1947 in Chicago, Cook Co., IL<sup>18</sup>. He died on 10 June 1978 in Orlando, Orange Co., FL.

---

## Generation 5 (cont.)

---

Notes for James Edward Slawson:

Florida Death Index, 1877-1998

Name: James E Slawson

Race: White

Age at Death: 30

Birth Date: 23 Dec 1947

Death Date: 10 Jun 1978

Death Place: Orange, Florida, United States

192. **VIOLA VIVIAN<sup>9</sup> SLAWSON** (Elsie Florence<sup>8</sup> Natzel, Theodore Albert<sup>7</sup> Natzel, Wilhelmina 'Minnie'<sup>6</sup> Krause, Gggf<sup>5</sup> Krause, Harry H., William) was born on 19 March 1929 in Chicago, Cook Co., IL. She died on 24 March 2001 in Round Lake, Lake, Illinois, USA. She married **EDWARD RICHLINSKI**.

Notes for Viola Vivian Slawson:

Ref:

1930 Census, Chicago(Ward# 38), Cook Co., IL, ED#2747, p2A/135A, family#34, frame 3/29, taken 2 Apr 1930, age 1 1/12

1940 Census, Chicago(Ward#34), Cook Co., IL, ED#103-2159, p7A/31094A, family#142, frame 13/35, taken 11 Apr 1940, age 11

Edward Richlinski and Viola Vivian Slawson had the following child:

- +406. i. **KAREN LYNN<sup>10</sup> RICHLINSKI** (daughter of Edward Richlinski and Viola Vivian Slawson) was born on 04 September 1951 in Chicago, Cook Co., IL. She died on 21 February 2011 in Ashland, Boyd, Kentucky, USA. She married **LIVING JOHNSON** (son of Charlie Johnson and Edith Martin).

194. **THEODORE ROBERT<sup>9</sup> TYRE** (Clara Stella<sup>8</sup> Natzel, Theodore Albert<sup>7</sup> Natzel, Wilhelmina 'Minnie'<sup>6</sup> Krause, Gggf<sup>5</sup> Krause, Leroy Peter, Paris Sylvester, John) was born on 15 March 1927 in Chicago, Cook Co., IL<sup>18, 34</sup>. He died on 01 August 1994 in Hobart, Lake Co., IN<sup>18</sup>. He married (1) **MONA LEE KERNS** (daughter of Clifford Dean Kerns and Marietta Ruth Wicks) date Unknown in ?. She was born on 28 November 1931 in Kouts, Porter Co., IN<sup>34</sup>. He married (2) ? ???.

Notes for Theodore Robert Tyre:

Ref:

1930 Census, Chicago(Ward#34), Cook Co., IL, ED#1158, p19A/106A, family#404, frame 34/39, taken 14 Apr 1930, age 3 0/12

1940 Census, Chicago(Ward#34), Cook Co., IL, ED#103-2158, p12B/31078, family#331, frame 24/42, taken 16 Apr 1940, age 12

Theodore R. Tyre

Theodore R. Tyre, 67, of Hobart, passed away Monday, August 1, 1994. He is survived by his wife, Mona L.; one son, George (Michiko) Brazell of Valparaiso; three daughters, Yvonne (Wayne) Parduhn of Mundelein, Illinois, Annette (Ron) Allen and Stephanie Cox, both of Hobart; ten grandchildren; one great grandchild; mother, Clara Tyer of Wheatfield, Indiana; one sister, Diana (Fred) Woolbrandt of Gadsden, Alabama.

Funeral services Wednesday, August 3, 1994, 11 a.m at Trinity Lutheran Church, 900 Luther Drive, Hobart, IN., Rev. Gary Nagy officiating. Entombment at Calumet Park Mausoleum, Merrillville. Visitation Tuesday 2 to 5 and 7 to 9 p.m. at the Rees Funeral Home, 600 West Old Ridge Road, Hobart. 219-942-2109.

Mr. Tyre was a Hobart resident for 34 years; a retired consultant with Inland Steel with 39 years of service; member of Trinity Lutheran Church and a U.S. Navy veteran of World War II.

Theodore Robert Tyre and Mona Lee Kerns had the following children:

407. i. **YVONNE<sup>10</sup> TYRE** (daughter of Theodore Robert Tyre and Mona Lee Kerns) was born date Unknown in ?. She married **WAYNE PARDUHN**.
- +408. ii. **ANNETTE TYRE** (daughter of Theodore Robert Tyre and Mona Lee Kerns) was born

---

### Generation 5 (cont.)

date Unknown in ?. She married Ronald 'Ron' Allen date Unknown in ?. He was born date Unknown in ?.

- +409. iii. LIVING TYRE (daughter of Theodore Robert Tyre and Mona Lee Kerns). She married (1) DONALD MICHAEL COX. He was born on 17 October 1949 in IL<sup>34</sup>. He died on 08 April 2012 in Porter Co., IN. She married (2) LIVING MERGL.

Theodore Robert Tyre and ? ??? had the following child:

410. i. GEORGE<sup>10</sup> BRAZELL (son of Theodore Robert Tyre and ? ???) was born date Unknown in ?. He married MICHIKO ???.

197. **LIVING NATZEL** (Albert Theodore<sup>8</sup>, Theodore Albert<sup>7</sup>, Wilhelmina 'Minnie'<sup>6</sup> Krause, Gggf<sup>5</sup> Krause, Albert Theodore<sup>8</sup>, Theodore Albert<sup>7</sup>, Charles 'Karl', ?). She married **LIVING SMOCZYNSKI**.

Living Smoczynski and Living Natzel had the following child:

411. i. LIVING SMOCZYNSKI (son of Living Smoczynski and Living Natzel).

200. **BARBARA MARIE<sup>9</sup> SEIDELMANN** (August John<sup>8</sup>, Louise Elizabeth<sup>7</sup> Natzel, Wilhelmina 'Minnie'<sup>6</sup> Krause, Gggf<sup>5</sup> Krause, August John<sup>8</sup>, August, John) was born on 17 November 1937 in Chicago, Cook Co., IL. She died on 16 March 1997 in Maywood, Cook Co., IL. She married Frank Dominick Varallo Jr. on 12 July 1958 in Cook Co., IL. He was born on 11 January 1930 in Chicago, Cook Co., IL. He died on 24 February 1971 in Westchester, Cook Co., IL.

Frank Dominick Varallo Jr. and Barbara Marie Seidelmann had the following children:

412. i. LORI<sup>10</sup> VARALLO (daughter of Frank Dominick Varallo Jr. and Barbara Marie Seidelmann).

- +413. ii. JAY SCOTT VARALLO (son of Frank Dominick Varallo Jr. and Barbara Marie Seidelmann) was born on 09 August 1963 in Chicago, Cook Co., IL. He died on 21 May 2014 in Little River, Montgomery, North Carolina, USA. He married SHEILA BARBOUR.

201. **JAMES H.<sup>9</sup> SEIDELMANN** (August John<sup>8</sup>, Louise Elizabeth<sup>7</sup> Natzel, Wilhelmina 'Minnie'<sup>6</sup> Krause, Gggf<sup>5</sup> Krause, August John<sup>8</sup>, August, John). He married **ANTOINETTE ???**.

James H. Seidelmann and Antoinette ??? had the following children:

- +414. i. JENNIFER ANNE<sup>10</sup> SEIDELMANN (daughter of James H. Seidelmann and Antoinette ???) was born on 21 March 1973 in Chicago, Cook Co., IL. She died on 30 August 2009 in Raleigh, Wake Co., NC. She married LIVING ANDREWS (son of Joseph Andrews and Mary ???).

- +415. ii. ELIZABETH SEIDELMANN (daughter of James H. Seidelmann and Antoinette ???). She married JACK BATAOEL.

204. **LIVING ELSE** (Esther L.<sup>8</sup> Cousins, Augusta M.<sup>7</sup> Krause, Herman Martin<sup>6</sup> Krause Sr., Gggf<sup>5</sup> Krause, Alvin Reinhard, Herman A.). He married **RUBY ARLENE KRAUSE**. She was born on 23 January 1924. She died on 06 June 2008 in Appleton, Outagamie Co., WI.

Living Else and Ruby Arlene Krause had the following children:

416. i. LIVING ELSE (daughter of Living Else and Ruby Arlene Krause). She married LIVING DEGROOT.

417. ii. LIVING ELSE (daughter of Living Else and Ruby Arlene Krause). She married LIVING LINDHOLM.

418. iii. LIVING ELSE (daughter of Living Else and Ruby Arlene Krause). She married PAUL MCKINNEY.

207. **MAVIS EDITH<sup>9</sup> BEATTIE** (Edith Mabel<sup>8</sup> Dexter, Caroline 'Lena'<sup>7</sup> Krause, Herman Martin<sup>6</sup> Krause Sr., Gggf<sup>5</sup> Krause, George Rufus Sr.) was born on 14 October 1925 in New London, Waupaca Co., WI. She died on 25 August 1981 in Appleton, WI. She married Ralph Coe (son of ?-4 Coe) on 09 December 1944. He was born on 14 January 1920. He died on 23 January 2000.

Ralph Coe and Mavis Edith Beattie had the following children:

- +419. i. LIVING COE (son of Ralph Coe and Mavis Edith Beattie). He married LIVING ???.

---

### Generation 5 (cont.)

- +420. ii. LIVING COE (daughter of Ralph Coe and Mavis Edith Beattie). She married LIVING BLINK.
  - +421. iii. LIVING COE (daughter of Ralph Coe and Mavis Edith Beattie). She married LIVING SCHULKE.
  - +422. iv. LIVING COE (son of Ralph Coe and Mavis Edith Beattie). He married LIVING ???.
  - +423. v. LIVING COE (son of Ralph Coe and Mavis Edith Beattie). He married LIVING ???.
  - +424. vi. LIVING COE (daughter of Ralph Coe and Mavis Edith Beattie). She married LIVING ORT.
  - +425. vii. LIVING COE (son of Ralph Coe and Mavis Edith Beattie). He married LIVING ???.
208. **DORIS<sup>9</sup> BEATTIE** (Edith Mabel<sup>8</sup> Dexter, Caroline 'Lena'<sup>7</sup> Krause, Herman Martin<sup>6</sup> Krause Sr., Gggf<sup>5</sup> Krause, George Rufus Sr.) was born on 30 June 1927 in New London, Waupaca Co., WI. She died on 17 February 1996 in Appleton, WI. She married Lawrence Albert Lutz on 19 August 1944. He was born on 03 September 1923 in Liberty Twp., ? Co., WI. He died on 14 February 1981 in New London, Waupaca Co., WI.
- Lawrence Albert Lutz and Doris Beattie had the following children:
- 426. i. GARY DAVID<sup>10</sup> LUTZ (son of Lawrence Albert Lutz and Doris Beattie) was born on 03 November 1944 in New London, Waupaca Co., WI. He died on 21 October 1967 in Shiocton, WI.
  - +427. ii. LIVING LUTZ (daughter of Lawrence Albert Lutz and Doris Beattie). She married LIVING HENRY.
  - +428. iii. LIVING LUTZ (daughter of Lawrence Albert Lutz and Doris Beattie). She married LIVING GUERIN.
  - 429. iv. LIVING LUTZ (daughter of Lawrence Albert Lutz and Doris Beattie).
  - +430. v. LIVING LUTZ (daughter of Lawrence Albert Lutz and Doris Beattie). She married LIVING LEMONT.
209. **GEORGE<sup>9</sup> BEATTIE JR.** (Edith Mabel<sup>8</sup> Dexter, Caroline 'Lena'<sup>7</sup> Krause, Herman Martin<sup>6</sup> Krause Sr., Gggf<sup>5</sup> Krause, George Rufus Sr.) was born on 07 March 1929 in New London, Waupaca Co., WI. He died on 16 March 1997. He married Beatrice A. Lang on 28 May 1960 in Clarks Mills. She was born on 03 December 1932 in Valders area. She died on 28 May 1992 in Green Bay.
- George Beattie Jr. and Beatrice A. Lang had the following children:
- +431. i. LIVING BEATTIE (son of George Beattie Jr. and Beatrice A. Lang). He married LIVING ???.
  - +432. ii. LIVING BEATTIE (daughter of George Beattie Jr. and Beatrice A. Lang). She married LIVING WETTENGAL.
  - 433. iii. STEVEN DOUGLAS BEATTIE (son of George Beattie Jr. and Beatrice A. Lang) was born on 19 July 1965 in Manitowoc, WI. He died on 16 April 1986 in Fort Leonard, MO.
210. **JOHN WILLIAM<sup>9</sup> BEATTIE SR.** (Edith Mabel<sup>8</sup> Dexter, Caroline 'Lena'<sup>7</sup> Krause, Herman Martin<sup>6</sup> Krause Sr., Gggf<sup>5</sup> Krause, George Rufus Sr.) was born on 10 December 1930 in New London, Waupaca Co., WI. He died on 17 March 1991 in Appleton, WI. He married **LIVING BURTON**.
- John William Beattie Sr. and Living Burton had the following children:
- +434. i. JOHN WILLIAM<sup>10</sup> BEATTIE JR. (son of John William Beattie Sr. and Living Burton) was born on 20 October 1950. He died on 03 June 1984. He married LIVING ???.
  - +435. ii. LIVING BEATTIE (daughter of John William Beattie Sr. and Living Burton). She married LIVING BROCKWAY.
  - 436. iii. LIVING BEATTIE (daughter of John William Beattie Sr. and Living Burton).
  - +437. iv. LIVING BEATTIE (daughter of John William Beattie Sr. and Living Burton). She married LIVING SKINKIS.
  - +438. v. LIVING BEATTIE (daughter of John William Beattie Sr. and Living Burton). She
-

---

### Generation 5 (cont.)

- married LIVING KOVACH.
- +439. vi. LIVING BEATTIE (son of John William Beattie Sr. and Living Burton). He married (1) LIVING ????. He married (2) LIVING ???.
  - +440. vii. LIVING BEATTIE (son of John William Beattie Sr. and Living Burton). He married LIVING DE BRUE.
  - +441. viii. LIVING BEATTIE (daughter of John William Beattie Sr. and Living Burton). She married LIVING ???.
  - +442. ix. LIVING BEATTIE (daughter of John William Beattie Sr. and Living Burton). She married LIVING SKINKIS.
211. **LIVING BEATTIE** (Edith Mabel<sup>8</sup> Dexter, Caroline 'Lena'<sup>7</sup> Krause, Herman Martin<sup>6</sup> Krause Sr., Gggf<sup>5</sup> Krause, George Rufus Sr.). He married **LIVING HOULE**.  
Living Beattie and Living Houle had the following children:
- +443. i. LIVING BEATTIE (daughter of Living Beattie and Living Houle). She married LIVING KURTZ.
  - +444. ii. LIVING BEATTIE (son of Living Beattie and Living Houle). He married (1) LIVING ????. He married (2) LIVING ???.
  - +445. iii. LIVING BEATTIE (son of Living Beattie and Living Houle). He married LIVING OLSON.
  - +446. iv. LIVING BEATTIE (daughter of Living Beattie and Living Houle). She married LIVING HOPPA.
  - +447. v. LIVING BEATTIE (son of Living Beattie and Living Houle). He married LIVING ???.
  - 448. vi. LIVING BEATTIE (son of Living Beattie and Living Houle).
  - +449. vii. LIVING BEATTIE (daughter of Living Beattie and Living Houle). She married LIVING THIBODEAUX.
  - +450. viii. LIVING BEATTIE (son of Living Beattie and Living Houle). He married LIVING ???.
  - +451. ix. NANCY JANE BEATTIE (daughter of Living Beattie and Living Houle) was born on 15 December 1970 in Appleton, WI. She died on 19 July 1992 in Oshkosh, WI. She married RANDY TRUTTSCHHELL.
212. **SARAH<sup>9</sup> BEATTIE** (Edith Mabel<sup>8</sup> Dexter, Caroline 'Lena'<sup>7</sup> Krause, Herman Martin<sup>6</sup> Krause Sr., Gggf<sup>5</sup> Krause, George Rufus Sr.) was born on 05 January 1939 in New London, Outagamie Co., WI. She died on 15 September 2008 in Appleton, Calumet, Wisconsin, USA. She married **LIVING ARNDT** (son of Living Arndt and Living Schwalenberg).  
Living Arndt and Sarah Beattie had the following children:
- 452. i. LIVING ARNDT (daughter of Living Arndt and Sarah Beattie). She married LIVING MOORE.
  - +453. ii. LIVING ARNDT (son of Living Arndt and Sarah Beattie). He married (1) LIVING ????. He married (2) LIVING ???.
  - +454. iii. LIVING ARNDT (son of Living Arndt and Sarah Beattie). He married LIVING ???.
  - 455. iv. LIVING ARNDT (daughter of Living Arndt and Sarah Beattie).
213. **LIVING BEATTIE** (Edith Mabel<sup>8</sup> Dexter, Caroline 'Lena'<sup>7</sup> Krause, Herman Martin<sup>6</sup> Krause Sr., Gggf<sup>5</sup> Krause, George Rufus Sr.). She married **NORBERT KUCHENBECKER**. He was born on 06 August 1941. He died on 09 January 1997.  
Norbert Kuchenbecker and Living Beattie had the following children:
- +456. i. LIVING KUCHENBECKER (son of Norbert Kuchenbecker and Living Beattie). He married LIVING ???.
  - +457. ii. LIVING KUCHENBECKER (son of Norbert Kuchenbecker and Living Beattie). He married LIVING ???.
  - +458. iii. LIVING KUCHENBECKER (daughter of Norbert Kuchenbecker and Living Beattie). She married LIVING WACHAL.
-

---

### Generation 5 (cont.)

- +459. iv. LIVING KUCHENBECKER (son of Norbert Kuchenbecker and Living Beattie). He married LIVING ???.
- +460. v. LIVING KUCHENBECKER (daughter of Norbert Kuchenbecker and Living Beattie). She married LIVING ???.
214. **DAVID MICHAEL<sup>9</sup> BEATTIE** (Edith Mabel<sup>8</sup> Dexter, Caroline 'Lena'<sup>7</sup> Krause, Herman Martin<sup>6</sup> Krause Sr., Gggf<sup>5</sup> Krause, George Rufus Sr.) was born on 23 April 1944 in New London, Waupaca Co., WI. He died on 30 July 1998 in Appleton, WI. He married **LIVING KRUEGER**.  
David Michael Beattie and Living Krueger had the following children:
461. i. JEFFREY DAVID<sup>10</sup> BEATTIE (son of David Michael Beattie and Living Krueger) was born on 12 March 1966 in Chilton, WI. He died on 23 June 1989 in Hilbert, WI.
- +462. ii. LIVING BEATTIE (son of David Michael Beattie and Living Krueger). He married LIVING BRUSO.
463. iii. LIVING BEATTIE (daughter of David Michael Beattie and Living Krueger).
464. iv. LIVING BEATTIE (daughter of David Michael Beattie and Living Krueger). She married LIVING KUFAHL.
215. **LIVING BEATTIE** (Edith Mabel<sup>8</sup> Dexter, Caroline 'Lena'<sup>7</sup> Krause, Herman Martin<sup>6</sup> Krause Sr., Gggf<sup>5</sup> Krause, George Rufus Sr.). He married **LIVING ???**.  
Living Beattie and Living ??? had the following children:
465. i. LIVING BEATTIE (son of Living Beattie and Living ???). He married LIVING RHODES.
- +466. ii. LIVING BEATTIE (daughter of Living Beattie and Living ???). She married (1) LIVING ??? She married (2) LIVING PETERS.
467. iii. SHANNON BEATTIE (daughter of Living Beattie and Living ???) was born on 19 October 1976 in Milwaukee, WI. She died on 12 March 1998 in Oshkosh, WI.
217. **LIVING WUSKE** (Evelyn<sup>8</sup> Dexter, Caroline 'Lena'<sup>7</sup> Krause, Herman Martin<sup>6</sup> Krause Sr., Gggf<sup>5</sup> Krause, William Fredrich, Johann). She married **LIVING WASTRACK**.  
Living Wastrack and Living Wuske had the following children:
468. i. LIVING WASTRACK (daughter of Living Wastrack and Living Wuske).
469. ii. LIVING WASTRACK (daughter of Living Wastrack and Living Wuske).
218. **LIVING WUSKE** (Evelyn<sup>8</sup> Dexter, Caroline 'Lena'<sup>7</sup> Krause, Herman Martin<sup>6</sup> Krause Sr., Gggf<sup>5</sup> Krause, William Fredrich, Johann). She married **LIVING BOESE** (son of Frank Boese and Marguerite Nehls).  
Living Boese and Living Wuske had the following children:
- +470. i. LIVING BOESE (daughter of Living Boese and Living Wuske). She married LIVING JACH.
- +471. ii. LIVING BOESE (daughter of Living Boese and Living Wuske). She married LIVING PIECHOWSKI.
472. iii. LIVING BOESE (daughter of Living Boese and Living Wuske). She married LIVING DANIELS.
- +473. iv. LIVING BOESE (daughter of Living Boese and Living Wuske). She married LIVING WIESE.
221. **LIVING BEATTIE** (Bessie A.<sup>8</sup> Dexter, Caroline 'Lena'<sup>7</sup> Krause, Herman Martin<sup>6</sup> Krause Sr., Gggf<sup>5</sup> Krause, Marvin). She married **GEORGE LUTZ**. He was born on 01 May 1920. He died on 12 April 1982.  
George Lutz and Living Beattie had the following children:
- +474. i. LIVING LUTZ (daughter of George Lutz and Living Beattie). She married LIVING VOLKMAN.
475. ii. ROBERT LUTZ (son of George Lutz and Living Beattie) was born on 08 October 1949. He died on 08 October 1949.
222. **LIVING BEATTIE** (Bessie A.<sup>8</sup> Dexter, Caroline 'Lena'<sup>7</sup> Krause, Herman Martin<sup>6</sup> Krause Sr., Gggf<sup>5</sup>
-

---

### Generation 5 (cont.)

Krause, Marvin). She married **LIVING ROBERTS**.

Living Roberts and Living Beattie had the following children:

- +476. i. LIVING ROBERTS (son of Living Roberts and Living Beattie). He married LIVING ???.
- +477. ii. LIVING ROBERTS (daughter of Living Roberts and Living Beattie). She married LIVING ZIETLOW.
- +478. iii. LIVING ROBERTS (daughter of Living Roberts and Living Beattie). She married LIVING THAYER.
- +479. iv. LIVING ROBERTS (daughter of Living Roberts and Living Beattie). She married LIVING BEHM.

223. **MARVELLA<sup>9</sup> BEATTIE** (Bessie A.<sup>8</sup> Dexter, Caroline 'Lena'<sup>7</sup> Krause, Herman Martin<sup>6</sup> Krause Sr., Gggf<sup>5</sup> Krause, Marvin) was born on 06 June 1931. She died on 20 November 1999. She married Donald Van Straten on 15 February 1950.

Donald Van Straten and Marvella Beattie had the following children:

- +480. i. LIVING VAN STRATEN (son of Donald Van Straten and Marvella Beattie). He married LIVING ???.
- +481. ii. LIVING VAN STRATEN (daughter of Donald Van Straten and Marvella Beattie). She married LIVING HINTZKE SR..
- 482. iii. CYNTHIA MARIE VAN STRATEN (daughter of Donald Van Straten and Marvella Beattie) was born in April 1953. She died on 14 August 1953.
- +483. iv. LIVING VAN STRATEN (daughter of Donald Van Straten and Marvella Beattie). She married LIVING KEESLER.
- +484. v. LIVING VAN STRATEN (daughter of Donald Van Straten and Marvella Beattie). She married (1) LIVING JONES. She married (2) LIVING SULLIVAN.
- +485. vi. LIVING VAN STRATEN (son of Donald Van Straten and Marvella Beattie). He married LIVING ???.

224. **LIVING BEATTIE** (Bessie A.<sup>8</sup> Dexter, Caroline 'Lena'<sup>7</sup> Krause, Herman Martin<sup>6</sup> Krause Sr., Gggf<sup>5</sup> Krause, Marvin). He married **LIVING ???**.

Living Beattie and Living ??? had the following children:

- +486. i. LIVING BEATTIE (daughter of Living Beattie and Living ???). She married LIVING GABLE.
- +487. ii. LIVING BEATTIE (daughter of Living Beattie and Living ???).
- +488. iii. LIVING BEATTIE (son of Living Beattie and Living ???). He married LIVING ???.
- +489. iv. LIVING BEATTIE (daughter of Living Beattie and Living ???). She married LIVING LEKFIELD.
- +490. v. LIVING BEATTIE (son of Living Beattie and Living ???). He married LIVING ???.

229. **LEONARD<sup>9</sup> CLOSE** (Martha Meta<sup>8</sup> Weber, Bertha Alberine<sup>7</sup> Krause, Herman Martin<sup>6</sup> Krause Sr., Gggf<sup>5</sup> Krause, William McKinly, Jeremiah) was born on 04 November 1933 in WI. He married Joyce Beyer date Unknown in ?. She was born on 09 November 1936 in WI.

Leonard Close and Joyce Beyer had the following children:

- 491. i. LIVING CLOSE (daughter of Leonard Close and Joyce Beyer). She married LIVING NEUMANN.
- 492. ii. LIVING CLOSE (son of Leonard Close and Joyce Beyer). He married LIVING PETERSON.

230. **ANGELINA<sup>9</sup> CLOSE** (Martha Meta<sup>8</sup> Weber, Bertha Alberine<sup>7</sup> Krause, Herman Martin<sup>6</sup> Krause Sr., Gggf<sup>5</sup> Krause, William McKinly, Jeremiah) was born about 1935 in WI. She married Dennis D. Bedor date Unknown in ?. He was born on 12 August 1933 in Shiocton, WI. He died on 18 June 2013.

Notes for Dennis D. Bedor:



---

### Generation 5 (cont.)

U.S., Social Security Death Index, 1935-Current about Dennis D Bedor

Name: Dennis D Bedor

Born: 12 Aug 1933

Died: 18 Jun 2013

State (Year) SSN issued: Wisconsin (Before 1951)

United States Obituary Collection about Dennis Bedor

Name of Deceased: Dennis Bedor

Gender: Male

Age at Death: 79

Death Date: 18 Jun 2013

Obituary Date: 20 Jun 2013

Newspaper Location: Appleton, Wisconsin, USA

Birth Date: 12 Aug 1933

Birth Place: Shiocton, Wisconsin, USA

Residence (at time of death): Larsen, Wisconsin, USA

Spouse's Name: Angeline Angie Close

Parents' Names: Ralph Bedor

[Ruth Durent Bedor]

Children's Names: Heather (Curt) Eastman, Larsen

Siblings' Names: Carole (Richard) Funnell, Neenah, and Darla Close, Waukesha; Eunice

Davidson, Alta Knipple and Anita Spaulding; James K. Bedor, King; Leonard (Joyce) Close,

Pembine; Robert, Jerry and Sonny

Dennis D. Bedor and Angelina Close had the following children:

493. i. LIVING BEDOR (son of Dennis D. Bedor and Angelina Close). He married LIVING GENKE.
494. ii. LIVING BEDOR (son of Dennis D. Bedor and Angelina Close).
495. iii. LIVING BEDOR (daughter of Dennis D. Bedor and Angelina Close). She married LIVING EASTMAN.
496. iv. CHRISTOPHER BEDOR (son of Dennis D. Bedor and Angelina Close) was born date Unknown in WI.

232. **HAROLD WILLIAM<sup>9</sup> CLOSE SR.** (Martha Meta<sup>8</sup> Weber, Bertha Alberine<sup>7</sup> Krause, Herman Martin<sup>6</sup> Krause Sr., Gggf<sup>5</sup> Krause, William McKinly, Jeremiah) was born in 1923 in New London, Outagamie Co., WI. He died on 17 January 1988 in Brown Co., WI. He married **BETTY JANE MARTIN**. She died on 09 September 2020.

Harold William Close Sr. and Betty Jane Martin had the following child:

- +497. i. DAU<sup>10</sup> CLOSE (daughter of Harold William Close Sr. and Betty Jane Martin). She married SON RABIDEAU.

235. **ROBERT EARL<sup>9</sup> SCHMITZ** (Clara Ida<sup>8</sup> Weber, Bertha Alberine<sup>7</sup> Krause, Herman Martin<sup>6</sup> Krause Sr., Gggf<sup>5</sup> Krause, Herbert, John M.). He married **GLADYS MINNIE RIEDLE**.

Robert Earl Schmitz and Gladys Minnie Riedle had the following children:

498. i. LINDA<sup>10</sup> SCHMITZ (daughter of Robert Earl Schmitz and Gladys Minnie Riedle).
499. ii. VALERIE SCHMITZ (daughter of Robert Earl Schmitz and Gladys Minnie Riedle).
500. iii. VIRGINIA SCHMITZ (daughter of Robert Earl Schmitz and Gladys Minnie Riedle).
501. iv. CONNIE SCHMITZ (daughter of Robert Earl Schmitz and Gladys Minnie Riedle).

237. **ADELIN E.<sup>9</sup> SCHMITZ** (Helen Clara<sup>8</sup> Weber, Bertha Alberine<sup>7</sup> Krause, Herman Martin<sup>6</sup> Krause Sr., Gggf<sup>5</sup> Krause, Raymond Carl, John M.) was born on 11 October 1928 in Appleton, Outagamie Co., WI<sup>1</sup>. She died on 04 February 2011 in Appleton, Outagamie Co., WI<sup>1</sup>. She married Delmar A. Neiland (son of Walter Herman Neiland and Amanda Tews) in January 1951. He was born on 15 June 1926 in Appleton, Outagamie Co., WI<sup>1</sup>. He died on 04 August 2009 in Appleton, Outagamie Co., WI<sup>1</sup>.

---

### Generation 5 (cont.)

Delmar A. Neiland and Adeline E. Schmitz had the following children:

- 502. i. LARRY<sup>10</sup> NEILAND (son of Delmar A. Neiland and Adeline E. Schmitz).
- 503. ii. BONNY JEAN NEILAND (daughter of Delmar A. Neiland and Adeline E. Schmitz).
- 504. iii. RUSSELL NEILAND (son of Delmar A. Neiland and Adeline E. Schmitz).
- 505. iv. DAU NEILAND (daughter of Delmar A. Neiland and Adeline E. Schmitz).
- 506. v. SUSAN NEILAND (daughter of Delmar A. Neiland and Adeline E. Schmitz).
- 507. vi. BARBARA NEILAND (daughter of Delmar A. Neiland and Adeline E. Schmitz).

239. **MURIEL GLADYS<sup>9</sup> SCHMITZ** (Helen Clara<sup>8</sup> Weber, Bertha Alberine<sup>7</sup> Krause, Herman Martin<sup>6</sup> Krause Sr., Gggf<sup>5</sup> Krause, Raymond Carl, John M.) was born on 10 March 1933 in Appleton, Outagamie Co., WI. She died on 08 June 2004 in Little Chute, Outagamie Co., WI. She married Theodore James Huiting Jr. (son of Theodore James Huiting Sr. and Sophia Hietpas) on 04 November 1953 in Appleton, Outagamie Co., WI. He was born on 06 January 1930 in Little Chute, Outagamie Co., WI. He died on 10 October 2004 in Oshkosh, WI.

Theodore James Huiting Jr. and Muriel Gladys Schmitz had the following children:

- +508. i. HELEN MARIE<sup>10</sup> HUITING (daughter of Theodore James Huiting Jr. and Muriel Gladys Schmitz) was born date Unknown in ?. She married JOSEPH GUERTIN.
- +509. ii. MARGARET ANN HUITING (daughter of Theodore James Huiting Jr. and Muriel Gladys Schmitz) was born date Unknown in ?. She married ? VESELY.
- 510. iii. JAMES THEODORE HUITING (son of Theodore James Huiting Jr. and Muriel Gladys Schmitz) was born date Unknown in ?. He married GAIL JUNE WILSON.
- 511. iv. KATHRYN MARY HUITING (daughter of Theodore James Huiting Jr. and Muriel Gladys Schmitz) was born date Unknown in ?. She married ? Eggers date Unknown in ?. He was born date Unknown in ?.
- 512. v. DIANE MARY HUITING (daughter of Theodore James Huiting Jr. and Muriel Gladys Schmitz) was born date Unknown in ?. She married BRIAN MAKI.
- 513. vi. CHARLES THEODORE HUITING (son of Theodore James Huiting Jr. and Muriel Gladys Schmitz) was born date Unknown in ?. He married ELIZABETH GESICKI.
- 514. vii. JASON THEODORE HUITING (son of Theodore James Huiting Jr. and Muriel Gladys Schmitz) was born date Unknown in ?. He married DEENA SCHWITTI.

240. **RICHARD E.<sup>9</sup> SCHMITZ** (Helen Clara<sup>8</sup> Weber, Bertha Alberine<sup>7</sup> Krause, Herman Martin<sup>6</sup> Krause Sr., Gggf<sup>5</sup> Krause, Raymond Carl, John M.) was born on 27 July 1935 in Appleton, Outagamie Co., WI. He died on 19 November 2004 in Appleton, Outagamie Co., WI. He married Marlene Ann Geise on 27 September 1958 in Gillett. She was born on 23 October 1938 in Appleton, Outagamie Co., WI<sup>1</sup>. She died on 23 January 2018 in Appleton, Outagamie Co., WI<sup>1</sup>.

Notes for Richard E. Schmitz:

Richard E. Schmitz, age 70, of Appleton, died Friday, November 19, 2004 at home surrounded by his family.

He was born July 27, 1934 to the late Raymond and Helen (Weber) Schmitz. In 1952 he entered the U.S. Navy and served in the Korean War. Richard married Marlene Giese on September 27, 1958. Together they owned and operated D & M Beverage Mart in Appleton for many years. The following ten years were spent at the Tee-Pee Campground in Minocqua, WI, where many good times and fond memories were made. Previous to owning the beverage mart, Richard worked for the Village of Kimberly. He enjoyed camping and fishing, but his greatest passion was deer hunting. His family always came first and together they enjoyed laughter and love. He was always an inspiration to his children and taught them to be successful at whatever they wanted to be.

Survivors include his wife, Marlene; three sons, Kurt (Peggy) of Aniwa, WI; Kenneth (Janice) and Kevin (Kathy), all of Darboy; a daughter, Karla (Curt) Sims of Appleton; eight grandchildren, Rachel, Renee, Roxanne, Robyn, Adam, Megan, Michael, and Kyle; a sister, Adeline (Delmar)

---

## Generation 5 (cont.)

Neiland; two brothers, Jerry (Gloria) Schmitz and Gordon (Lavone) Schmitz. He is further survived by brothers and sisters-in-law, Joyce (Herman Jr.) Wasmund, Herbert (Leah) Giese, and Joann Grady; and numerous nieces and nephews. He was preceded in death by a brother, Jimmy; a sister, Muriel (Ted) Huiting; brother-in-law, David Giese; and two sisters-in-law, Harriet (Melvin) Buchholz and Doris Parmentier.

A memorial service to honor Richard will be at 6 p.m. Tuesday, November 23, 2004 at Faith Lutheran Church, 601 E. Glendale St., with Pastor Dan Thews officiating. Visitation will be from 2 p.m. until the time of the service. Military honors will follow the service at the church. Richard will be laid to rest at Highland Memorial Park. The family wishes to extend a heartfelt thank you to the hospice nurse Mary, their "Guardian Angel", and to all hospice personnel and other caregivers that visited, including the wonderful volunteer, Ken.

Notes for Marlene Ann Geise:

Marlene Schmitz, age 79, of Appleton, passed away peacefully surrounded by her loving family on January 23, 2018. She was born on October 23, 1938, daughter of Herman and Erma Giese. She was baptized November 20, 1938 and confirmed in May, 1952. Marlene graduated from Gillett High School and went to work at AAL. She married Richard Schmitz on September 27, 1958 at Immanuel Lutheran Church. After moving to Greenville, Marlene went to work at Outagamie Nursing Home and Farm. Dick's job took their family to Kimberly where they built their first house. Marlene then worked at Kaukauna Hospital and later at Family Heritage Nursing Home.

In 1977 they bought and ran D&M Beverage Mart until 1987 when they moved to Minocqua. Many good times were had while they owned Tee Pee Campground on Lake Shishebogama right outside of Minocqua. In 1996 they moved back to Appleton.

Marlene enjoyed volunteering at church. She belonged to LWML since the 1960's and held various offices in the organization. She also enjoyed camping, cooking and baking, quilting and most importantly, being with her family.

Marlene is survived by sons: Kenneth (Janice) Schmitz and Kebin (Kathy) Schmitz; a daughter, Karla (Curt) Sims; daughter-in-law, Peggy Schmitz; eight grandchildren: Rachel (Bill) Richards, Renee, Roxanne and Robyn Schmitz, Adam Schmitz (special friend Sophie Hanson), Megan (Ryan) Albrecht, Michael Sims, Kyle (special friend Kate Mish); four great-grandchildren, Erin, Ella and Eva Schmitz, and Atticus Sims; a brother, Herbert (Leah) Giese; two sisters-in-law: Gloria Schmitz and Lavonne Schmitz; nieces, nephews, other relatives and many friends.

Marlene was preceded in death by her husband, Richard; a son Kurt; parents, Herman & Erma Giese; father and mother-in-law: Raymond and Helen Schmitz; brother, David (Joann) Giese; sisters: Harriet (Melvin) Buchholz, Doris (Bill) Parmentier and Joyce (Herman) Wasmund; sisters-in-law, Adeline (Delmar) Nieland and Muriel (Ted) Huiting; brothers-in-law: Jerry Schmitz and Gordy Schmitz.

Memorial services will be held at 11:00 a.m. on Saturday, January 27, 2018, at Faith Lutheran Church, 601 E. Glendale Ave., Appleton. Family and friends may gather at the church on Saturday from 9:00 a.m. until the time of the service. In lieu of flowers, a memorial fund will be established. For online condolences, please visit [www.verkuilenfh.com](http://www.verkuilenfh.com).

A special thank you to Dr. Sodhi and his staff, Dr. Baum, Dr. Norman, Ann, the paracentesis team and the 3rd floor staff at St. Elizabeth Hospital. Also, thank you to her caregivers, Lisa, Patty and Lori. Finally thank you to Pastor Kyle at Faith Lutheran Church who has been there for Marlene and her family.

Thanks Mom for making an amazing family and giving each one of us a part of you. We love you!!  
Richard E. Schmitz and Marlene Ann Geise had the following children:

515. i. KURT PAUL<sup>10</sup> SCHMITZ (son of Richard E. Schmitz and Marlene Ann Geise). He died before 2018. He married PEGGY SUE BREYER.

---

### Generation 5 (cont.)

516. ii. KENNETH LEE SCHMITZ (son of Richard E. Schmitz and Marlene Ann Geise). He married JANICE MARY VAN DE HEY.
517. iii. KEBIN JAY SCHMITZ (son of Richard E. Schmitz and Marlene Ann Geise). He married KATHY ANN VAN BOOGARD.
518. iv. KARLA SCHMITZ (daughter of Richard E. Schmitz and Marlene Ann Geise). She married CURT SIMS.
241. **LIVING SCHMITZ** (Helen Clara<sup>8</sup> Weber, Bertha Alberine<sup>7</sup> Krause, Herman Martin<sup>6</sup> Krause Sr., Gggf<sup>5</sup> Krause, Raymond Carl, John M.). He married (1) **LIVING GONE**. He married (2) **LIVING ROBERTS**.  
Living Schmitz and Living Gone had the following children:
519. i. LIVING SCHMITZ (son of Living Schmitz and Living Gone). He married WENDY LYNN MCCABE.
520. ii. LIVING SCHMITZ (son of Living Schmitz and Living Gone).
521. iii. LIVING SCHMITZ (son of Living Schmitz and Living Gone).
522. iv. LIVING SCHMITZ (daughter of Living Schmitz and Living Gone).
243. **LIVING MEYERS SR.** (Edna R.<sup>8</sup> Weber, Bertha Alberine<sup>7</sup> Krause, Herman Martin<sup>6</sup> Krause Sr., Gggf<sup>5</sup> Krause, Rudolph). He married (1) **LIVING JORDAN**. He married (2) **LIVING MAGNUSON**.  
Living Meyers Sr. and Living Jordan had the following child:
523. i. LIVING MEYERS JR. (son of Living Meyers Sr. and Living Jordan).
246. **JOYCE<sup>9</sup> HAUSCHULTZ** (Christina 'Tina' Matilda<sup>8</sup> Weber, Bertha Alberine<sup>7</sup> Krause, Herman Martin<sup>6</sup> Krause Sr., Gggf<sup>5</sup> Krause, Walter William, Carl) was born on 08 November 1931 in New London, Waupaca Co., WI. She died on 10 September 1993 in Milan, Rock Island Co., IL. She married Glen E. Reeck date Unknown in ?. He was born on 22 July 1928. He died on 15 December 1987 in Milan, Rock Island Co., IL.
- Notes for Joyce Hauschultz:  
Ref:  
1940 Census, New London, Waupaca Co., WI, ED#68-30, p1A/321A, family#1, frame 1/36, taken 5 Apr 1940, age 8  
Glen E. Reeck and Joyce Hauschultz had the following children:
524. i. JEFF<sup>10</sup> REECK (son of Glen E. Reeck and Joyce Hauschultz) was born date Unknown in ?.
525. ii. JON REECK (son of Glen E. Reeck and Joyce Hauschultz) was born date Unknown in ?.
526. iii. TAMMY REECK (daughter of Glen E. Reeck and Joyce Hauschultz) was born date Unknown in ?.
247. **LUELLA JANE<sup>9</sup> HAUSCHULTZ** (Christina 'Tina' Matilda<sup>8</sup> Weber, Bertha Alberine<sup>7</sup> Krause, Herman Martin<sup>6</sup> Krause Sr., Gggf<sup>5</sup> Krause, Walter William, Carl) was born on 08 July 1933 in New London, Waupaca Co., WI. She died on 12 March 2011 in Manitowoc, Manitowac Co., WI. She married **THEODORE L. HILL**. He was born on 30 September 1933. He died on 03 August 1998 in Manitowoc, Manitowac Co., WI.
- Notes for Luella Jane Hauschultz:  
Ref:  
1940 Census, New London, Waupaca Co., WI, ED#68-30, p1A/321A, family#1, frame 1/36, taken 5 Apr 1940, age 6  
Theodore L. Hill and Luella Jane Hauschultz had the following children:
527. i. LIVING HILL (son of Theodore L. Hill and Luella Jane Hauschultz).
528. ii. ANN HILL (daughter of Theodore L. Hill and Luella Jane Hauschultz) was born date Unknown in ?.
- +529. iii. BONNIE HILL (daughter of Theodore L. Hill and Luella Jane Hauschultz) was born
-

---

### Generation 5 (cont.)

- date Unknown in ?. She married ? BOYLE.
530. iv. DANNY HILL (son of Theodore L. Hill and Luella Jane Hauschultz) was born date Unknown in ?.
531. v. DARRYL HILL (son of Theodore L. Hill and Luella Jane Hauschultz) was born date Unknown in ?.
532. vi. DAVID LOREN HILL (son of Theodore L. Hill and Luella Jane Hauschultz) was born date Unknown in ?.
533. vii. LAURA SUE HILL (daughter of Theodore L. Hill and Luella Jane Hauschultz) was born date Unknown in ?.
534. viii. TERYL HILL (daughter of Theodore L. Hill and Luella Jane Hauschultz) was born date Unknown in ?.
249. **ELAINE C.<sup>9</sup> HAUSCHULTZ** (Christina 'Tina' Matilda<sup>8</sup> Weber, Bertha Alberine<sup>7</sup> Krause, Herman Martin<sup>6</sup> Krause Sr., Gggf<sup>5</sup> Krause, Walter William, Carl) was born on 28 October 1937 in New London, Waupaca Co., WI. She married (1) **RONALD G. SPAULDING** date Unknown in ?. He was born on 15 September 1935 in ?.

Notes for Elaine C. Hauschultz:

Ref:

1940 Census, New London, Waupaca Co., WI, ED#68-30, p1A/321A, family#1, frame 1/36, taken 5 Apr 1940, age 2

Elaine C. Hauschultz had the following child:

535. i. ZANE<sup>10</sup> HAUSCHULTZ (son of Elaine C. Hauschultz).

Ronald G. Spaulding and Elaine C. Hauschultz had the following children:

536. i. MELISSA<sup>10</sup> SPAULDING (daughter of Ronald G. Spaulding and Elaine C. Hauschultz) was born date Unknown in ?.
537. ii. RAYMOND SPAULDING (son of Ronald G. Spaulding and Elaine C. Hauschultz) was born date Unknown in ?.

250. **BEVERLY<sup>9</sup> HAUSCHULTZ** (Christina 'Tina' Matilda<sup>8</sup> Weber, Bertha Alberine<sup>7</sup> Krause, Herman Martin<sup>6</sup> Krause Sr., Gggf<sup>5</sup> Krause, Walter William, Carl) was born on 19 November 1939 in New London, Waupaca Co., WI. She married Robert Schwister Sr. date Unknown in ?. He was born date Unknown in ?.

Notes for Beverly Hauschultz:

Ref:

1940 Census, New London, Waupaca Co., WI, ED#68-30, p1A/321A, family#1, frame 1/36, taken 5 Apr 1940, age 4/12

Robert Schwister Sr. and Beverly Hauschultz had the following children:

538. i. ROBERT<sup>10</sup> SCHWISTER JR. (son of Robert Schwister Sr. and Beverly Hauschultz) was born date Unknown in ?.
539. ii. CHERYL SCHWISTER (daughter of Robert Schwister Sr. and Beverly Hauschultz) was born date Unknown in ?.
540. iii. CONNIE SCHWISTER (daughter of Robert Schwister Sr. and Beverly Hauschultz) was born date Unknown in ?.
541. iv. DONNA SCHWISTER (daughter of Robert Schwister Sr. and Beverly Hauschultz) was born date Unknown in ?.
542. v. JOSEPH SCHWISTER (son of Robert Schwister Sr. and Beverly Hauschultz) was born date Unknown in ?.
543. vi. LISA SCHWISTER (daughter of Robert Schwister Sr. and Beverly Hauschultz) was born date Unknown in ?.

251. **WAYNE<sup>9</sup> HAUSCHULTZ SR.** (Christina 'Tina' Matilda<sup>8</sup> Weber, Bertha Alberine<sup>7</sup> Krause, Herman Martin<sup>6</sup> Krause Sr., Gggf<sup>5</sup> Krause, Walter William, Carl) was born on 03 April 1942 in Two Rivers, Manitowoc Co., WI. He died on 28 June 1999 in Two Rivers, Manitowoc Co., WI. He married Sharon Reedy date Unknown in ?. She was born date Unknown in ?.

Wayne Hauschultz Sr. and Sharon Reedy had the following children:

---

### Generation 5 (cont.)

544. i. WAYNE<sup>10</sup> HAUSCHULTZ JR. (son of Wayne Hauschultz Sr. and Sharon Reedy) was born about 1960 in ?. He married Deanne ??? date Unknown in ?. She was born date Unknown in ?.
545. ii. LIVING HAUSCHULTZ (daughter of Wayne Hauschultz Sr. and Sharon Reedy).
546. iii. LIVING HAUSCHULTZ (son of Wayne Hauschultz Sr. and Sharon Reedy).
547. iv. LIVING HAUSCHULTZ (son of Wayne Hauschultz Sr. and Sharon Reedy).
548. v. LINDA HAUSCHULTZ (daughter of Wayne Hauschultz Sr. and Sharon Reedy) was born date Unknown in ?.
549. vi. PENNY HAUSCHULTZ (daughter of Wayne Hauschultz Sr. and Sharon Reedy) was born date Unknown in ?.
550. vii. TIMOTHY HAUSCHULTZ (son of Wayne Hauschultz Sr. and Sharon Reedy) was born date Unknown in ?.
252. **PATSY LEE<sup>9</sup> HAUSCHULTZ** (Christina 'Tina' Matilda<sup>8</sup> Weber, Bertha Alberine<sup>7</sup> Krause, Herman Martin<sup>6</sup> Krause Sr., Gggf<sup>5</sup> Krause, Walter William, Carl) was born on 08 January 1945 in WI<sup>34</sup>. She married Gary M. Schaal date Unknown in ?. He was born on 15 September 1935 in ?<sup>34</sup>.  
Gary M. Schaal and Patsy Lee Hauschultz had the following children:
551. i. LIVING SCHAAL (daughter of Gary M. Schaal and Patsy Lee Hauschultz).
552. ii. KATHERINE SCHAAL (daughter of Gary M. Schaal and Patsy Lee Hauschultz) was born date Unknown in ?.
553. iii. MICHAEL SCHAAL (son of Gary M. Schaal and Patsy Lee Hauschultz) was born date Unknown in ?.
554. iv. RANDALL SCHAAL (son of Gary M. Schaal and Patsy Lee Hauschultz) was born date Unknown in ?.
253. **LIVING HAUSCHULTZ** (Christina 'Tina' Matilda<sup>8</sup> Weber, Bertha Alberine<sup>7</sup> Krause, Herman Martin<sup>6</sup> Krause Sr., Gggf<sup>5</sup> Krause, Walter William, Carl). She married **LIVING KUNSTMANN**.  
Living Kunstmann and Living Hauschultz had the following children:
555. i. DENESE<sup>10</sup> KUNSTMANN (daughter of Living Kunstmann and Living Hauschultz) was born on 30 January 1968 in Two Rivers, Manitowoc Co., WI. She died on 25 July 1999 in Manitowoc, Manitowoc Co., WI. She married Timothy Joseph Rohr on 01 October 1988 in Manitowoc, Manitowoc Co., WI. He was born in WI.
556. ii. LIVING KUNSTMANN (son of Living Kunstmann and Living Hauschultz). He married LIVING LEQUE.
557. iii. LIVING KUNSTMANN (daughter of Living Kunstmann and Living Hauschultz).
254. **LIVING HAUSCHULTZ** (Christina 'Tina' Matilda<sup>8</sup> Weber, Bertha Alberine<sup>7</sup> Krause, Herman Martin<sup>6</sup> Krause Sr., Gggf<sup>5</sup> Krause, Walter William, Carl). She married (1) **WAYNE RAYMOND GREENWOOD SR.** He was born on 08 February 1945 in Two Rivers, Manitowoc, WI<sup>18, 20</sup>. He died on 21 February 2001 in Sturgeon Bay, Door Co., WI<sup>18, 20</sup>. She married (2) **WILLIAM 'BUD' ARTHUR PICKARD**. He was born on 01 May 1939 in Milwaukee, Milwaukee Co., WI. He died on 11 October 2011 in Two Rivers, Manitowoc, WI.

Notes for Wayne Raymond Greenwood Sr.:

U.S. Veterans Gravesites, ca.1775-2006 about Wayne R Greenwood

Name: Wayne R Greenwood

Service Info.: SP5 US ARMY VIETNAM

Birth Date: 8 Feb 1945

Death Date: 21 Feb 2001

Cemetery: Bayside Cemetery

Cemetery Address: 5687 W Townline Rd Sturgeon Bay, WI 54235

---

### Generation 5 (cont.)

U.S., Social Security Death Index, 1935-Current about Wayne Greenwood

Name: Wayne Greenwood

SSN: 397-40-9379

Last Residence: 54235 Sturgeon Bay, Door, Wisconsin, USA

Born: 8 Feb 1945

Died: 21 Feb 2001

State (Year) SSN issued: Wisconsin (1959)

Wayne Raymond Greenwood Sr. and Living Hauschultz had the following children:

- +558. i. LIVING GREENWOOD (daughter of Wayne Raymond Greenwood Sr. and Living Hauschultz). She met LIVING PRATT (son of Marshall J. Pratt and Murial Klinker).
- 559. ii. LIVING GREENWOOD (son of Wayne Raymond Greenwood Sr. and Living Hauschultz).
- 560. iii. LIVING GREENWOOD JR. (son of Wayne Raymond Greenwood Sr. and Living Hauschultz). He married LIVING KONITZER.

256. **DOUGLA PAUL<sup>9</sup> HAUSCHULTZ SR.** (Christina 'Tina' Matilda<sup>8</sup> Weber, Bertha Alberine<sup>7</sup> Krause, Herman Martin<sup>6</sup> Krause Sr., Gggf<sup>5</sup> Krause, Walter William, Carl) was born on 23 May 1951 in Waupaca, Waupaca Co., WI<sup>18</sup>. He died on 01 June 2013 in Two Rivers, Manitowoc Co., WI<sup>18</sup>. He married (1) **LIVING DURKEE** (daughter of Howard Clayton Durkee Sr. and Dona Mae Runke). He married (2) **LISA REIMER** on 11 September 1998. She was born date Unknown in ?. He married (3) **LIVING WEBER**.

Dougla Paul Hauschultz Sr. and Living Durkee had the following child:

- 561. i. LIVING HAUSCHULTZ (son of Dougla Paul Hauschultz Sr. and Living Durkee).

Dougla Paul Hauschultz Sr. and Living Weber had the following children:

- 562. i. LIVING HAUSCHULTZ (daughter of Dougla Paul Hauschultz Sr. and Living Weber).
- 563. ii. LIVING HAUSCHULTZ (daughter of Dougla Paul Hauschultz Sr. and Living Weber).
- 564. iii. LIVING HAUSCHULTZ (daughter of Dougla Paul Hauschultz Sr. and Living Weber).

257. **GARY DON<sup>9</sup> HAUSCHULTZ** (Christina 'Tina' Matilda<sup>8</sup> Weber, Bertha Alberine<sup>7</sup> Krause, Herman Martin<sup>6</sup> Krause Sr., Gggf<sup>5</sup> Krause, Walter William, Carl) was born on 02 November 1952 in WI. He died on 22 April 1987 in Two Rivers, Manitowoc Co., WI. He married (1) **DAWN MAGSAMEN** date Unknown in ?. She was born date Unknown in ?. He married (2) **GAIL HENDRICKSON** date Unknown in ?. She was born date Unknown in ?.

Gary Don Hauschultz and Gail Hendrickson had the following child:

- 565. i. CHRISTINA<sup>10</sup> HAUSCHULTZ (daughter of Gary Don Hauschultz and Gail Hendrickson) was born date Unknown in ?.

259. **DENNIS MICHAEL B.<sup>9</sup> HAUSCHULTZ** (Christina 'Tina' Matilda<sup>8</sup> Weber, Bertha Alberine<sup>7</sup> Krause, Herman Martin<sup>6</sup> Krause Sr., Gggf<sup>5</sup> Krause, Walter William, Carl) was born on 07 June 1955 in WI. He died on 06 November 1998 in Manitowac, Manitowac Co., WI. He married Shirley Ann Fischer on 17 October 1997 in Sheboygan, Sheboygan Co., WI. She was born date Unknown in ?.

Dennis Michael B. Hauschultz and Shirley Ann Fischer had the following child:

- 566. i. LIVING HAUSCHULTZ (son of Dennis Michael B. Hauschultz and Shirley Ann Fischer).

260. **LIVING HAUSCHULTZ** (Christina 'Tina' Matilda<sup>8</sup> Weber, Bertha Alberine<sup>7</sup> Krause, Herman Martin<sup>6</sup> Krause Sr., Gggf<sup>5</sup> Krause, Walter William, Carl). He married **LIVING HENDRICKSON**.

Living Hauschultz and Living Hendrickson had the following children:

- 567. i. LIVING HAUSCHULTZ (son of Living Hauschultz and Living Hendrickson).
- 568. ii. LIVING HAUSCHULTZ (son of Living Hauschultz and Living Hendrickson).
- 569. iii. LIVING HAUSCHULTZ (son of Living Hauschultz and Living Hendrickson).
- 570. iv. LIVING HAUSCHULTZ (son of Living Hauschultz and Living Hendrickson).

262. **LIVING WEBER** (Violet A.<sup>8</sup>, Bertha Alberine<sup>7</sup> Krause, Herman Martin<sup>6</sup> Krause Sr., Gggf<sup>5</sup> Krause).

---

### Generation 5 (cont.)

She married (1) **LIVING MUELLER**. She married (2) **LIVING JENT**. She married (3) **LIVING OESTREICH**.

Living Mueller and Living Weber had the following children:

- 571. i. LIVING MUELLER (daughter of Living Mueller and Living Weber).
- 572. ii. LIVING MUELLER (daughter of Living Mueller and Living Weber).
- 573. iii. LIVING MUELLER (son of Living Mueller and Living Weber).
- 574. iv. LIVING MUELLER (son of Living Mueller and Living Weber).
- 575. v. LIVING MUELLER (son of Living Mueller and Living Weber).
- 576. vi. LIVING MUELLER (daughter of Living Mueller and Living Weber).

Living Jent and Living Weber had the following child:

- 577. i. LIVING JENT (daughter of Living Jent and Living Weber).

266. **DARLENE C.<sup>9</sup> THIELKE** (Violet A.<sup>8</sup> Weber, Bertha Alberine<sup>7</sup> Krause, Herman Martin<sup>6</sup> Krause Sr., Gggf<sup>5</sup> Krause, Frank) was born on 30 April 1947 in Outagamie Co., WI<sup>3, 18</sup>. She died on 30 June 1982 in WI<sup>18</sup>. She married Eugene W. Dervin on 16 August 1968 in Waupaca Co., WI<sup>3</sup>. He was born on 25 December 1944<sup>18</sup>. He died on 23 November 1971 in Oshkosh, Winnebago Co., WI<sup>18</sup>.

Notes for Darlene C. Thielke:

6. Darlene b April 30, 1942 d June 30, 1982 in Wi from a semi cycle accident m Eugene Dervin b December 25, 1944 D December 23, 1971 Oshkosh, wi

they had two children Rebecca Lynn Dervin b 1973 and Scott Dervin b 1976

Eugene W. Dervin and Darlene C. Thielke had the following children:

- 578. i. LIVING DERVIN (daughter of Eugene W. Dervin and Darlene C. Thielke).
- 579. ii. SCOTT DERVIN (son of Eugene W. Dervin and Darlene C. Thielke).

269. **FERNE LEONA<sup>9</sup> HOPPE** (Leo Arthur<sup>8</sup>, Mathilda W.<sup>7</sup> Krause, Herman Martin<sup>6</sup> Krause Sr., Gggf<sup>5</sup> Krause, Leo Arthur<sup>8</sup>, Albert Julius, Theodore H., ?, Br-01, Root-Hoppe) was born on 13 February 1931 in Windsor Twp., Dane Co., WI. She died on 06 May 2018 in Yorba Linda, Orange Co., CA. She married Robert Doll (son of Edward Doll and Helen ???) on 25 March 1950 in ?. He was born on 27 December 1928 in ?. He died on 09 September 2003.

Robert Doll and Ferne Leona Hoppe had the following children:

- 580. i. LAWRENCE<sup>10</sup> DOLL (son of Robert Doll and Ferne Leona Hoppe).
- 581. ii. NANCY DOLL (daughter of Robert Doll and Ferne Leona Hoppe).
- 582. iii. SHARON DOLL (daughter of Robert Doll and Ferne Leona Hoppe).
- 583. iv. LINDA DOLL (daughter of Robert Doll and Ferne Leona Hoppe).

270. **LIVING HOPPE** (Leo Arthur<sup>8</sup>, Mathilda W.<sup>7</sup> Krause, Herman Martin<sup>6</sup> Krause Sr., Gggf<sup>5</sup> Krause, Leo Arthur<sup>8</sup>, Albert Julius, Theodore H., ?, Br-01, Root-Hoppe). She married **ROBERT FRANCIS LONGFIELD** (son of Leroy Frank Longfield and Mintabelle Norris). He was born on 01 February 1933 in Madison, Dane Co., WI. He died on 09 November 2013.

Robert Francis Longfield and Living Hoppe had the following children:

- +584. i. LIVING LONGFIELD (daughter of Robert Francis Longfield and Living Hoppe). She met (1) LIVING FREDRICKSON (son of William Fredrickson and Ruth ???). She met (2) LIVING WEVER. She married (3) LIVING VANDERHOFF (son of Verl 'Van' Vanderhoff and Margaret 'Peggy' ???).
- 585. ii. LIVING LONGFIELD (son of Robert Francis Longfield and Living Hoppe).
- +586. iii. LIVING LONGFIELD (son of Robert Francis Longfield and Living Hoppe). He married LIVING RICE.



---

### Generation 5 (cont.)

- +587. iv. LIVING LONGFIELD (daughter of Robert Francis Longfield and Living Hoppe). She met LIVING BRADFORD JR. (son of Ronald Bradford Sr. and Georgia ???).
- +588. v. LIVING LONGFIELD (son of Robert Francis Longfield and Living Hoppe). He met LIVING TERRES (daughter of Eugene 'Gene' Terres and Donna Fredrickson).
- +589. vi. LIVING LONGFIELD (daughter of Robert Francis Longfield and Living Hoppe). She met (1) LIVING LATURNAL. She met (2) LIVING MCCOY.
271. **SHIRLEY ARLENE<sup>9</sup> HOPPE** (Leo Arthur<sup>8</sup>, Mathilda W.<sup>7</sup> Krause, Herman Martin<sup>6</sup> Krause Sr., Gggf<sup>5</sup> Krause, Leo Arthur<sup>8</sup>, Albert Julius, Theodore H., ?, Br-01, Root-Hoppe) was born on 24 May 1935 in Windsor Twp., Dane Co., WI. She died on 04 January 2018 in Sun Prairie, Dane Co., WI. She married Leon Jesberger (son of George Jesberger and Laura Klein) on 14 May 1955 in WI. He was born on 13 March 1932 in East Bristol, Dane Co., WI. He died on 25 July 2014 in Dane Co., WI. Leon Jesberger and Shirley Arlene Hoppe had the following child:
590. i. LIVING JESBERGER (daughter of Leon Jesberger and Shirley Arlene Hoppe). She married (1) LIVING OLSON. She married (2) LIVING MATYAS.
273. **LIVING HOPPE** (Louis Alfred<sup>8</sup>, Mathilda W.<sup>7</sup> Krause, Herman Martin<sup>6</sup> Krause Sr., Gggf<sup>5</sup> Krause, Louis Alfred<sup>8</sup>, Albert Julius, Theodore H., ?, Br-01, Root-Hoppe). She married **DARRYL ROGER NIEMUTH** (son of Alvin Arthur Niemuth and Gladys Louise Margaret Dieck). He was born on 27 March 1937 in New London, Waupaca Co., WI. He died on 14 June 2019 in Wautoma, Waushara Co., WI. Darryl Roger Niemuth and Living Hoppe had the following child:
- +591. i. LIVING NIEMUTH (daughter of Darryl Roger Niemuth and Living Hoppe). She married ? ARNDT.
274. **WILLIAM LOUIS<sup>9</sup> HOPPE** (Louis Alfred<sup>8</sup>, Mathilda W.<sup>7</sup> Krause, Herman Martin<sup>6</sup> Krause Sr., Gggf<sup>5</sup> Krause, Louis Alfred<sup>8</sup>, Albert Julius, Theodore H., ?, Br-01, Root-Hoppe) was born on 06 July 1944. He died on 14 October 1972. He married Betty Klepps on 20 July 1963 in Manawa, WI. William Louis Hoppe and Betty Klepps had the following children:
592. i. JOHN<sup>10</sup> HOPPE (son of William Louis Hoppe and Betty Klepps).
593. ii. WILLIAM HOPPE (son of William Louis Hoppe and Betty Klepps).
594. iii. LAURA HOPPE (daughter of William Louis Hoppe and Betty Klepps).
275. **LIVING HOPPE** (Harley Emanuel<sup>8</sup>, Mathilda W.<sup>7</sup> Krause, Herman Martin<sup>6</sup> Krause Sr., Gggf<sup>5</sup> Krause, Harley Emanuel<sup>8</sup>, Albert Julius, Theodore H., ?, Br-01, Root-Hoppe). She married **LIVING DULSKI** (son of Edward Andrew Dulski and Jane Zalewski). Living Dulski and Living Hoppe had the following children:
- +595. i. LIVING DULSKI (son of Living Dulski and Living Hoppe). He married LIVING KORN.
- +596. ii. LIVING DULSKI (daughter of Living Dulski and Living Hoppe). She married LIVING KEBERLEIN.
- +597. iii. LIVING DULSKI (daughter of Living Dulski and Living Hoppe). She met (1) LIVING LIEGAL. She married (2) LIVING KAIN. She married (3) LIVING JOHNSON.
598. iv. MARY BETH DULSKI (daughter of Living Dulski and Living Hoppe) was born on 15 November 1960 in Neenah, Winnebago Co., WI. She died on 15 November 1960 in Neenah, Winnebago Co., WI.
- +599. v. LIVING DULSKI (daughter of Living Dulski and Living Hoppe). She met LIVING BOELTER.
277. **GENE AUBREY<sup>9</sup> EDWARDS** (Eldora Emilie<sup>8</sup> Hoppe, Mathilda W.<sup>7</sup> Krause, Herman Martin<sup>6</sup> Krause Sr., Gggf<sup>5</sup> Krause, Aubrey John, Ward) was born on 29 September 1938 in Waupaca, Waupaca Co., WI. He died on 01 April 2021. He married (1) **GRETCHEN MILLER MOORE** in 1997. He married (2) **BERLA B. STECK** (daughter of Beryl Steck and Bessie Howard) in 1959. She was born on 22 July 1938. She died on 17 September 2017.

Notes for Gene Aubrey Edwards:

---

## Generation 5 (cont.)

### Obituary

SUN PRAIRIE - Gene Aubrey Edwards, 82, of Sun Prairie, passed away on April 1, 2021, at Agrace HospiceCare in Fitchburg, Wis. He was born on Sept. 29, 1938, in Waupaca, Wis., the son of Aubrey and Eldora (Hoppe) Edwards. Gene graduated from UW-Madison with a degree in Geology but worked in the computer industry his whole career. Gene retired from the State of Wisconsin (Information Technology) in 1996.

Gene was united in marriage to Berla Steck in 1959. They had three children, Julia Edwards (John Gorton), Scott Edwards and Jill Susini (Lionel). Gene married Gretchen Miller Moore in 1997. She has two children, Kelly Moore (Diana) and Sheri Wiersma (Joel). Gene and Gretchen have nine grandchildren, Allie Gorton, Justin Gorton, Anna Susini, Zach Susini, Levi Wiersma, Sidney Wiersma, Micah Wiersma, Hannah Moore and Ava Moore. Gene loved his family. Gene is survived by his brother, David (Karen), his uncle, William (Dee); and many nieces and nephews.

Gene enjoyed fishing (especially for muskies), collecting muskie lures and tying flies, hunting with his beloved dog Samantha, gardening, playing card and board games, camping, traveling in the USA and Europe and exploring the geology of his surroundings. He and Gretchen were Arizona snowbirds for 16 years. He had an insatiable love of books. Gene was known for his great sense of humor. He was lovingly called "Grandpa Popcorn" by the grandkids. Gene was a good man and will be dearly missed.

A celebration of life will be held with immediate family.

Memorials may be made to The Yahara Fishing Club, P.O. Box 259803, Madison, WI 53725 in support of Kids Fishing Day.

Notes for Berla B. Steck:  
ittmann , Berla B.

Berla B. Wittmann, Kimberly, age 79, died Sunday, September 17, 2017 at Cherry Meadows Hospice. She was born on the family farm on July 22, 1938 to the late Beryl and Bessie (Howard) Steck. Berla had four sisters: Rosalee Upp, LaFaye Ireton, Bonnie Hunter and Jere Johnson. She loved people and being active. Berla married in 1959 and had three children: Julia (John) Edwards, Scott Edwards and Jill Edwards-Susini. She loved being involved in all her children's activities and belonged to many organizations. Berla was a member of King's Daughters and on many church boards, outreach ministries and choirs. She also taught Sunday School and Bible School. Berla was a realtor broker for 25 years.

She married Bob Wittmann in 1993. His children are Kay (Mike) Gloudemans, Mary (Doug) Smith, Jon (Beth) Wittmann and Amy (Ron) Buchinger. She was also blessed with her grandchildren: Anna, Zach, Allie, Justin, Jill, Tony, Charlie (Abby), Hailee, Sarah (fiancé Marc), Mitchell, Willie, Alex, Reid, Samuel, Ana and David; and great grandchildren: Hunter, Alayna, Kennedy, Khloe, Anthony and Lily and is further survived by nieces, nephews, other relatives and friends.

In addition to her parents, Berla was preceded in death by her sisters: Bonnie Hunter and Jere (Wayne) Johnson, step-daughter Ann Wittmann; and nieces, nephews and other relatives.

Bob and Berla built a home in Arizona, where they lived for 22 years and came home to Wisconsin each summer. Berla played golf and cards. She truly loved helping others and always said she was the most blessed person on earth. God gave her a life full of love and smiles.

Visitation will be held Monday, September 25, 2017 at CHRIST THE KING LUTHERAN CHURCH (601 S. Washington St. Combined Locks) beginning at 9:00 a.m. until time of Funeral at 11:00 a.m. The Rev. Tim Krick will officiate. Committal St. Paul Cemetery. In lieu of flowers, a memorial is being established. To sign the guest book, please visit [oconnellfh.com](http://oconnellfh.com).

I love you all more than you could ever know. Bless you all. The most important thing in life is love

---

## Generation 5 (cont.)

and that was you.

The Wittmann and Edwards families extend a heartfelt thank you to the staff at ThedaCare at Home and Cherry Meadows Hospice for the exceptional care Berla received.

Gene Aubrey Edwards and Berla B. Steck had the following children:

- +600. i. JULIA<sup>10</sup> EDWARDS (daughter of Gene Aubrey Edwards and Berla B. Steck). She married JOHN GORTON.
- 601. ii. G. 'SCOTT' EDWARDS (son of Gene Aubrey Edwards and Berla B. Steck).
- +602. iii. JILL EDWARDS (daughter of Gene Aubrey Edwards and Berla B. Steck). She married LIONEL SUSINI.

278. **LIVING EDWARDS** (Eldora Emilie<sup>8</sup> Hoppe, Mathilda W.<sup>7</sup> Krause, Herman Martin<sup>6</sup> Krause Sr., Gggf<sup>5</sup> Krause, Aubrey John, Ward). He married **LIVING MOREY** (daughter of Kenneth Howard Morey and Elmira Strebe).

Living Edwards and Living Morey had the following children:

- +603. i. LIVING EDWARDS (son of Living Edwards and Living Morey). He married LIVING ANDERSON (daughter of Gary K. Anderson and Carol Jane Robinson).
- +604. ii. LIVING EDWARDS (son of Living Edwards and Living Morey). He married LIVING PENNINGTON.

281. **BEVERLY<sup>9</sup> LEE** (Dorothy 'Dora' Emma<sup>8</sup> Preuss, Amanda<sup>7</sup> Krause, Herman Martin<sup>6</sup> Krause Sr., Gggf<sup>5</sup> Krause, William) was born date Unknown in ?. She married ? ???.

? ??? and Beverly Lee had the following child:

- 605. i. SON<sup>10</sup> ??? (son of ? ??? and Beverly Lee). He married BEV ???.

282. **LIVING PREUSS** (Fred Henry<sup>8</sup>, Amanda<sup>7</sup> Krause, Herman Martin<sup>6</sup> Krause Sr., Gggf<sup>5</sup> Krause, Fred Henry<sup>8</sup>, Emil Walter, Julius Edward, Matthias). He married **LIVING SCHWARZ** (daughter of Robert C. Schwarz and Carmela Vechi).

Living Preuss and Living Schwarz had the following children:

- +606. i. LIVING PREUSS (daughter of Living Preuss and Living Schwarz). She married LIVING KORDUS (son of Dale Kordus and Terri ???).
- 607. ii. LIVING PREUSS (daughter of Living Preuss and Living Schwarz).
- +608. iii. LIVING PREUSS (daughter of Living Preuss and Living Schwarz). She married (1) LIVING MONTOYA. She met (2) LIVING KOMANEKIN.
- +609. iv. LIVING PREUSS (daughter of Living Preuss and Living Schwarz). She married LIVING WILKEN (son of James Wilken and Nancy Janke).

283. **LIVING PREUSS** (Fred Henry<sup>8</sup>, Amanda<sup>7</sup> Krause, Herman Martin<sup>6</sup> Krause Sr., Gggf<sup>5</sup> Krause, Fred Henry<sup>8</sup>, Emil Walter, Julius Edward, Matthias). He married **LIVING ERICKSON** (daughter of Willie Erickson and Luella ???).

Living Preuss and Living Erickson had the following children:

- +610. i. LIVING PREUSS (adopted son of Living Preuss and Living Erickson). He married LIVING ???.
- 611. ii. LIVING PREUSS (adopted daughter of Living Preuss and Living Erickson).

284. **LIVING PREUSS** (Fred Henry<sup>8</sup>, Amanda<sup>7</sup> Krause, Herman Martin<sup>6</sup> Krause Sr., Gggf<sup>5</sup> Krause, Fred Henry<sup>8</sup>, Emil Walter, Julius Edward, Matthias). She married **LIVING JANKE** (son of Walter Janke and Dorothy Schmidt).

Living Janke and Living Preuss had the following children:

- 612. i. LIVING JANKE (son of Living Janke and Living Preuss). He married LIVING FRAAZA (daughter of Kenneth Fraaza and Jen ???).
- +613. ii. LIVING JANKE (daughter of Living Janke and Living Preuss). She married (1) LIVING

---

## Generation 5 (cont.)

ANDRADE. She married (2) LIVING SIGHN.

286. **JAQUELINE<sup>9</sup> BUSS** (Alvin Louis<sup>8</sup>, Ida M.<sup>7</sup> Krause, Herman Martin<sup>6</sup> Krause Sr., Gggf<sup>5</sup> Krause, Alvin Louis<sup>8</sup>, George F.) was born on 19 September 1949. She died on 05 May 2019. She married **WILBUR SCHROEDER** (son of Vergil E. Schroeder and Dorothy Mae Brown). He was born on 12 August 1948. He died on 16 August 2013.

Wilbur Schroeder and Jaqueline Buss had the following child:

614. i. T. MAE<sup>10</sup> SCHROEDER (daughter of Wilbur Schroeder and Jaqueline Buss).

290. **ORVILLE DONALD 'BUTCH'<sup>9</sup> KRAUSE** (Orville Herman<sup>8</sup>, Herman Martin<sup>7</sup> Jr., Herman Martin<sup>6</sup> Sr., Gggf<sup>5</sup>, ?-A<sup>4</sup>, Branch-One-A<sup>3</sup>, Haplogroup-I2a-F3744-Positive<sup>2</sup>, Schlochau-Branches<sup>1</sup>) was born on 04 June 1946 in Richmond, VA<sup>1</sup>. He died on 09 September 2017 in Waupun, Fond du Lac Co., WI<sup>1</sup>. He married **LIVING DEASTELL** (daughter of John Nels Deastell Sr. and Florence M. McMullen).

Notes for Orville Donald 'Butch' Krause:

Orville D. "Butch" Krause, age 71, passed away unexpectedly at his residence on Saturday, September 9, 2017. He was born to the late Orville and Betty (Baxter) Krause in West Virginia on June 4, 1946. He served his country as a member of the United States Air Force. He married Clara Deastell on August 9, 1969 in Bowler, WI. He worked for Oshkosh Truck for 40+ years before retiring as an inspector. He loved camping, fishing, hunting, cookouts and especially being with his grandkids and family.

Orville is survived by h(private).

In addition to his parents, Orville is preceded in death by his brother, Garrett and sister, Karen.

Services for Orville will be held at Lake View Memorial Park on Monday, September 18, 2017 at 11:00AM. Rev. Jim Hardy will be officiating. A visitation will be from 10:00AM until the time of service. A burial will follow the service.  
(Source: <http://konrad-behlman.com>)

Orville Donald 'Butch' Krause and Living Deastell had the following children:

- +615. i. LIVING KRAUSE (son of Orville Donald 'Butch' Krause and Living Deastell). He married LIVING STINEFELT.
616. ii. LIVING KRAUSE (daughter of Orville Donald 'Butch' Krause and Living Deastell). She married LIVING ZARLING.
617. iii. LIVING KRAUSE (son of Orville Donald 'Butch' Krause and Living Deastell). He married CHRISSEY ????. She was born date Unknown in ?.
291. **GARRETT LEE<sup>9</sup> KRAUSE I** (Orville Herman<sup>8</sup>, Herman Martin<sup>7</sup> Jr., Herman Martin<sup>6</sup> Sr., Gggf<sup>5</sup>, ?-A<sup>4</sup>, Branch-One-A<sup>3</sup>, Haplogroup-I2a-F3744-Positive<sup>2</sup>, Schlochau-Branches<sup>1</sup>) was born on 05 December 1947 in New London, Waupaca Co., WI<sup>18</sup>. He died on 27 November 2011 in Oshkosh, Winnebago Co., WI<sup>18</sup>. He married (1) **LIVING DURKEE** (daughter of Howard Clayton Durkee Sr. and Dona Mae Runke). He married (2) **ROSEMARY KLEINSCHMIDT** (daughter of Norman Kleinschmidt and Jane E. Gibson) on 09 December 1967 in Oshkosh, Winnebago Co., WI. She was born in 1950 in Oshkosh, Winnebago Co., WI. She died in 2018 in Oshkosh, Winnebago Co., WI.

Garrett Lee Krause I and Living Durkee had the following children:

- +618. i. LIVING KRAUSE (daughter of Garrett Lee Krause I and Living Durkee). She married LIVING MILLER SR. (son of Terrence Miller and Faith Amundson).
- +619. ii. LIVING KRAUSE (son of Garrett Lee Krause I and Living Durkee). He met (1) LIVING VAN OVER (daughter of ? Van Over and ? ???). He met (2) LIVING FAHLEY (daughter of ? Fahley and ? ???).
620. iii. LIVING KRAUSE II (son of Garrett Lee Krause I and Living Durkee).

Garrett Lee Krause I and Rosemary Kleinschmidt had the following child:

- +621. i. LIVING KRAUSE (son of Garrett Lee Krause I and Rosemary Kleinschmidt). He married LIVING MILLER (daughter of Rodney Miller and Edith ???).

---

### Generation 5 (cont.)

292. **LIVING KRAUSE** (Orville Herman<sup>8</sup>, Herman Martin<sup>7</sup> Jr., Herman Martin<sup>6</sup> Sr., Gggf<sup>5</sup>, ?-A<sup>4</sup>, Branch-One-A<sup>3</sup>, Haplogroup-I2a-F3744-Positive<sup>2</sup>, Schlochau-Branches<sup>1</sup>). He married (1) **LIVING RUMLOW**. He married (2) **LIVING STENSON**.  
Living Krause and Living Rumlow had the following children:  
622. i. LIVING KRAUSE (son of Living Krause and Living Rumlow).  
623. ii. LIVING KRAUSE (daughter of Living Krause and Living Rumlow).  
Living Krause and Living Stenson had the following children:  
624. i. LIVING KRAUSE (daughter of Living Krause and Living Stenson).  
625. ii. LIVING KRAUSE (daughter of Living Krause and Living Stenson).
293. **LIVING KRAUSE** (Orville Herman<sup>8</sup>, Herman Martin<sup>7</sup> Jr., Herman Martin<sup>6</sup> Sr., Gggf<sup>5</sup>, ?-A<sup>4</sup>, Branch-One-A<sup>3</sup>, Haplogroup-I2a-F3744-Positive<sup>2</sup>, Schlochau-Branches<sup>1</sup>). He married (1) **LIVING MANSKE**. He married (2) **LIVING GRANT**.  
Living Krause and Living Manske had the following child:  
626. i. LIVING KRAUSE (son of Living Krause and Living Manske).
294. **LIVING KRAUSE** (Orville Herman<sup>8</sup>, Herman Martin<sup>7</sup> Jr., Herman Martin<sup>6</sup> Sr., Gggf<sup>5</sup>, ?-A<sup>4</sup>, Branch-One-A<sup>3</sup>, Haplogroup-I2a-F3744-Positive<sup>2</sup>, Schlochau-Branches<sup>1</sup>). She married (1) **LIVING TYSON**. She married (2) **LIVING DEUBLAR**.  
Living Tyson and Living Krause had the following children:  
+627. i. LIVING TYSON (son of Living Tyson and Living Krause). He married LIVING ????.  
628. ii. LIVING TYSON (son of Living Tyson and Living Krause).
295. **KAREN JEAN<sup>9</sup> KRAUSE** (Orville Herman<sup>8</sup>, Herman Martin<sup>7</sup> Jr., Herman Martin<sup>6</sup> Sr., Gggf<sup>5</sup>, ?-A<sup>4</sup>, Branch-One-A<sup>3</sup>, Haplogroup-I2a-F3744-Positive<sup>2</sup>, Schlochau-Branches<sup>1</sup>) was born on 12 April 1958 in Oshkosh, Winnebago Co., WI. She died on 15 September 2009 in Oshkosh, Winnebago Co., WI. She married **LIVING HILL** (son of Son Hill).  
Living Hill and Karen Jean Krause had the following children:  
+629. i. LIVING HILL (son of Living Hill and Karen Jean Krause). He married LIVING COATES.  
+630. ii. LIVING HILL (daughter of Living Hill and Karen Jean Krause). She married LIVING GUENTHER (son of Ralph Guenther and Barbara ???).
298. **DIANE<sup>9</sup> WINTERS** (Eleanor Rose<sup>8</sup> Krause, Herman Martin<sup>7</sup> Krause Jr., Herman Martin<sup>6</sup> Krause Sr., Gggf<sup>5</sup> Krause, John Herman, ?). She married Keith Wolff in Oshkosh, WI.  
Keith Wolff and Diane Winters had the following children:  
631. i. PEGGY<sup>10</sup> WOLFF (daughter of Keith Wolff and Diane Winters).  
632. ii. BRIAN WOLFF (son of Keith Wolff and Diane Winters).  
633. iii. TIM WOLFF (son of Keith Wolff and Diane Winters).  
+634. iv. CHRIS W. WOLFF (son of Keith Wolff and Diane Winters) was born on 31 January 1964 in Oshkosh, WI. He died on 19 January 1999 in Van Dyne, WI. He married (1) JUDITH SCHUBERT on 08 April 1996 in Las Vegas, NV. He married (2) ? ??? about 1984.
302. **BONNIE JEAN<sup>9</sup> WINTERS** (Eleanor Rose<sup>8</sup> Krause, Herman Martin<sup>7</sup> Krause Jr., Herman Martin<sup>6</sup> Krause Sr., Gggf<sup>5</sup> Krause, John Herman, ?) was born on 10 September 1953 in Oshkosh, Winnebago Co., WI. She died on 26 May 2003 in Oshkosh, Winnebago Co., WI. She married Ralph J. Makurat on 21 September 1973 in Redgranite, WI.  
Ralph J. Makurat and Bonnie Jean Winters had the following children:  
635. i. SCOTT<sup>10</sup> MAKURAT (son of Ralph J. Makurat and Bonnie Jean Winters).  
636. ii. KAY MAKURAT (daughter of Ralph J. Makurat and Bonnie Jean Winters).  
637. iii. MANDY LYNN MAKURAT (daughter of Ralph J. Makurat and Bonnie Jean Winters)
-

---

### Generation 5 (cont.)

was born about 27 October 1979. She died on 27 October 1979.

304. **LIVING KRAUSE** (Donald Edward<sup>8</sup> Sr., Herman Martin<sup>7</sup> Jr., Herman Martin<sup>6</sup> Sr., Gggf<sup>5</sup>, ?-A<sup>4</sup>, Branch-One-A<sup>3</sup>, Haplogroup-I2a-F3744-Positive<sup>2</sup>, Schlochau-Branches<sup>1</sup>). She married **LIVING WEATHERLY** (son of Ralph Bernard Weatherly and Irene Janet Smith).

Living Weatherly and Living Krause had the following children:

- 638. i. LIVING WEATHERLY (son of Living Weatherly and Living Krause).
- 639. ii. LIVING WEATHERLY (daughter of Living Weatherly and Living Krause).

306. **LIVING KRAUSE** (Donald Edward<sup>8</sup> Sr., Herman Martin<sup>7</sup> Jr., Herman Martin<sup>6</sup> Sr., Gggf<sup>5</sup>, ?-A<sup>4</sup>, Branch-One-A<sup>3</sup>, Haplogroup-I2a-F3744-Positive<sup>2</sup>, Schlochau-Branches<sup>1</sup>). She married **LIVING LEVENGOOD**.

Living Levengood and Living Krause had the following child:

- 640. i. LIVING LEVENGOOD (daughter of Living Levengood and Living Krause).

309. **JEFFREY ALAN<sup>9</sup> KRAUSE** (Donald Edward<sup>8</sup> Sr., Herman Martin<sup>7</sup> Jr., Herman Martin<sup>6</sup> Sr., Gggf<sup>5</sup>, ?-A<sup>4</sup>, Branch-One-A<sup>3</sup>, Haplogroup-I2a-F3744-Positive<sup>2</sup>, Schlochau-Branches<sup>1</sup>) was born on 15 December 1963 in Mt. Clemens, Macomb Co., MI. He died on 11 December 1995 in Mt. Clemens, Macomb Co., MI. He married Roseanna Gardynik on 25 August 1988 in Mt. Clemens, Macomb Co., MI.

Notes for Jeffrey Alan Krause:

The following is from the Find A Grave info:

Jeffrey Alan Krause

Birth: Dec. 15, 1963  
Mount Clemens  
Macomb County  
Michigan, USA  
Death: Dec. 11, 1995  
Mount Clemens  
Macomb County  
Michigan, USA

Mr. Jeffrey Alan Krause of Mount Clemens passed away at Mount Clemens General Hospital on Monday at the age of 31 years.

Born in Mount Clemens December 15, 1963, a son of Donald E. and Regina Overman Krause, Sr., he moved to Texas when he was five years old and moved back to Mount Clemens in the spring of 1985.

He was united in marriage with the former Roseanna Gardynik August 25, 1988 in Mount Clemens. Mr. Krause had been employed by Ventures, Inc. in Clinton Township as a foreman. He enjoyed working on cars and also enjoyed football.

Surviving is his wife, Roseanna, and four children: Heather, Amanda, Richard and Donald. Also surviving are his parents, Donald and Regina Krause of Sherman, Texas and the following brothers and sisters: Jack (Anne) Chambers of Puiallup, Washington, Kerry Krause of Houston, Texas, Raenelle (David) Weatherly of Anacortes, Washington, Kevin Krause of Sherman, Texas, Renee (Gerald) Leavengood of Kingston, Washington, Donald Krause, Jr. of Sherman, Texas and Tim Krause of Vernon, Texas.

Funeral services will be held on Friday, December 15, 1995 at 9:30 am. in the Will and Schwarzkoff Funeral Home, 233 Northbound Gratiot, Mount Clemens and 10:00 am. at St. Peter Catholic Church with the Reverend Father Michael Cooney officiating. burial will follow in Cadillac Memorial Gardens Cemetery, Clinton Township.

---

### Generation 5 (cont.)

Visiting hours in the funeral home will be from 6:30 pm. until 9:00 pm., Wednesday and Noon until 9:00 pm., Thursday.

A Scripture service will be held at 7:00 pm., Thursday.

Family links:

Parents:

Donald E. Krause (1928 - 2004)

Inscription:

TOGETHER FOREVER

JEFFREY A KRAUSE

1963 - 1995

Burial:

Cadillac Memorial Gardens-East

Clinton Township

Macomb County

Michigan, USA

Plot: Resurrection Mausoleum, Level F, Crypt 19

Jeffrey Alan Krause and Roseanna Gardynik had the following children:

- 641. i. HEATHER<sup>10</sup> KRAUSE (daughter of Jeffrey Alan Krause and Roseanna Gardynik).
- 642. ii. AMANDA KRAUSE (daughter of Jeffrey Alan Krause and Roseanna Gardynik).
- 643. iii. RICHARD KRAUSE (son of Jeffrey Alan Krause and Roseanna Gardynik).
- 644. iv. DONALD KRAUSE (son of Jeffrey Alan Krause and Roseanna Gardynik).

310. **LIVING KRAUSE** (Earl T.<sup>8</sup>, Carl Theodore<sup>7</sup>, Herman Martin<sup>6</sup> Sr., Gggf<sup>5</sup>, ?-A<sup>4</sup>, Branch-One-A<sup>3</sup>, Haplogroup-I2a-F3744-Positive<sup>2</sup>, Schlochau-Branches<sup>1</sup>). She married **LIVING DEDERING**.

Living Dederling and Living Krause had the following child:

- 645. i. LIVING DEDERING (daughter of Living Dederling and Living Krause).

314. **DARNEL MARTIN<sup>9</sup> KRAUSE** (Carl Martin<sup>8</sup> Sr., Carl Theodore<sup>7</sup>, Herman Martin<sup>6</sup> Sr., Gggf<sup>5</sup>, ?-A<sup>4</sup>, Branch-One-A<sup>3</sup>, Haplogroup-I2a-F3744-Positive<sup>2</sup>, Schlochau-Branches<sup>1</sup>) was born on 16 February 1947 in Detroit, Wayne Co., MI. He married Patricia Ormsby date Unknown in ?. She was born on 22 October 1952 in Detroit, Wayne Co., MI.

Darnel Martin Krause and Patricia Ormsby had the following children:

- 646. i. LIVING KRAUSE (daughter of Darnel Martin Krause and Patricia Ormsby). She married (1) LIVING FORGASH. She married (2) LIVING WEBB.
- +647. ii. DARNEL MATTHEW KRAUSE (son of Darnel Martin Krause and Patricia Ormsby) was born on 26 November 1971 in Farmington Hills, Oakland Co., MI. He married Melissa Emigh date Unknown in ?. She was born date Unknown in ?.
- +648. iii. CONOR MARTIN KRAUSE (son of Darnel Martin Krause and Patricia Ormsby) was born on 23 September 1978 in Farmington Hills, Oakland Co., MI. He married Heather Martin date Unknown in ?. She was born date Unknown in ?.

315. **LELAND 'LEE' EDWARD<sup>9</sup> KRAUSE** (Carl Martin<sup>8</sup> Sr., Carl Theodore<sup>7</sup>, Herman Martin<sup>6</sup> Sr., Gggf<sup>5</sup>, ?-A<sup>4</sup>, Branch-One-A<sup>3</sup>, Haplogroup-I2a-F3744-Positive<sup>2</sup>, Schlochau-Branches<sup>1</sup>) was born on 10 June 1948 in Detroit, Wayne Co., MI. He married Susan K. ??? date Unknown in ?. She was born on 05 March 1949 in ?.

Leland 'Lee' Edward Krause and Susan K. ??? had the following child:

- 649. i. ALYSSA SUZANNE<sup>10</sup> KRAUSE (daughter of Leland 'Lee' Edward Krause and Susan K. ???) was born on 05 March in ?. She married ? Lathrop date Unknown in ?. He was born date Unknown in ?.

---

### Generation 5 (cont.)

316. **LIVING KRAUSE JR.** (Carl Martin<sup>8</sup> Sr., Carl Theodore<sup>7</sup>, Herman Martin<sup>6</sup> Sr., Gggf<sup>5</sup>, ?-A<sup>4</sup>, Branch-One-A<sup>3</sup>, Haplogroup-I2a-F3744-Positive<sup>2</sup>, Schlochau-Branches<sup>1</sup>). He married (1) **LIVING VINES**. He married (2) **LIVING NICHOLS**.  
Living Krause Jr. and Living Nichols had the following children:
- 650. i. LIVING KRAUSE (daughter of Living Krause Jr. and Living Nichols).
  - 651. ii. LIVING KRAUSE (daughter of Living Krause Jr. and Living Nichols).
317. **JEFFERY RAY<sup>9</sup> KRAUSE** (Carl Martin<sup>8</sup> Sr., Carl Theodore<sup>7</sup>, Herman Martin<sup>6</sup> Sr., Gggf<sup>5</sup>, ?-A<sup>4</sup>, Branch-One-A<sup>3</sup>, Haplogroup-I2a-F3744-Positive<sup>2</sup>, Schlochau-Branches<sup>1</sup>) was born on 07 April 1956 in Livonia, Wayne Co., MI. He married Patricia ??? date Unknown in ?. She was born about 1956 in Kittery, ME.  
Jeffery Ray Krause and Patricia ??? had the following child:
- 652. i. LIVING KRAUSE (daughter of Jeffery Ray Krause and Patricia ???).
318. **LIVING HAHN** (Living Krause, Carl Theodore<sup>7</sup> Krause, Herman Martin<sup>6</sup> Krause Sr., Gggf<sup>5</sup> Krause, Leonard). She married (1) **LIVING MORAN**. She married (2) **LIVING ???**.  
Living Moran and Living Hahn had the following children:
- 653. i. LIVING MORAN (daughter of Living Moran and Living Hahn).
  - 654. ii. LIVING MORAN (son of Living Moran and Living Hahn).
319. **LIVING HAHN** (Living Krause, Carl Theodore<sup>7</sup> Krause, Herman Martin<sup>6</sup> Krause Sr., Gggf<sup>5</sup> Krause, Leonard). She married **LIVING MAGGIO**.  
Living Maggio and Living Hahn had the following children:
- 655. i. LIVING MAGGIO (daughter of Living Maggio and Living Hahn). She married (1) LIVING ???. She married (2) LIVING ???.
  - 656. ii. LIVING MAGGIO (daughter of Living Maggio and Living Hahn). She married (1) LIVING ???. She married (2) LIVING ???.
320. **LIVING HAHN** (Living Krause, Carl Theodore<sup>7</sup> Krause, Herman Martin<sup>6</sup> Krause Sr., Gggf<sup>5</sup> Krause, Leonard). She married **LIVING WAGNER**.  
Living Wagner and Living Hahn had the following children:
- 657. i. LEE ALLEN PAUL<sup>10</sup> WAGNER (son of Living Wagner and Living Hahn) was born on 12 January 1980 in ?. He died on 23 November 1999 in ?.
  - 658. ii. LIVING WAGNER (son of Living Wagner and Living Hahn).
  - 659. iii. LIVING WAGNER (daughter of Living Wagner and Living Hahn).
325. **LIVING PLOWMAN** (Living Krause, Carl Theodore<sup>7</sup> Krause, Herman Martin<sup>6</sup> Krause Sr., Gggf<sup>5</sup> Krause, Living Jr., George 'Clifford' Sr.). He married **LIVING SCHMIDT**.  
Living Plowman and Living Schmidt had the following child:
- 660. i. LIVING PLOWMAN (daughter of Living Plowman and Living Schmidt).
326. **LIVING PLOWMAN** (Living Krause, Carl Theodore<sup>7</sup> Krause, Herman Martin<sup>6</sup> Krause Sr., Gggf<sup>5</sup> Krause, Living Jr., George 'Clifford' Sr.). She married **LIVING ROSENOW**.  
Living Rosenow and Living Plowman had the following children:
- +661. i. LIVING ROSENOW JR. (son of Living Rosenow and Living Plowman). He married VALERIE HOFFMAN. She was born date Unknown in ?.
  - +662. ii. LIVING ROSENOW (daughter of Living Rosenow and Living Plowman). She married TONY WYROBECK. He was born date Unknown in ?.
  - 663. iii. LIVING ROSENOW (son of Living Rosenow and Living Plowman).
  - +664. iv. LIVING ROSENOW (daughter of Living Rosenow and Living Plowman).
327. **LIVING PLOWMAN** (Living Krause, Carl Theodore<sup>7</sup> Krause, Herman Martin<sup>6</sup> Krause Sr., Gggf<sup>5</sup> Krause, Living Jr., George 'Clifford' Sr.). He married **LIVING ZWEIDINGER**.
-



---

### Generation 5 (cont.)

Living Plowman and Living Zweidinger had the following child:

665. i. LIVING PLOWMAN (son of Living Plowman and Living Zweidinger).

328. **LIVING PLOWMAN SR.** (Living Krause, Carl Theodore<sup>7</sup> Krause, Herman Martin<sup>6</sup> Krause Sr., Gggf<sup>5</sup> Krause, Living Jr., George 'Clifford' Sr.). He married **LIVING REMMEL**.

Living Plowman Sr. and Living Remmel had the following children:

666. i. LIVING PLOWMAN JR. (son of Living Plowman Sr. and Living Remmel).

667. ii. LIVING PLOWMAN (son of Living Plowman Sr. and Living Remmel).

+668. iii. LIVING PLOWMAN (daughter of Living Plowman Sr. and Living Remmel).

329. **LIVING PLOWMAN** (Living Krause, Carl Theodore<sup>7</sup> Krause, Herman Martin<sup>6</sup> Krause Sr., Gggf<sup>5</sup> Krause, Living Jr., George 'Clifford' Sr.). She married **LIVING HANLON**.

Living Hanlon and Living Plowman had the following children:

669. i. LIVING HANLON (son of Living Hanlon and Living Plowman).

670. ii. LIVING HANLON (son of Living Hanlon and Living Plowman).

---

### Generation 6

336. **WILLIAM HAL**<sup>10</sup> **MARKWARDT** (William August<sup>9</sup> Marquardt Jr., William 'Willie' August<sup>8</sup> Marquardt Sr., Augusta<sup>7</sup> Krause, Johann 'John'<sup>6</sup> Krause Sr., Gggf<sup>5</sup> Krause, William August<sup>9</sup> Marquardt Jr., William 'Willie' August<sup>8</sup> Marquardt Sr., William Marquardt) was born on 01 November 1956 in ?<sup>42</sup>. He married Jill K. Vanpelt date Unknown in ?. She was born on 31 May 1959 in ?<sup>32</sup>.

William Hal Markwardt and Jill K. Vanpelt had the following child:

671. i. LIVING MARKWARDT (son of William Hal Markwardt and Jill K. Vanpelt).

339. **LIVING LEROUX** (Dorothy Mae<sup>9</sup> Schneff, Ella Bertha<sup>8</sup> Krause, John<sup>7</sup> Krause Jr., Johann 'John'<sup>6</sup> Krause Sr., Gggf<sup>5</sup> Krause, Roland V.). He married **LIVING ???**.

Living Leroux and Living ??? had the following child:

672. i. LIVING LEROUX (son of Living Leroux and Living ???).

341. **JOHN HOWARD**<sup>10</sup> **KNICKREHM** (Howard Russell<sup>9</sup>, William H.<sup>8</sup>, Caroline 'Carrie' Johanna<sup>7</sup> Krause, Johann 'John'<sup>6</sup> Krause Sr., Gggf<sup>5</sup> Krause, Howard Russell<sup>9</sup>, William H.<sup>8</sup>, William H., Hans Heinrich Wilhelm, Wilhelm, ?, Root-Knickrehm) was born on 05 March 1940 in Elgin, Kane Co., IL. He died on 08 September 2009 in Colorado Springs, El Paso Co., CO. He married ? ???.

John Howard Knickrehm and ? ??? had the following children:

673. i. **DAU**<sup>11</sup> **KNICKREHM** (daughter of John Howard Knickrehm and ? ???).

+674. ii. **SON KNICKREHM** (son of John Howard Knickrehm and ? ???). He married ? ???.

343. **LIVING BULL** (LeRoy Lewis<sup>9</sup>, Emma Bertha<sup>8</sup> Knickrehm, Caroline 'Carrie' Johanna<sup>7</sup> Krause, Johann 'John'<sup>6</sup> Krause Sr., Gggf<sup>5</sup> Krause, LeRoy Lewis<sup>9</sup>, Lewis William, August). He married **LIVING SMEAD**.

Living Bull and Living Smead had the following child:

675. i. LIVING BULL (daughter of Living Bull and Living Smead).

349. **LIVING KRAUSE** (Living, Edwin Henry<sup>8</sup>, Carl 'Charlie' Gustav William<sup>7</sup>, Johann 'John'<sup>6</sup> Sr., Gggf<sup>5</sup>, ?-A<sup>4</sup>, Branch-One-A<sup>3</sup>, Haplogroup-I2a-F3744-Positive<sup>2</sup>, Schlochau-Branches<sup>1</sup>). She married **LIVING WANNOP** (son of Rodney Howard William Wannop and Alice Louise Ritchie).

Living Wannop and Living Krause had the following children:

676. i. LIVING WANNOP (son of Living Wannop and Living Krause). He married LIVING BAUER (daughter of Steve Bauer and Kathy Moon).

677. ii. LIVING WANNOP (son of Living Wannop and Living Krause).

678. iii. LIVING WANNOP (son of Living Wannop and Living Krause).

350. **LIVING KRAUSE** (Living, Edwin Henry<sup>8</sup>, Carl 'Charlie' Gustav William<sup>7</sup>, Johann 'John'<sup>6</sup> Sr., Gggf<sup>5</sup>,
-

---

### Generation 6 (cont.)

?-A<sup>4</sup>, Branch-One-A<sup>3</sup>, Haplogroup-I2a-F3744-Positive<sup>2</sup>, Schlochau-Branches<sup>1</sup>). He married **LIVING DUDAR** (daughter of William Henry Dudar and Adeline Elizabeth Syrnyk).

Living Krause and Living Dudar had the following children:

- 679. i. LIVING KRAUSE (son of Living Krause and Living Dudar). He met LIVING KAUFMAN (daughter of Living Kaufman and Living Lennox).
- 680. ii. LIVING KRAUSE (daughter of Living Krause and Living Dudar). She met LIVING DULABA (son of Living Dulaba and Living Tapper).

353. **LIVING BRUCE** (Living Krause, Edwin Henry<sup>8</sup> Krause, Carl 'Charlie' Gustav William<sup>7</sup> Krause, Johann 'John'<sup>6</sup> Krause Sr., Gggf<sup>5</sup> Krause, Glenn 'Garry', Glenn Carnegie, Fred, George). She married **LIVING HENNINGSEN**.

Living Henningsen and Living Bruce had the following children:

- 681. i. LIVING HENNINGSEN (daughter of Living Henningsen and Living Bruce). She married LIVING JOHNSON.
- 682. ii. LIVING HENNINGSEN (daughter of Living Henningsen and Living Bruce).

355. **LIVING MCINTYRE** (Barbara Anne<sup>9</sup> Krause, Edwin Henry<sup>8</sup> Krause, Carl 'Charlie' Gustav William<sup>7</sup> Krause, Johann 'John'<sup>6</sup> Krause Sr., Gggf<sup>5</sup> Krause, Living, Neil, Frederick, George Jr., George M. Sr., Hugh Sr., David Sr., Branch-One, Root-McIntyre). He married **LIVING SWANSON** (daughter of Living Swanson and Living Lougheed).

Living McIntyre and Living Swanson had the following children:

- 683. i. LIVING MCINTYRE (daughter of Living McIntyre and Living Swanson).
- 684. ii. LIVING MCINTYRE (son of Living McIntyre and Living Swanson).

357. **LIVING WINKLER** (Carl Walter<sup>9</sup>, Annie Amelia Caroline<sup>8</sup> Krause, Carl 'Charlie' Gustav William<sup>7</sup> Krause, Johann 'John'<sup>6</sup> Krause Sr., Gggf<sup>5</sup> Krause, Carl Walter<sup>9</sup>, Walter, Rudolf Gottlieb). She married **LIVING DONLEY**.

Living Donley and Living Winkler had the following children:

- 685. i. LIVING DONLEY (son of Living Donley and Living Winkler).
- 686. ii. LIVING DONLEY (daughter of Living Donley and Living Winkler).

358. **LIVING WINKLER** (Carl Walter<sup>9</sup>, Annie Amelia Caroline<sup>8</sup> Krause, Carl 'Charlie' Gustav William<sup>7</sup> Krause, Johann 'John'<sup>6</sup> Krause Sr., Gggf<sup>5</sup> Krause, Carl Walter<sup>9</sup>, Walter, Rudolf Gottlieb). She married **LIVING BURTON**.

Living Burton and Living Winkler had the following children:

- +687. i. LIVING BURTON (daughter of Living Burton and Living Winkler). She married LIVING FRY (son of Leslie Allan Fry and ? McGonigle).
- 688. ii. LIVING BURTON (son of Living Burton and Living Winkler).

359. **LIVING WINKLER** (Carl Walter<sup>9</sup>, Annie Amelia Caroline<sup>8</sup> Krause, Carl 'Charlie' Gustav William<sup>7</sup> Krause, Johann 'John'<sup>6</sup> Krause Sr., Gggf<sup>5</sup> Krause, Carl Walter<sup>9</sup>, Walter, Rudolf Gottlieb). He married (1) **LIVING RZESZOWSKA**. He married (2) **LIVING BRANDON** (daughter of Living Brandon and Living Chelsberg).

Living Winkler and Living Rzeszowska had the following children:

- +689. i. LIVING WINKLER (daughter of Living Winkler and Living Rzeszowska). She married LIVING OWEN.
- +690. ii. LIVING WINKLER (daughter of Living Winkler and Living Rzeszowska). She married LIVING ATKINSON.

360. **LIVING BLANCHARD** (Lois 'Elaine'<sup>9</sup> Winkler, Annie Amelia Caroline<sup>8</sup> Krause, Carl 'Charlie' Gustav William<sup>7</sup> Krause, Johann 'John'<sup>6</sup> Krause Sr., Gggf<sup>5</sup> Krause, Hubert Jacques, Charles Emile). She married **RANDY JAMES YOUNG** (son of Harvey Otis Young and Edith Margurite Graves). He was born on 27 August 1952 in Moose Jaw, Saskatchewan, Canada. He died on 20 May 1994.

Notes for Randy James Young:

---

### Generation 6 (cont.)

YOUNG Mr. Randall Young of Parkbeg, Sask., passed away on Friday, May 20, 1994 at the age of 41 years. Randy was born August 27, 1942 and attended Edgehill School and Mortlach High School. He enjoyed hockey, baseball, and all sports. Randy belonged to the Jets Baseball Team of Parkbeg and was a member of the Parkland Kinsmen. Many will remember Randy as "Chum". After working for Coco-Cola Bottling Company, he farmed for 17 years in the Edgehill District. Predeceased by his father, Harvey. He is survived by his mother, Edith; daughters, Heather, Nicole, and Andrea; sister, Bev (Ralph) Austin Parkbeg; brother, George; and several cousins, nieces, and nephews. Funeral Services will be held at W.J. Jones & Son Funeral Chapel Tuesday May 24, 1994 at 1:30 pm.. Doris Watt of the Mortlach United Church will officiate. Interment will follow at the Family Plot, Sunset Cemetery. Memorials to the Sask. Heart and Stroke Foundation, Box 521, Moose Jaw, would be appreciated. Donald Jones Funeral Director. 1-693-4644.

From "The Leader Post, Regina, Sask, 21 May 1994, p53"

Randy James Young and Living Blanchard had the following children:

- 691. i. LIVING YOUNG (daughter of Randy James Young and Living Blanchard). She married LIVING SARITSON.
- 692. ii. LIVING YOUNG (son of Randy James Young and Living Blanchard). He married KIM WILHELM.

362. **LIVING BLANCHARD** (Lois 'Elaine'<sup>9</sup> Winkler, Annie Amelia Caroline<sup>8</sup> Krause, Carl 'Charlie' Gustav William<sup>7</sup> Krause, Johann 'John'<sup>6</sup> Krause Sr., Gggf<sup>5</sup> Krause, Hubert Jacques, Charles Emile). He married **LIVING GARDNER** (daughter of Living Gardner and Living Rogerson).

Living Blanchard and Living Gardner had the following children:

- 693. i. LIVING BLANCHARD (daughter of Living Blanchard and Living Gardner).
- 694. ii. LIVING BLANCHARD (daughter of Living Blanchard and Living Gardner).
- 695. iii. LIVING BLANCHARD (son of Living Blanchard and Living Gardner).

364. **LIVING WINKLER-HARRIS** (Living Winkler, Annie Amelia Caroline<sup>8</sup> Krause, Carl 'Charlie' Gustav William<sup>7</sup> Krause, Johann 'John'<sup>6</sup> Krause Sr., Gggf<sup>5</sup> Krause, Living Harris, John Donald 'Jack' Harris, John Donald Harris, Thomas Harris). She married **LIVING HUNCHUK** (son of Living Hunchuk and Living Thompson).

Living Hunchuk and Living Winkler-Harris had the following children:

- 696. i. LIVING HUNCHUK (daughter of Living Hunchuk and Living Winkler-Harris).
- 697. ii. LIVING HUNCHUK (daughter of Living Hunchuk and Living Winkler-Harris).

373. **LIVING KRAUSE** (Charles Albert<sup>9</sup>, Albert Carl<sup>8</sup>, Carl 'Charlie' Gustav William<sup>7</sup>, Johann 'John'<sup>6</sup> Sr., Gggf<sup>5</sup>, ?-A<sup>4</sup>, Branch-One-A<sup>3</sup>, Haplogroup-I2a-F3744-Positive<sup>2</sup>, Schlochau-Branches<sup>1</sup>). She married **LIVING TIMMONS** (son of Edward Patrick Timmons and Margaret Josephine Allan).

Living Timmons and Living Krause had the following children:

- 698. i. LIVING KRAUSE (son of Living Timmons and Living Krause).
- 699. ii. MELISSA DEIRDRE KRAUSE (daughter of Living Timmons and Living Krause) was born on 02 January 1986 in Moose Jaw, Saskatchewan. She died on 25 May 1986.
- 700. iii. LIVING TIMMONS (daughter of Living Timmons and Living Krause).

374. **LIVING KRAUSE** (Charles Albert<sup>9</sup>, Albert Carl<sup>8</sup>, Carl 'Charlie' Gustav William<sup>7</sup>, Johann 'John'<sup>6</sup> Sr., Gggf<sup>5</sup>, ?-A<sup>4</sup>, Branch-One-A<sup>3</sup>, Haplogroup-I2a-F3744-Positive<sup>2</sup>, Schlochau-Branches<sup>1</sup>). He married (1) **LIVING CRONE** (daughter of Arthur Crone and Martha Reineke). He married (2) **LIVING STRAND** (daughter of Living Strand and Living Wingert).

Living Krause and Living Crone had the following children:

- 701. i. LIVING KRAUSE (son of Living Krause and Living Crone).
- 702. ii. LIVING KRAUSE (son of Living Krause and Living Crone).

375. **LIVING WILKINSON** (Betty Ann Irene<sup>9</sup> Krause, Albert Carl<sup>8</sup> Krause, Carl 'Charlie' Gustav William<sup>7</sup>

---

### Generation 6 (cont.)

Krause, Johann 'John'<sup>6</sup> Krause Sr., Gggf<sup>5</sup> Krause, Living, George William Willkinson). He married **LIVING SHORE** (daughter of Living Shore and Ursula Marriane Witt).

Living Wilkinson and Living Shore had the following children:

- 703. i. LIVING WILKINSON (daughter of Living Wilkinson and Living Shore).
- 704. ii. LIVING WILKINSON (son of Living Wilkinson and Living Shore).
- 705. iii. LIVING WILKINSON (daughter of Living Wilkinson and Living Shore).
- 706. iv. LIVING WILKINSON (son of Living Wilkinson and Living Shore).

376. **LIVING WILKINSON** (Betty Ann Irene<sup>9</sup> Krause, Albert Carl<sup>8</sup> Krause, Carl 'Charlie' Gustav William<sup>7</sup> Krause, Johann 'John'<sup>6</sup> Krause Sr., Gggf<sup>5</sup> Krause, Living, George William Willkinson). She married **LIVING MCNABB** (son of Russell James McNabb and Elaine Theresa Rose Gieger).

Living McNabb and Living Wilkinson had the following child:

- +707. i. LIVING MCNABB (daughter of Living McNabb and Living Wilkinson). She married LIVING ???.

380. **MICHAEL**<sup>10</sup> **LANG** (Marvin William<sup>9</sup>, Minnie B.<sup>8</sup> Lorenz, Hulda Wilhelmine<sup>7</sup> Krause, Johann 'John'<sup>6</sup> Krause Sr., Gggf<sup>5</sup> Krause, Marvin William<sup>9</sup>, Walter Clarence e, John F. Lange, Joachim Lange, Frederick Lange, Branch-One Lange, Root-Lange). He married ? **WEIDENBACH**.

Michael Lang and ? Weidenbach had the following child:

- 708. i. JENNIFER<sup>11</sup> LANG (daughter of Michael Lang and ? Weidenbach). She married ? MOROCHO.

399. **LIVING FOX** (Living Rawe, Eva Martha<sup>8</sup> Lorenz, Hulda Wilhelmine<sup>7</sup> Krause, Johann 'John'<sup>6</sup> Krause Sr., Gggf<sup>5</sup> Krause, Living, Gaylord Wayne, William Dill). She married **LIVING HURLIMAN** (son of Living Hurliman and Living Zogg).

Living Hurliman and Living Fox had the following children:

- 709. i. LIVING HURLIMAN (son of Living Hurliman and Living Fox).
- 710. ii. LIVING HURLIMAN (daughter of Living Hurliman and Living Fox).

401. **LIVING FOX** (Living Rawe, Eva Martha<sup>8</sup> Lorenz, Hulda Wilhelmine<sup>7</sup> Krause, Johann 'John'<sup>6</sup> Krause Sr., Gggf<sup>5</sup> Krause, Living, Gaylord Wayne, William Dill). He married **LIVING DESWART**.

Living Fox and Living DeSwart had the following child:

- 711. i. LIVING FOX (son of Living Fox and Living DeSwart).

406. **KAREN LYNN**<sup>10</sup> **RICHLINSKI** (Viola Vivian<sup>9</sup> Slawson, Elsie Florence<sup>8</sup> Natzel, Theodore Albert<sup>7</sup> Natzel, Wilhelmina 'Minnie'<sup>6</sup> Krause, Gggf<sup>5</sup> Krause, Edward) was born on 04 September 1951 in Chicago, Cook Co., IL. She died on 21 February 2011 in Ashland, Boyd, Kentucky, USA. She married **LIVING JOHNSON** (son of Charlie Johnson and Edith Martin).

Notes for Karen Lynn Richlinski:

Karen Lynn Richlinski Johnson

Birth 4 Sep 1951

Chicago, Cook County, Illinois, USA

Death 21 Feb 2011 (aged 59)

Ashland, Boyd County, Kentucky, USA

Burial Cremated, Location of ashes is unknown

Karen Lynn Johnson

Born September 4, 1951

Died February 21, 2011

Name: Karen Lynn Johnson Age: 59 of: Topmost, Kentucky

Date of Birth: September 4, 1951 Where: Chicago, Illinois

---

---

## Generation 6 (cont.)

Date of Death: Monday, February 21, 2011

Where: King-s Daughters Medical Center, Ashland, Kentucky

Facts of Importance: Disabled Manger for Walmart

Parents: Daughter of Thomas Richlinski & Viola Sluthson Richlinski

Husband or Wife: Wife of Emmitt Johnson

Other Survivors: Husband; One Son: Emmitt Johnson Jr. of Chicago, Illinois; Two Daughters: Tina Marie Mitchell Nicoline and Bobbie Jean Robert Burns both of Chicago, Illinois; Seven Grandchildren: Vincent, Raven, Samantha, Joshua, Dennis, Daniel & Krystal; A Host of family & Friends

Living Johnson and Karen Lynn Richlinski had the following children:

- 712. i. LIVING JOHNSON JR. (son of Living Johnson and Karen Lynn Richlinski).
- 713. ii. LIVING JOHNSON (daughter of Living Johnson and Karen Lynn Richlinski).
- 714. iii. LIVING JOHNSON (daughter of Living Johnson and Karen Lynn Richlinski).

408. **ANNETTE**<sup>10</sup> **TYRE** (Theodore Robert<sup>9</sup>, Clara Stella<sup>8</sup> Natzel, Theodore Albert<sup>7</sup> Natzel, Wilhelmina 'Minnie'<sup>6</sup> Krause, Gggf<sup>5</sup> Krause, Theodore Robert<sup>9</sup>, Leroy Peter, Paris Sylvester, John) was born date Unknown in ?. She married Ronald 'Ron' Allen date Unknown in ?. He was born date Unknown in ?.

Ronald 'Ron' Allen and Annette Tyre had the following children:

- 715. i. **DAU**<sup>11</sup> **ALLEN** (daughter of Ronald 'Ron' Allen and Annette Tyre).
- 716. ii. **CRAIG MICHAEL ALLEN** (son of Ronald 'Ron' Allen and Annette Tyre) was born on 27 January 1979. He died on 17 July 2009 in St. Cloud, MN.

409. **LIVING TYRE** (Theodore Robert<sup>9</sup>, Clara Stella<sup>8</sup> Natzel, Theodore Albert<sup>7</sup> Natzel, Wilhelmina 'Minnie'<sup>6</sup> Krause, Gggf<sup>5</sup> Krause, Theodore Robert<sup>9</sup>, Leroy Peter, Paris Sylvester, John). She married (1) **DONALD MICHAEL COX**. He was born on 17 October 1949 in IL<sup>34</sup>. He died on 08 April 2012 in Porter Co., IN. She married (2) **LIVING MERGL**.

Donald Michael Cox and Living Tyre had the following child:

- +717. i. **LIVING COX** (daughter of Donald Michael Cox and Living Tyre). She married **LIVING DUCAN**.

413. **JAY SCOTT**<sup>10</sup> **VARALLO** (Barbara Marie<sup>9</sup> Seidelmann, August John<sup>8</sup> Seidelmann, Louise Elizabeth<sup>7</sup> Natzel, Wilhelmina 'Minnie'<sup>6</sup> Krause, Gggf<sup>5</sup> Krause, Frank Dominick Jr.) was born on 09 August 1963 in Chicago, Cook Co., IL. He died on 21 May 2014 in Little River, Montgomery, North Carolina, USA. He married **SHEILA BARBOUR**.

Jay Scott Varallo and Sheila Barbour had the following child:

- 718. i. **DOMINICK**<sup>11</sup> **VARALLO** (son of Jay Scott Varallo and Sheila Barbour) was born on 12 March 1989. He died on 30 October 2014 in Myrtle Beach, Horry Co., SC.

414. **JENNIFER ANNE**<sup>10</sup> **SEIDELMANN** (James H.<sup>9</sup>, August John<sup>8</sup>, Louise Elizabeth<sup>7</sup> Natzel, Wilhelmina 'Minnie'<sup>6</sup> Krause, Gggf<sup>5</sup> Krause, James H.<sup>9</sup>, August John<sup>8</sup>, August, John) was born on 21 March 1973 in Chicago, Cook Co., IL. She died on 30 August 2009 in Raleigh, Wake Co., NC. She married **LIVING ANDREWS** (son of Joseph Andrews and Mary ???).

Notes for Jennifer Anne Seidelmann:

Jennifer Anne Seidelmann Andrews RALEIGH Jennifer Anne Seidelmann Andrews 36 of Raleigh passed away at 10:59 pm on Monday August 31st at oDuke University Hospital surrounded by her family and friends -4 A service of celebration of her life will be held Friday September 4th at 1:00 pm at Grace Lutheran Church 5010 Six Forks Road in Raleigh with Pastqr Michael Frye officiating Jennifer was born on March 21 1973 in Maywood Illinois daughter of James and Antoinette Seidelmann formerly of Oak Park IL now of Moneta VA She is survived by her husband Patrick

---

### Generation 6 (cont.)

(PJ) son Justin parents James and Antoinette Seidelmann sister Elizabeth (Jack) Bataoel nephew and niece Zachary and Marion Bataoel in-laws Joseph and Mary Andrews Casey (Willie) Byrne niece Rose Byrne Becca Andrews and numerous aunts uncles cousins and friends Jennifer was an amazing mother wife daughter sister auntie and friend She loved spending time with people the outdoors reading fishing photography movies theatre acting writing the ocean spending time with her family and of course watching Steelers football and Hurricanes Hockey games Jenny and PJ always opened their home for family friends and neighborhood celebrations She was involved in her neighborhood on many levels including organizing a yearly turkey bowl on Thanksgiving morning As a real estate agent Jennifer was devoted to treating her clients like family In her short 36 years she touched many lives with her caring spirit and devotion to helping others Jen had a very strong faith knowing even throughout her illness that God had a plan for her whatever that might be. Jenny was a beautiful young woman and her internal beauty was equally amazing The family would like to extend their extreme gratitude to all of Jennifer's caregivers at Duke University Medical Center for all they have done for her for the past 16 months and beyond In lieu of flowers please send memorial gifts to the Jennifer Andrews Family Trust c/o Scott Moesta 8366 Six Forks Rd Ste 104 Raleigh NC 27615 or to The Duke Liver Research Fund do Andrew Muir DUMC Box 3913 Durham NC 27710

Living Andrews and Jennifer Anne Seidelmann had the following child:

719. i. LIVING ANDREWS (son of Living Andrews and Jennifer Anne Seidelmann).

415. **ELIZABETH**<sup>10</sup> **SEIDELMANN** (James H.<sup>9</sup>, August John<sup>8</sup>, Louise Elizabeth<sup>7</sup> Natzel, Wilhelmina 'Minnie'<sup>6</sup> Krause, Gggf<sup>5</sup> Krause, James H.<sup>9</sup>, August John<sup>8</sup>, August, John). She married **JACK BATAOEL**.

Jack Bataoel and Elizabeth Seidelmann had the following children:

720. i. ZACHARY<sup>11</sup> BATAOEL (son of Jack Bataoel and Elizabeth Seidelmann).

721. ii. MARION BATAOEL (daughter of Jack Bataoel and Elizabeth Seidelmann).

419. **LIVING COE** (Mavis Edith<sup>9</sup> Beattie, Edith Mabel<sup>8</sup> Dexter, Caroline 'Lena'<sup>7</sup> Krause, Herman Martin<sup>6</sup> Krause Sr., Gggf<sup>5</sup> Krause, Ralph, ?-4, Br-04, Root-Coe). He married **LIVING ???**.

Living Coe and Living ??? had the following children:

722. i. LIVING COE (son of Living Coe and Living ???).

723. ii. LIVING COE (daughter of Living Coe and Living ???).

724. iii. LIVING COE (son of Living Coe and Living ???).

725. iv. LIVING COE (son of Living Coe and Living ???).

726. v. LIVING COE (son of Living Coe and Living ???).

420. **LIVING COE** (Mavis Edith<sup>9</sup> Beattie, Edith Mabel<sup>8</sup> Dexter, Caroline 'Lena'<sup>7</sup> Krause, Herman Martin<sup>6</sup> Krause Sr., Gggf<sup>5</sup> Krause, Ralph, ?-4, Br-04, Root-Coe). She married **LIVING BLINK**.

Living Blink and Living Coe had the following children:

+727. i. LIVING BLINK (son of Living Blink and Living Coe). He married LIVING ???.

728. ii. LIVING BLINK (son of Living Blink and Living Coe). He married LIVING ???.

421. **LIVING COE** (Mavis Edith<sup>9</sup> Beattie, Edith Mabel<sup>8</sup> Dexter, Caroline 'Lena'<sup>7</sup> Krause, Herman Martin<sup>6</sup> Krause Sr., Gggf<sup>5</sup> Krause, Ralph, ?-4, Br-04, Root-Coe). She married **LIVING SCHULKE**.

Living Schulke and Living Coe had the following children:

729. i. LIVING SCHULKE (son of Living Schulke and Living Coe).

730. ii. LIVING SCHULKE (daughter of Living Schulke and Living Coe).

422. **LIVING COE** (Mavis Edith<sup>9</sup> Beattie, Edith Mabel<sup>8</sup> Dexter, Caroline 'Lena'<sup>7</sup> Krause, Herman Martin<sup>6</sup> Krause Sr., Gggf<sup>5</sup> Krause, Ralph, ?-4, Br-04, Root-Coe). He married **LIVING ???**.

Living Coe and Living ??? had the following children:

731. i. LIVING COE (daughter of Living Coe and Living ???).

732. ii. LIVING COE (daughter of Living Coe and Living ???).

---

### Generation 6 (cont.)

423. **LIVING COE** (Mavis Edith<sup>9</sup> Beattie, Edith Mabel<sup>8</sup> Dexter, Caroline 'Lena'<sup>7</sup> Krause, Herman Martin<sup>6</sup> Krause Sr., Gggf<sup>5</sup> Krause, Ralph, ?-4, Br-04, Root-Coe). He married **LIVING ???**.  
Living Coe and Living ??? had the following children:
- 733. i. LIVING COE (son of Living Coe and Living ???).
  - 734. ii. LIVING COE (son of Living Coe and Living ???).
424. **LIVING COE** (Mavis Edith<sup>9</sup> Beattie, Edith Mabel<sup>8</sup> Dexter, Caroline 'Lena'<sup>7</sup> Krause, Herman Martin<sup>6</sup> Krause Sr., Gggf<sup>5</sup> Krause, Ralph, ?-4, Br-04, Root-Coe). She married **LIVING ORT**.  
Living Ort and Living Coe had the following children:
- +735. i. LIVING ORT (daughter of Living Ort and Living Coe). She married LIVING KIETZMAN.
  - +736. ii. LIVING ORT (daughter of Living Ort and Living Coe). She married LIVING BUNTING.
  - 737. iii. LIVING ORT (daughter of Living Ort and Living Coe).
  - 738. iv. LIVING ORT (son of Living Ort and Living Coe).
425. **LIVING COE** (Mavis Edith<sup>9</sup> Beattie, Edith Mabel<sup>8</sup> Dexter, Caroline 'Lena'<sup>7</sup> Krause, Herman Martin<sup>6</sup> Krause Sr., Gggf<sup>5</sup> Krause, Ralph, ?-4, Br-04, Root-Coe). He married **LIVING ???**.  
Living Coe and Living ??? had the following children:
- 739. i. LIVING COE (son of Living Coe and Living ???).
  - 740. ii. LIVING COE (daughter of Living Coe and Living ???).
  - 741. iii. LIVING COE (daughter of Living Coe and Living ???).
427. **LIVING LUTZ** (Doris<sup>9</sup> Beattie, Edith Mabel<sup>8</sup> Dexter, Caroline 'Lena'<sup>7</sup> Krause, Herman Martin<sup>6</sup> Krause Sr., Gggf<sup>5</sup> Krause, Lawrence Albert). She married **LIVING HENRY**.  
Living Henry and Living Lutz had the following children:
- +742. i. LIVING HENRY (son of Living Henry and Living Lutz). He married LIVING ???.
  - 743. ii. LIVING HENRY (son of Living Henry and Living Lutz). He married LIVING ???.
428. **LIVING LUTZ** (Doris<sup>9</sup> Beattie, Edith Mabel<sup>8</sup> Dexter, Caroline 'Lena'<sup>7</sup> Krause, Herman Martin<sup>6</sup> Krause Sr., Gggf<sup>5</sup> Krause, Lawrence Albert). She married **LIVING GUERIN**.  
Living Guerin and Living Lutz had the following children:
- +744. i. LIVING GUERIN (daughter of Living Guerin and Living Lutz). She married LIVING MORRINELLI.
  - 745. ii. LIVING GUERIN (daughter of Living Guerin and Living Lutz).
  - 746. iii. LIVING GUERIN (daughter of Living Guerin and Living Lutz).
430. **LIVING LUTZ** (Doris<sup>9</sup> Beattie, Edith Mabel<sup>8</sup> Dexter, Caroline 'Lena'<sup>7</sup> Krause, Herman Martin<sup>6</sup> Krause Sr., Gggf<sup>5</sup> Krause, Lawrence Albert). She married **LIVING LEMONT**.  
Living Lemont and Living Lutz had the following children:
- 747. i. LIVING LEMONT (daughter of Living Lemont and Living Lutz).
  - 748. ii. LIVING LEMONT (son of Living Lemont and Living Lutz).
  - 749. iii. LIVING LEMONT (son of Living Lemont and Living Lutz).
  - 750. iv. LIVING LEMONT (son of Living Lemont and Living Lutz).
431. **LIVING BEATTIE** (George<sup>9</sup> Jr., Edith Mabel<sup>8</sup> Dexter, Caroline 'Lena'<sup>7</sup> Krause, Herman Martin<sup>6</sup> Krause Sr., Gggf<sup>5</sup> Krause, George<sup>9</sup> Jr., George Rufus Sr.). He married **LIVING ???**.  
Living Beattie and Living ??? had the following children:
- 751. i. LIVING BEATTIE (son of Living Beattie and Living ???).
  - 752. ii. LIVING BEATTIE (son of Living Beattie and Living ???).
  - 753. iii. LIVING BEATTIE (son of Living Beattie and Living ???).
-

---

### Generation 6 (cont.)

754. iv. LIVING BEATTIE (daughter of Living Beattie and Living ???).
432. **LIVING BEATTIE** (George<sup>9</sup> Jr., Edith Mabel<sup>8</sup> Dexter, Caroline 'Lena'<sup>7</sup> Krause, Herman Martin<sup>6</sup> Krause Sr., Gggf<sup>5</sup> Krause, George<sup>9</sup> Jr., George Rufus Sr.). She married **LIVING WETTENGAL**. Living Wettengal and Living Beattie had the following children:
755. i. LIVING WETTENGAL (son of Living Wettengal and Living Beattie).
756. ii. LIVING WETTENGAL (daughter of Living Wettengal and Living Beattie).
434. **JOHN WILLIAM<sup>10</sup> BEATTIE JR.** (John William<sup>9</sup> Sr., Edith Mabel<sup>8</sup> Dexter, Caroline 'Lena'<sup>7</sup> Krause, Herman Martin<sup>6</sup> Krause Sr., Gggf<sup>5</sup> Krause, John William<sup>9</sup> Sr., George Rufus Sr.) was born on 20 October 1950. He died on 03 June 1984. He married **LIVING ???**. John William Beattie Jr. and Living ??? had the following children:
757. i. JEFF<sup>11</sup> BEATTIE (son of John William Beattie Jr. and Living ???) was born on 13 January 1976. He died on 02 May 1976.
758. ii. LIVING BEATTIE (daughter of John William Beattie Jr. and Living ???).
759. iii. LIVING BEATTIE (daughter of John William Beattie Jr. and Living ???).
760. iv. LIVING BEATTIE (son of John William Beattie Jr. and Living ???).
435. **LIVING BEATTIE** (John William<sup>9</sup> Sr., Edith Mabel<sup>8</sup> Dexter, Caroline 'Lena'<sup>7</sup> Krause, Herman Martin<sup>6</sup> Krause Sr., Gggf<sup>5</sup> Krause, John William<sup>9</sup> Sr., George Rufus Sr.). She married **LIVING BROCKWAY**. Living Brockway and Living Beattie had the following children:
761. i. LIVING BROCKWAY (daughter of Living Brockway and Living Beattie).
762. ii. LIVING BROCKWAY (son of Living Brockway and Living Beattie).
437. **LIVING BEATTIE** (John William<sup>9</sup> Sr., Edith Mabel<sup>8</sup> Dexter, Caroline 'Lena'<sup>7</sup> Krause, Herman Martin<sup>6</sup> Krause Sr., Gggf<sup>5</sup> Krause, John William<sup>9</sup> Sr., George Rufus Sr.). She married **LIVING SKINKIS**. Living Skinkis and Living Beattie had the following children:
763. i. LIVING SKINKIS (daughter of Living Skinkis and Living Beattie).
764. ii. LIVING SKINKIS (daughter of Living Skinkis and Living Beattie).
765. iii. LIVING SKINKIS (daughter of Living Skinkis and Living Beattie).
766. iv. LIVING SKINKIS (son of Living Skinkis and Living Beattie).
767. v. LIVING SKINKIS (son of Living Skinkis and Living Beattie).
438. **LIVING BEATTIE** (John William<sup>9</sup> Sr., Edith Mabel<sup>8</sup> Dexter, Caroline 'Lena'<sup>7</sup> Krause, Herman Martin<sup>6</sup> Krause Sr., Gggf<sup>5</sup> Krause, John William<sup>9</sup> Sr., George Rufus Sr.). She married **LIVING KOVACH**. Living Kovach and Living Beattie had the following children:
768. i. LIVING KOVACH (daughter of Living Kovach and Living Beattie).
769. ii. LIVING KOVACH (daughter of Living Kovach and Living Beattie).
439. **LIVING BEATTIE** (John William<sup>9</sup> Sr., Edith Mabel<sup>8</sup> Dexter, Caroline 'Lena'<sup>7</sup> Krause, Herman Martin<sup>6</sup> Krause Sr., Gggf<sup>5</sup> Krause, John William<sup>9</sup> Sr., George Rufus Sr.). He married (1) **LIVING ???**. He married (2) **LIVING ???**. Living Beattie and Living ??? had the following child:
770. i. LIVING BEATTIE (son of Living Beattie and Living ???).
- Living Beattie and Living ??? had the following children:
771. i. LIVING BEATTIE (son of Living Beattie and Living ???).
772. ii. LIVING BEATTIE (son of Living Beattie and Living ???).
773. iii. LIVING BEATTIE (daughter of Living Beattie and Living ???).
774. iv. LIVING BEATTIE (daughter of Living Beattie and Living ???).
-



---

**Generation 6 (cont.)**

440. **LIVING BEATTIE** (John William<sup>9</sup> Sr., Edith Mabel<sup>8</sup> Dexter, Caroline 'Lena'<sup>7</sup> Krause, Herman Martin<sup>6</sup> Krause Sr., Gggf<sup>5</sup> Krause, John William<sup>9</sup> Sr., George Rufus Sr.). He married **LIVING DE BRUE**.  
Living Beattie and Living De Brue had the following children:
- 775. i. LIVING BEATTIE (son of Living Beattie and Living De Brue).
  - 776. ii. LIVING BEATTIE (son of Living Beattie and Living De Brue).
441. **LIVING BEATTIE** (John William<sup>9</sup> Sr., Edith Mabel<sup>8</sup> Dexter, Caroline 'Lena'<sup>7</sup> Krause, Herman Martin<sup>6</sup> Krause Sr., Gggf<sup>5</sup> Krause, John William<sup>9</sup> Sr., George Rufus Sr.). She married **LIVING ???**.  
Living ??? and Living Beattie had the following child:
- 777. i. LIVING ??? (daughter of Living ??? and Living Beattie).
442. **LIVING BEATTIE** (John William<sup>9</sup> Sr., Edith Mabel<sup>8</sup> Dexter, Caroline 'Lena'<sup>7</sup> Krause, Herman Martin<sup>6</sup> Krause Sr., Gggf<sup>5</sup> Krause, John William<sup>9</sup> Sr., George Rufus Sr.). She married **LIVING SKINKIS**.  
Living Skinkis and Living Beattie had the following children:
- 778. i. LIVING SKINKIS (son of Living Skinkis and Living Beattie).
  - 779. ii. LIVING SKINKIS (daughter of Living Skinkis and Living Beattie).
  - 780. iii. LIVING SKINKIS (daughter of Living Skinkis and Living Beattie).
  - 781. iv. LIVING SKINKIS (son of Living Skinkis and Living Beattie).
443. **LIVING BEATTIE** (Living, Edith Mabel<sup>8</sup> Dexter, Caroline 'Lena'<sup>7</sup> Krause, Herman Martin<sup>6</sup> Krause Sr., Gggf<sup>5</sup> Krause, Living, George Rufus Sr.). She married **LIVING KURTZ**.  
Living Kurtz and Living Beattie had the following children:
- +782. i. LIVING KURTZ (daughter of Living Kurtz and Living Beattie). She married LIVING DORDEL.
  - 783. ii. LIVING KURTZ (son of Living Kurtz and Living Beattie).
  - 784. iii. LIVING KURTZ (son of Living Kurtz and Living Beattie).
444. **LIVING BEATTIE** (Living, Edith Mabel<sup>8</sup> Dexter, Caroline 'Lena'<sup>7</sup> Krause, Herman Martin<sup>6</sup> Krause Sr., Gggf<sup>5</sup> Krause, Living, George Rufus Sr.). He married (1) **LIVING ???**. He married (2) **LIVING ???**.  
Living Beattie and Living ??? had the following children:
- 785. i. LIVING BEATTIE (son of Living Beattie and Living ???).
  - 786. ii. LIVING BEATTIE (son of Living Beattie and Living ???).
  - 787. iii. LIVING BEATTIE (daughter of Living Beattie and Living ???).
445. **LIVING BEATTIE** (Living, Edith Mabel<sup>8</sup> Dexter, Caroline 'Lena'<sup>7</sup> Krause, Herman Martin<sup>6</sup> Krause Sr., Gggf<sup>5</sup> Krause, Living, George Rufus Sr.). He married **LIVING OLSON**.  
Living Beattie and Living Olson had the following children:
- 788. i. LIVING BEATTIE (son of Living Beattie and Living Olson).
  - 789. ii. LIVING BEATTIE (daughter of Living Beattie and Living Olson).
446. **LIVING BEATTIE** (Living, Edith Mabel<sup>8</sup> Dexter, Caroline 'Lena'<sup>7</sup> Krause, Herman Martin<sup>6</sup> Krause Sr., Gggf<sup>5</sup> Krause, Living, George Rufus Sr.). She married **LIVING HOPPA**.  
Living Hoppa and Living Beattie had the following children:
- 790. i. LIVING HOPPA (son of Living Hoppa and Living Beattie).
  - 791. ii. LIVING HOPPA (daughter of Living Hoppa and Living Beattie).
  - 792. iii. LIVING HOPPA (daughter of Living Hoppa and Living Beattie).
447. **LIVING BEATTIE** (Living, Edith Mabel<sup>8</sup> Dexter, Caroline 'Lena'<sup>7</sup> Krause, Herman Martin<sup>6</sup> Krause Sr., Gggf<sup>5</sup> Krause, Living, George Rufus Sr.). He married **LIVING ???**.  
Living Beattie and Living ??? had the following children:

---

### Generation 6 (cont.)

793. i. LIVING BEATTIE (daughter of Living Beattie and Living ???).
794. ii. LIVING BEATTIE (son of Living Beattie and Living ???).
795. iii. LIVING BEATTIE (son of Living Beattie and Living ???).
449. **LIVING BEATTIE** (Living, Edith Mabel<sup>8</sup> Dexter, Caroline 'Lena'<sup>7</sup> Krause, Herman Martin<sup>6</sup> Krause Sr., Gggf<sup>5</sup> Krause, Living, George Rufus Sr.). She married **LIVING THIBODEAUX**.  
Living Thibodeaux and Living Beattie had the following children:
796. i. LIVING THIBODEAUX (son of Living Thibodeaux and Living Beattie).
797. ii. LIVING THIBODEAUX (son of Living Thibodeaux and Living Beattie).
798. iii. LIVING THIBODEAUX (daughter of Living Thibodeaux and Living Beattie).
450. **LIVING BEATTIE** (Living, Edith Mabel<sup>8</sup> Dexter, Caroline 'Lena'<sup>7</sup> Krause, Herman Martin<sup>6</sup> Krause Sr., Gggf<sup>5</sup> Krause, Living, George Rufus Sr.). He married **LIVING ???**.  
Living Beattie and Living ??? had the following child:
799. i. LIVING BEATTIE (son of Living Beattie and Living ???).
451. **NANCY JANE<sup>10</sup> BEATTIE** (Living, Edith Mabel<sup>8</sup> Dexter, Caroline 'Lena'<sup>7</sup> Krause, Herman Martin<sup>6</sup> Krause Sr., Gggf<sup>5</sup> Krause, Living, George Rufus Sr.) was born on 15 December 1970 in Appleton, WI. She died on 19 July 1992 in Oshkosh, WI. She married **RANDY TRUTTSCHELL**.  
Randy Truttschell and Nancy Jane Beattie had the following child:
800. i. LIVING TRUTTSCHELL (son of Randy Truttschell and Nancy Jane Beattie).
453. **LIVING ARNDT** (Sarah<sup>9</sup> Beattie, Edith Mabel<sup>8</sup> Dexter, Caroline 'Lena'<sup>7</sup> Krause, Herman Martin<sup>6</sup> Krause Sr., Gggf<sup>5</sup> Krause, Living, Living). He married (1) **LIVING ???**. He married (2) **LIVING ???**.  
Living Arndt and Living ??? had the following children:
801. i. LIVING ARNDT (son of Living Arndt and Living ???).
802. ii. LIVING ARNDT (daughter of Living Arndt and Living ???).
454. **LIVING ARNDT** (Sarah<sup>9</sup> Beattie, Edith Mabel<sup>8</sup> Dexter, Caroline 'Lena'<sup>7</sup> Krause, Herman Martin<sup>6</sup> Krause Sr., Gggf<sup>5</sup> Krause, Living, Living). He married **LIVING ???**.  
Living Arndt and Living ??? had the following children:
803. i. LIVING ARNDT (daughter of Living Arndt and Living ???).
804. ii. LIVING ARNDT (son of Living Arndt and Living ???).
805. iii. LIVING ARNDT (son of Living Arndt and Living ???).
806. iv. LIVING ARNDT (son of Living Arndt and Living ???).
807. v. LIVING ARNDT (son of Living Arndt and Living ???).
456. **LIVING KUCHENBECKER** (Living Beattie, Edith Mabel<sup>8</sup> Dexter, Caroline 'Lena'<sup>7</sup> Krause, Herman Martin<sup>6</sup> Krause Sr., Gggf<sup>5</sup> Krause, Norbert). He married **LIVING ???**.  
Living Kuchenbecker and Living ??? had the following children:
808. i. LIVING KUCHENBECKER (son of Living Kuchenbecker and Living ???).
809. ii. LIVING KUCHENBECKER (son of Living Kuchenbecker and Living ???).
810. iii. LIVING KUCHENBECKER (son of Living Kuchenbecker and Living ???).
457. **LIVING KUCHENBECKER** (Living Beattie, Edith Mabel<sup>8</sup> Dexter, Caroline 'Lena'<sup>7</sup> Krause, Herman Martin<sup>6</sup> Krause Sr., Gggf<sup>5</sup> Krause, Norbert). He married **LIVING ???**.  
Living Kuchenbecker and Living ??? had the following children:
811. i. LIVING KUCHENBECKER (daughter of Living Kuchenbecker and Living ???).
812. ii. LIVING KUCHENBECKER (son of Living Kuchenbecker and Living ???).
458. **LIVING KUCHENBECKER** (Living Beattie, Edith Mabel<sup>8</sup> Dexter, Caroline 'Lena'<sup>7</sup> Krause, Herman

---

### Generation 6 (cont.)

Martin<sup>6</sup> Krause Sr., Gggf<sup>5</sup> Krause, Norbert). She married **LIVING WACHAL**.

Living Wachal and Living Kuchenbecker had the following child:

813. i. LIVING WACHAL (son of Living Wachal and Living Kuchenbecker).

459. **LIVING KUCHENBECKER** (Living Beattie, Edith Mabel<sup>8</sup> Dexter, Caroline 'Lena'<sup>7</sup> Krause, Herman Martin<sup>6</sup> Krause Sr., Gggf<sup>5</sup> Krause, Norbert). He married **LIVING ???**.

Living Kuchenbecker and Living ??? had the following children:

814. i. LIVING KUCHENBECKER (son of Living Kuchenbecker and Living ???).

815. ii. LIVING KUCHENBECKER (son of Living Kuchenbecker and Living ???).

460. **LIVING KUCHENBECKER** (Living Beattie, Edith Mabel<sup>8</sup> Dexter, Caroline 'Lena'<sup>7</sup> Krause, Herman Martin<sup>6</sup> Krause Sr., Gggf<sup>5</sup> Krause, Norbert). She married **LIVING ???**.

Living ??? and Living Kuchenbecker had the following children:

816. i. LIVING ??? (daughter of Living ??? and Living Kuchenbecker).

817. ii. LIVING ??? (daughter of Living ??? and Living Kuchenbecker).

818. iii. LIVING ??? (son of Living ??? and Living Kuchenbecker).

462. **LIVING BEATTIE** (David Michael<sup>9</sup>, Edith Mabel<sup>8</sup> Dexter, Caroline 'Lena'<sup>7</sup> Krause, Herman Martin<sup>6</sup> Krause Sr., Gggf<sup>5</sup> Krause, David Michael<sup>9</sup>, George Rufus Sr.). He married **LIVING BRUSO**.

Living Beattie and Living Brusso had the following children:

819. i. LIVING BEATTIE (daughter of Living Beattie and Living Brusso).

820. ii. LIVING BEATTIE (daughter of Living Beattie and Living Brusso).

821. iii. FAITH BEATTIE (daughter of Living Beattie and Living Brusso) was born on 23 January 1993. She died on 23 January 1993.

822. iv. CALEB JAMES BEATTIE (son of Living Beattie and Living Brusso) was born on 05 December 1997. He died on 05 December 1997.

466. **LIVING BEATTIE** (Living, Edith Mabel<sup>8</sup> Dexter, Caroline 'Lena'<sup>7</sup> Krause, Herman Martin<sup>6</sup> Krause Sr., Gggf<sup>5</sup> Krause, Living, George Rufus Sr.). She married (1) **LIVING ???**. She married (2) **LIVING PETERS**.

Living ??? and Living Beattie had the following child:

823. i. LIVING ??? (daughter of Living ??? and Living Beattie).

Living Peters and Living Beattie had the following child:

824. i. LIVING PETERS (son of Living Peters and Living Beattie).

470. **LIVING BOESE** (Living Wuske, Evelyn<sup>8</sup> Dexter, Caroline 'Lena'<sup>7</sup> Krause, Herman Martin<sup>6</sup> Krause Sr., Gggf<sup>5</sup> Krause, Living, Frank). She married **LIVING JACH**.

Living Jach and Living Boese had the following child:

825. i. LIVING JACH (son of Living Jach and Living Boese).

471. **LIVING BOESE** (Living Wuske, Evelyn<sup>8</sup> Dexter, Caroline 'Lena'<sup>7</sup> Krause, Herman Martin<sup>6</sup> Krause Sr., Gggf<sup>5</sup> Krause, Living, Frank). She married **LIVING PIECHOWSKI**.

Living Piechowski and Living Boese had the following children:

826. i. LIVING PIECHOWSKI (son of Living Piechowski and Living Boese).

827. ii. LIVING PIECHOWSKI (daughter of Living Piechowski and Living Boese). She married LIVING SIEBERS.

473. **LIVING BOESE** (Living Wuske, Evelyn<sup>8</sup> Dexter, Caroline 'Lena'<sup>7</sup> Krause, Herman Martin<sup>6</sup> Krause Sr., Gggf<sup>5</sup> Krause, Living, Frank). She married **LIVING WIESE**.

Living Wiese and Living Boese had the following children:

828. i. LIVING WIESE (daughter of Living Wiese and Living Boese).

---

### Generation 6 (cont.)

829. ii. LIVING WIESE (son of Living Wiese and Living Boese).
474. **LIVING LUTZ** (Living Beattie, Bessie A.<sup>8</sup> Dexter, Caroline 'Lena'<sup>17</sup> Krause, Herman Martin<sup>6</sup> Krause Sr., Gggf<sup>5</sup> Krause, George). She married **LIVING VOLKMAN**.  
Living Volkman and Living Lutz had the following children:
830. i. LIVING VOLKMAN (son of Living Volkman and Living Lutz).  
+831. ii. LIVING VOLKMAN (daughter of Living Volkman and Living Lutz). She married LIVING FIELDING SR..  
+832. iii. LIVING VOLKMAN (daughter of Living Volkman and Living Lutz). She married LIVING KLEIBER.  
833. iv. LIVING VOLKMAN (son of Living Volkman and Living Lutz). He married LIVING BOELTER.
476. **LIVING ROBERTS** (Living Beattie, Bessie A.<sup>8</sup> Dexter, Caroline 'Lena'<sup>17</sup> Krause, Herman Martin<sup>6</sup> Krause Sr., Gggf<sup>5</sup> Krause, Living). He married **LIVING ???**.  
Living Roberts and Living ??? had the following children:
834. i. LIVING ROBERTS (daughter of Living Roberts and Living ???).  
835. ii. LIVING ROBERTS (son of Living Roberts and Living ???).
477. **LIVING ROBERTS** (Living Beattie, Bessie A.<sup>8</sup> Dexter, Caroline 'Lena'<sup>17</sup> Krause, Herman Martin<sup>6</sup> Krause Sr., Gggf<sup>5</sup> Krause, Living). She married **LIVING ZIETLOW**.  
Living Zietlow and Living Roberts had the following children:
- +836. i. LIVING ZIETLOW (daughter of Living Zietlow and Living Roberts). She married LIVING BARTLINE.  
837. ii. LIVING ZIETLOW (daughter of Living Zietlow and Living Roberts).
478. **LIVING ROBERTS** (Living Beattie, Bessie A.<sup>8</sup> Dexter, Caroline 'Lena'<sup>17</sup> Krause, Herman Martin<sup>6</sup> Krause Sr., Gggf<sup>5</sup> Krause, Living). She married **LIVING THAYER**.  
Living Thayer and Living Roberts had the following children:
- +838. i. LIVING THAYER (daughter of Living Thayer and Living Roberts).  
839. ii. LIVING THAYER (son of Living Thayer and Living Roberts).  
840. iii. LIVING THAYER (son of Living Thayer and Living Roberts).
479. **LIVING ROBERTS** (Living Beattie, Bessie A.<sup>8</sup> Dexter, Caroline 'Lena'<sup>17</sup> Krause, Herman Martin<sup>6</sup> Krause Sr., Gggf<sup>5</sup> Krause, Living). She married **LIVING BEHM**.  
Living Behm and Living Roberts had the following children:
841. i. LIVING BEHM (daughter of Living Behm and Living Roberts).  
842. ii. LIVING BEHM (daughter of Living Behm and Living Roberts).
480. **LIVING VAN STRATEN** (Marvella<sup>9</sup> Beattie, Bessie A.<sup>8</sup> Dexter, Caroline 'Lena'<sup>17</sup> Krause, Herman Martin<sup>6</sup> Krause Sr., Gggf<sup>5</sup> Krause, Donald). He married **LIVING ???**.  
Living Van Straten and Living ??? had the following children:
- +843. i. LIVING VAN STRATEN (daughter of Living Van Straten and Living ???). She married LIVING NELMARK.  
844. ii. LIVING VAN STRATEN (son of Living Van Straten and Living ???).  
845. iii. LIVING VAN STRATEN (son of Living Van Straten and Living ???).
481. **LIVING VAN STRATEN** (Marvella<sup>9</sup> Beattie, Bessie A.<sup>8</sup> Dexter, Caroline 'Lena'<sup>17</sup> Krause, Herman Martin<sup>6</sup> Krause Sr., Gggf<sup>5</sup> Krause, Donald). She married **LIVING HINTZKE SR.**.  
Living Hintzke Sr. and Living Van Straten had the following children:
- +846. i. LIVING HINTZKE JR. (son of Living Hintzke Sr. and Living Van Straten). He married LIVING ???.
-

---

### Generation 6 (cont.)

- +847. ii. LIVING HINTZKE (son of Living Hintzke Sr. and Living Van Straten). He married LIVING ???.
848. iii. LIVING HINTZKE (son of Living Hintzke Sr. and Living Van Straten).
483. **LIVING VAN STRATEN** (Marvella<sup>9</sup> Beattie, Bessie A.<sup>8</sup> Dexter, Caroline 'Lena'<sup>17</sup> Krause, Herman Martin<sup>6</sup> Krause Sr., Gggf<sup>5</sup> Krause, Donald). She married **LIVING KEESLER**.  
Living Keesler and Living Van Straten had the following children:
849. i. LIVING KEESLER (daughter of Living Keesler and Living Van Straten).
850. ii. LIVING KEESLER (daughter of Living Keesler and Living Van Straten).
484. **LIVING VAN STRATEN** (Marvella<sup>9</sup> Beattie, Bessie A.<sup>8</sup> Dexter, Caroline 'Lena'<sup>17</sup> Krause, Herman Martin<sup>6</sup> Krause Sr., Gggf<sup>5</sup> Krause, Donald). She married (1) **LIVING JONES**. She married (2) **LIVING SULLIVAN**.  
Living Jones and Living Van Straten had the following child:
851. i. LIVING JONES (son of Living Jones and Living Van Straten).  
Living Sullivan and Living Van Straten had the following children:
852. i. JEANETTE<sup>11</sup> SULLIVAN (daughter of Living Sullivan and Living Van Straten) was born on 02 October 1976. She died on 19 July 1996.
853. ii. LIVING SULLIVAN (son of Living Sullivan and Living Van Straten).
485. **LIVING VAN STRATEN** (Marvella<sup>9</sup> Beattie, Bessie A.<sup>8</sup> Dexter, Caroline 'Lena'<sup>17</sup> Krause, Herman Martin<sup>6</sup> Krause Sr., Gggf<sup>5</sup> Krause, Donald). He married **LIVING ???**.  
Living Van Straten and Living ??? had the following children:
854. i. LIVING VAN STRATEN (daughter of Living Van Straten and Living ???).
855. ii. LIVING VAN STRATEN (son of Living Van Straten and Living ???).
486. **LIVING BEATTIE** (Living, Bessie A.<sup>8</sup> Dexter, Caroline 'Lena'<sup>17</sup> Krause, Herman Martin<sup>6</sup> Krause Sr., Gggf<sup>5</sup> Krause, Living, Marvin). She married **LIVING GABLE**.  
Living Gable and Living Beattie had the following children:
856. i. LIVING GABLE (daughter of Living Gable and Living Beattie).
857. ii. LIVING GABLE (son of Living Gable and Living Beattie).
- +858. iii. LIVING GABLE (daughter of Living Gable and Living Beattie).
487. **LIVING BEATTIE** (Living, Bessie A.<sup>8</sup> Dexter, Caroline 'Lena'<sup>17</sup> Krause, Herman Martin<sup>6</sup> Krause Sr., Gggf<sup>5</sup> Krause, Living, Marvin).  
Living Beattie had the following children:
859. i. LIVING BEATTIE (daughter of Living Beattie).
860. ii. LIVING BEATTIE (daughter of Living Beattie).
488. **LIVING BEATTIE** (Living, Bessie A.<sup>8</sup> Dexter, Caroline 'Lena'<sup>17</sup> Krause, Herman Martin<sup>6</sup> Krause Sr., Gggf<sup>5</sup> Krause, Living, Marvin). He married **LIVING ???**.  
Living Beattie and Living ??? had the following child:
861. i. LIVING BEATTIE (son of Living Beattie and Living ???).
489. **LIVING BEATTIE** (Living, Bessie A.<sup>8</sup> Dexter, Caroline 'Lena'<sup>17</sup> Krause, Herman Martin<sup>6</sup> Krause Sr., Gggf<sup>5</sup> Krause, Living, Marvin). She married **LIVING LEKFIELD**.  
Living Lekfield and Living Beattie had the following children:
862. i. LIVING LEKFIELD (son of Living Lekfield and Living Beattie).
863. ii. LIVING LEKFIELD (daughter of Living Lekfield and Living Beattie).
490. **LIVING BEATTIE** (Living, Bessie A.<sup>8</sup> Dexter, Caroline 'Lena'<sup>17</sup> Krause, Herman Martin<sup>6</sup> Krause Sr., Gggf<sup>5</sup> Krause, Living, Marvin). He married **LIVING ???**.
-

---

### Generation 6 (cont.)

Living Beattie and Living ??? had the following child:

864. i. LIVING BEATTIE (daughter of Living Beattie and Living ???).

497. **DAU<sup>10</sup> CLOSE** (Harold William<sup>9</sup> Sr., Martha Meta<sup>8</sup> Weber, Bertha Alberine<sup>7</sup> Krause, Herman Martin<sup>6</sup> Krause Sr., Gggf<sup>5</sup> Krause, Harold William<sup>9</sup> Sr., William McKinly, Jeremiah). She married **SON RABIDEAU**.

Son Rabideau and Dau Close had the following child:

865. i. ANDREW<sup>11</sup> RABIDEAU (son of Son Rabideau and Dau Close).

508. **HELEN MARIE<sup>10</sup> HUITING** (Muriel Gladys<sup>9</sup> Schmitz, Helen Clara<sup>8</sup> Weber, Bertha Alberine<sup>7</sup> Krause, Herman Martin<sup>6</sup> Krause Sr., Gggf<sup>5</sup> Krause, Theodore James Jr., Theodore James Sr.) was born date Unknown in ?. She married **JOSEPH GUERTIN**.

Joseph Guertin and Helen Marie Huiting had the following child:

866. i. KARISSA JO MARIE<sup>11</sup> GUERTIN (daughter of Joseph Guertin and Helen Marie Huiting).

509. **MARGARET ANN<sup>10</sup> HUITING** (Muriel Gladys<sup>9</sup> Schmitz, Helen Clara<sup>8</sup> Weber, Bertha Alberine<sup>7</sup> Krause, Herman Martin<sup>6</sup> Krause Sr., Gggf<sup>5</sup> Krause, Theodore James Jr., Theodore James Sr.) was born date Unknown in ?. She married **? VESELY**.

? Vesely and Margaret Ann Huiting had the following child:

867. i. CALVIN LEE<sup>11</sup> VESELY (son of ? Vesely and Margaret Ann Huiting).

529. **BONNIE<sup>10</sup> HILL** (Luella Jane<sup>9</sup> Hauschultz, Christina 'Tina' Matilda<sup>8</sup> Weber, Bertha Alberine<sup>7</sup> Krause, Herman Martin<sup>6</sup> Krause Sr., Gggf<sup>5</sup> Krause, Theodore L.) was born date Unknown in ?. She married **? BOYLE**.

? Boyle and Bonnie Hill had the following child:

868. i. KATRE<sup>11</sup> BOYLE (daughter of ? Boyle and Bonnie Hill).

558. **LIVING GREENWOOD** (Living Hauschultz, Christina 'Tina' Matilda<sup>8</sup> Weber, Bertha Alberine<sup>7</sup> Krause, Herman Martin<sup>6</sup> Krause Sr., Gggf<sup>5</sup> Krause, Wayne Raymond Sr.). She met **LIVING PRATT** (son of Marshall J. Pratt and Muriel Klinker).

Living Pratt and Living Greenwood had the following child:

869. i. LIVING GREENWOOD (daughter of Living Pratt and Living Greenwood). She married LIVING GILE (son of Bradley Dean Gile and Kateri Lee Riste).

584. **LIVING LONGFIELD** (Living Hoppe, Leo Arthur<sup>8</sup> Hoppe, Mathilda W.<sup>7</sup> Krause, Herman Martin<sup>6</sup> Krause Sr., Gggf<sup>5</sup> Krause, Robert Francis, Leroy Frank). She met (1) **LIVING FREDRICKSON** (son of William Fredrickson and Ruth ???). She met (2) **LIVING WEVER**. She married (3) **LIVING VANDERHOFF** (son of Verl 'Van' Vanderhoff and Margaret 'Peggy' ???).

Living Fredrickson and Living Longfield had the following child:

+870. i. LIVING LONGFIELD (daughter of Living Fredrickson and Living Longfield). She married (1) LIVING ANDREASEN. She married (2) LIVING BOWERSOCK.

Living Wever and Living Longfield had the following child:

871. i. LIVING LONGFIELD (daughter of Living Wever and Living Longfield).

586. **LIVING LONGFIELD** (Living Hoppe, Leo Arthur<sup>8</sup> Hoppe, Mathilda W.<sup>7</sup> Krause, Herman Martin<sup>6</sup> Krause Sr., Gggf<sup>5</sup> Krause, Robert Francis, Leroy Frank). He married **LIVING RICE**.

Living Longfield and Living Rice had the following children:

872. i. LIVING LONGFIELD (son of Living Longfield and Living Rice).

873. ii. LIVING LONGFIELD (son of Living Longfield and Living Rice).

587. **LIVING LONGFIELD** (Living Hoppe, Leo Arthur<sup>8</sup> Hoppe, Mathilda W.<sup>7</sup> Krause, Herman Martin<sup>6</sup> Krause Sr., Gggf<sup>5</sup> Krause, Robert Francis, Leroy Frank). She met **LIVING BRADFORD JR.** (son of Ronald Bradford Sr. and Georgia ???).

Living Bradford Jr. and Living Longfield had the following child:

874. i. LIVING LONGFIELD (daughter of Living Bradford Jr. and Living Longfield).

---

---

### Generation 6 (cont.)

588. **LIVING LONGFIELD** (Living Hoppe, Leo Arthur<sup>8</sup> Hoppe, Mathilda W.<sup>7</sup> Krause, Herman Martin<sup>6</sup> Krause Sr., Gggf<sup>5</sup> Krause, Robert Francis, Leroy Frank). He met **LIVING TERRES** (daughter of Eugene 'Gene' Terres and Donna Fredrickson).

Living Longfield and Living Terres had the following child:

875. i. **LIVING TERRES** (daughter of Living Longfield and Living Terres).

589. **LIVING LONGFIELD** (Living Hoppe, Leo Arthur<sup>8</sup> Hoppe, Mathilda W.<sup>7</sup> Krause, Herman Martin<sup>6</sup> Krause Sr., Gggf<sup>5</sup> Krause, Robert Francis, Leroy Frank). She met (1) **LIVING LATURNAL**. She met (2) **LIVING MCCOY**.

Living Laturnal and Living Longfield had the following child:

- +876. i. **LIVING LONGFIELD** (daughter of Living Laturnal and Living Longfield). She met (1) **LIVING HARPER**.

Living McCoy and Living Longfield had the following child:

877. i. **LIVING MCCOY** (son of Living McCoy and Living Longfield).

591. **LIVING NIEMUTH** (Living Hoppe, Louis Alfred<sup>8</sup> Hoppe, Mathilda W.<sup>7</sup> Krause, Herman Martin<sup>6</sup> Krause Sr., Gggf<sup>5</sup> Krause, Darryl Roger, Alvin Arthur). She married ? **ARNDT**.

? Arndt and Living Niemuth had the following children:

878. i. **JUSTIN<sup>11</sup> ARNDT** (son of ? Arndt and Living Niemuth).

879. ii. **MANDY ARNDT** (daughter of ? Arndt and Living Niemuth).

595. **LIVING DULSKI** (Living Hoppe, Harley Emanuel<sup>8</sup> Hoppe, Mathilda W.<sup>7</sup> Krause, Herman Martin<sup>6</sup> Krause Sr., Gggf<sup>5</sup> Krause, Living, Edward Andrew, Andrew, Philippus). He married **LIVING KORN**.

Living Dulski and Living Korn had the following children:

880. i. **LIVING DULSKI** (daughter of Living Dulski and Living Korn). She married **LIVING HEMP**.

881. ii. **LIVING DULSKI** (daughter of Living Dulski and Living Korn).

882. iii. **LIVING DULSKI** (son of Living Dulski and Living Korn).

596. **LIVING DULSKI** (Living Hoppe, Harley Emanuel<sup>8</sup> Hoppe, Mathilda W.<sup>7</sup> Krause, Herman Martin<sup>6</sup> Krause Sr., Gggf<sup>5</sup> Krause, Living, Edward Andrew, Andrew, Philippus). She married **LIVING KEBERLEIN**.

Living Keberlein and Living Dulski had the following children:

883. i. **LIVING KEBERLEIN** (son of Living Keberlein and Living Dulski).

884. ii. **LIVING KEBERLEIN** (daughter of Living Keberlein and Living Dulski).

885. iii. **LIVING KEBERLEIN** (daughter of Living Keberlein and Living Dulski).

597. **LIVING DULSKI** (Living Hoppe, Harley Emanuel<sup>8</sup> Hoppe, Mathilda W.<sup>7</sup> Krause, Herman Martin<sup>6</sup> Krause Sr., Gggf<sup>5</sup> Krause, Living, Edward Andrew, Andrew, Philippus). She met (1) **LIVING LIEGAL**. She married (2) **LIVING KAIN**. She married (3) **LIVING JOHNSON**.

Living Liegal and Living Dulski had the following child:

886. i. **LIVING LIEGAL** (daughter of Living Liegal and Living Dulski).

599. **LIVING DULSKI** (Living Hoppe, Harley Emanuel<sup>8</sup> Hoppe, Mathilda W.<sup>7</sup> Krause, Herman Martin<sup>6</sup> Krause Sr., Gggf<sup>5</sup> Krause, Living, Edward Andrew, Andrew, Philippus). She met **LIVING BOELTER**.

Living Boelter and Living Dulski had the following child:

887. i. **LIVING BOELTER** (son of Living Boelter and Living Dulski).

600. **JULIA<sup>10</sup> EDWARDS** (Gene Aubrey<sup>9</sup>, Eldora Emilie<sup>8</sup> Hoppe, Mathilda W.<sup>7</sup> Krause, Herman Martin<sup>6</sup> Krause Sr., Gggf<sup>5</sup> Krause, Gene Aubrey<sup>9</sup>, Aubrey John, Ward). She married **JOHN GORTON**.

John Gorton and Julia Edwards had the following children:

888. i. **ALICE<sup>11</sup> GORTON** (daughter of John Gorton and Julia Edwards).

---

### Generation 6 (cont.)

889. ii. JUSTIN GORTON (son of John Gorton and Julia Edwards).
602. **JILL**<sup>10</sup> **EDWARDS** (Gene Aubrey<sup>9</sup>, Eldora Emilie<sup>8</sup> Hoppe, Mathilda W.<sup>7</sup> Krause, Herman Martin<sup>6</sup> Krause Sr., Gggf<sup>5</sup> Krause, Gene Aubrey<sup>9</sup>, Aubrey John, Ward). She married **LIONEL SUSINI**.  
Lionel Susini and Jill Edwards had the following children:
890. i. ANNA<sup>11</sup> SUSINI (daughter of Lionel Susini and Jill Edwards).
891. ii. ZACH SUSINI (son of Lionel Susini and Jill Edwards).
603. **LIVING EDWARDS** (Living, Eldora Emilie<sup>8</sup> Hoppe, Mathilda W.<sup>7</sup> Krause, Herman Martin<sup>6</sup> Krause Sr., Gggf<sup>5</sup> Krause, Living, Aubrey John, Ward). He married **LIVING ANDERSON** (daughter of Gary K. Anderson and Carol Jane Robinson).  
Living Edwards and Living Anderson had the following children:
892. i. LIVING EDWARDS (son of Living Edwards and Living Anderson).
893. ii. LIVING EDWARDS (daughter of Living Edwards and Living Anderson).
604. **LIVING EDWARDS** (Living, Eldora Emilie<sup>8</sup> Hoppe, Mathilda W.<sup>7</sup> Krause, Herman Martin<sup>6</sup> Krause Sr., Gggf<sup>5</sup> Krause, Living, Aubrey John, Ward). He married **LIVING PENNINGTON**.  
Living Edwards and Living Pennington had the following children:
894. i. LIVING EDWARDS (son of Living Edwards and Living Pennington).
895. ii. LIVING EDWARDS (daughter of Living Edwards and Living Pennington).
896. iii. LIVING EDWARDS (daughter of Living Edwards and Living Pennington).
606. **LIVING PREUSS** (Living, Fred Henry<sup>8</sup>, Amanda<sup>7</sup> Krause, Herman Martin<sup>6</sup> Krause Sr., Gggf<sup>5</sup> Krause, Living, Fred Henry<sup>8</sup>, Emil Walter, Julius Edward, Matthias). She married **LIVING KORDUS** (son of Dale Kordus and Terri ???).  
Living Kordus and Living Preuss had the following children:
897. i. LIVING KORDUS (daughter of Living Kordus and Living Preuss).
898. ii. LIVING KORDUS (daughter of Living Kordus and Living Preuss).
608. **LIVING PREUSS** (Living, Fred Henry<sup>8</sup>, Amanda<sup>7</sup> Krause, Herman Martin<sup>6</sup> Krause Sr., Gggf<sup>5</sup> Krause, Living, Fred Henry<sup>8</sup>, Emil Walter, Julius Edward, Matthias). She married (1) **LIVING MONTOYA**. She met (2) **LIVING KOMANEKIN**.  
Living Montoya and Living Preuss had the following child:
899. i. LIVING MONTOYA (son of Living Montoya and Living Preuss).  
Living Komanekin and Living Preuss had the following child:
900. i. LIVING KOMANEKIN (daughter of Living Komanekin and Living Preuss).
609. **LIVING PREUSS** (Living, Fred Henry<sup>8</sup>, Amanda<sup>7</sup> Krause, Herman Martin<sup>6</sup> Krause Sr., Gggf<sup>5</sup> Krause, Living, Fred Henry<sup>8</sup>, Emil Walter, Julius Edward, Matthias). She married **LIVING WILKEN** (son of James Wilken and Nancy Janke).  
Living Wilken and Living Preuss had the following children:
901. i. LIVING WILKEN (son of Living Wilken and Living Preuss).
902. ii. LIVING WILKEN (daughter of Living Wilken and Living Preuss).
610. **LIVING PREUSS** (Living, Fred Henry<sup>8</sup>, Amanda<sup>7</sup> Krause, Herman Martin<sup>6</sup> Krause Sr., Gggf<sup>5</sup> Krause, Living, Fred Henry<sup>8</sup>, Emil Walter, Julius Edward, Matthias). He married **LIVING ???**.  
Living Preuss and Living ??? had the following children:
903. i. LIVING PREUSS (daughter of Living Preuss and Living ???).
904. ii. LIVING PREUSS (daughter of Living Preuss and Living ???).
613. **LIVING JANKE** (Living Preuss, Fred Henry<sup>8</sup> Preuss, Amanda<sup>7</sup> Krause, Herman Martin<sup>6</sup> Krause Sr., Gggf<sup>5</sup> Krause, Living, Walter). She married (1) **LIVING ANDRADE**. She married (2) **LIVING SIGHN**.



---

### Generation 6 (cont.)

Living Andrade and Living Janke had the following child:

905. i. LIVING ANDRADE (daughter of Living Andrade and Living Janke).

615. **LIVING KRAUSE** (Orville Donald 'Butch'<sup>9</sup>, Orville Herman<sup>8</sup>, Herman Martin<sup>7</sup> Jr., Herman Martin<sup>6</sup> Sr., Gggf<sup>5</sup>, ?-A<sup>4</sup>, Branch-One-A<sup>3</sup>, Haplogroup-I2a-F3744-Positive<sup>2</sup>, Schlochau-Branches<sup>1</sup>). He married **LIVING STINEFELT**.

Living Krause and Living Stinefelt had the following children:

906. i. LIVING KRAUSE (son of Living Krause and Living Stinefelt).

907. ii. LIVING KRAUSE (son of Living Krause and Living Stinefelt).

908. iii. LIVING KRAUSE (son of Living Krause and Living Stinefelt).

618. **LIVING KRAUSE** (Garrett Lee<sup>9</sup> I, Orville Herman<sup>8</sup>, Herman Martin<sup>7</sup> Jr., Herman Martin<sup>6</sup> Sr., Gggf<sup>5</sup>, ?-A<sup>4</sup>, Branch-One-A<sup>3</sup>, Haplogroup-I2a-F3744-Positive<sup>2</sup>, Schlochau-Branches<sup>1</sup>). She married **LIVING MILLER SR.** (son of Terrence Miller and Faith Amundson).

Living Miller Sr. and Living Krause had the following children:

+909. i. LIVING MILLER (daughter of Living Miller Sr. and Living Krause). She married LIVING WHITE.

910. ii. LIVING MILLER JR. (son of Living Miller Sr. and Living Krause).

911. iii. LIVING MILLER (daughter of Living Miller Sr. and Living Krause).

619. **LIVING KRAUSE** (Garrett Lee<sup>9</sup> I, Orville Herman<sup>8</sup>, Herman Martin<sup>7</sup> Jr., Herman Martin<sup>6</sup> Sr., Gggf<sup>5</sup>, ?-A<sup>4</sup>, Branch-One-A<sup>3</sup>, Haplogroup-I2a-F3744-Positive<sup>2</sup>, Schlochau-Branches<sup>1</sup>). He met (1) **LIVING VAN OVER** (daughter of ? Van Over and ? ???). He met (2) **LIVING FAHLEY** (daughter of ? Fahley and ? ???).

Living Krause and Living Van Over had the following child:

912. i. LIVING KRAUSE (son of Living Krause and Living Van Over).

Living Krause and Living Fahley had the following child:

913. i. LIVING KRAUSE (daughter of Living Krause and Living Fahley).

621. **LIVING KRAUSE** (Garrett Lee<sup>9</sup> I, Orville Herman<sup>8</sup>, Herman Martin<sup>7</sup> Jr., Herman Martin<sup>6</sup> Sr., Gggf<sup>5</sup>, ?-A<sup>4</sup>, Branch-One-A<sup>3</sup>, Haplogroup-I2a-F3744-Positive<sup>2</sup>, Schlochau-Branches<sup>1</sup>). He married **LIVING MILLER** (daughter of Rodney Miller and Edith ???).

Living Krause and Living Miller had the following children:

914. i. LIVING KRAUSE (daughter of Living Krause and Living Miller).

915. ii. LIVING KRAUSE (son of Living Krause and Living Miller).

627. **LIVING TYSON** (Living Krause, Orville Herman<sup>8</sup> Krause, Herman Martin<sup>7</sup> Krause Jr., Herman Martin<sup>6</sup> Krause Sr., Gggf<sup>5</sup> Krause, Living). He married **LIVING ???**.

Living Tyson and Living ??? had the following child:

916. i. LIVING TYSON (daughter of Living Tyson and Living ???).

629. **LIVING HILL** (Karen Jean<sup>9</sup> Krause, Orville Herman<sup>8</sup> Krause, Herman Martin<sup>7</sup> Krause Jr., Herman Martin<sup>6</sup> Krause Sr., Gggf<sup>5</sup> Krause, Living, Son, Kalle Laukkala). He married **LIVING COATES**.

Living Hill and Living Coates had the following children:

917. i. LIVING HILL (daughter of Living Hill and Living Coates).

918. ii. LIVING HILL (daughter of Living Hill and Living Coates).

630. **LIVING HILL** (Karen Jean<sup>9</sup> Krause, Orville Herman<sup>8</sup> Krause, Herman Martin<sup>7</sup> Krause Jr., Herman Martin<sup>6</sup> Krause Sr., Gggf<sup>5</sup> Krause, Living, Son, Kalle Laukkala). She married **LIVING GUENTHER** (son of Ralph Guenther and Barbara ???).

Living Guenther and Living Hill had the following children:

919. i. LIVING GUENTHER (daughter of Living Guenther and Living Hill).

---

---

### Generation 6 (cont.)

920. ii. LIVING GUENTHER (son of Living Guenther and Living Hill).
634. **CHRIS W.<sup>10</sup> WOLFF** (Diane<sup>9</sup> Winters, Eleanor Rose<sup>8</sup> Krause, Herman Martin<sup>7</sup> Krause Jr., Herman Martin<sup>6</sup> Krause Sr., Gggf<sup>5</sup> Krause, Keith) was born on 31 January 1964 in Oshkosh, WI. He died on 19 January 1999 in Van Dyne, WI. He married (1) **JUDITH SCHUBERT** on 08 April 1996 in Las Vegas, NV. He married (2) ? ??? about 1984.
- Chris W. Wolff and Judith Schubert had the following child:
921. i. JULIAN<sup>11</sup> WOLFF (daughter of Chris W. Wolff and Judith Schubert).
- Chris W. Wolff and ? ??? had the following children:
922. i. HEATHER<sup>11</sup> WOLFF (daughter of Chris W. Wolff and ? ???).
923. ii. ALEXANDRIA WOLFF (daughter of Chris W. Wolff and ? ???).
924. iii. TIMOTHY WOLFF (son of Chris W. Wolff and ? ???).
925. iv. TRAVIS WOLFF (son of Chris W. Wolff and ? ???).
647. **DARNEL MATTHEW<sup>10</sup> KRAUSE** (Darnel Martin<sup>9</sup>, Carl Martin<sup>8</sup> Sr., Carl Theodore<sup>7</sup>, Herman Martin<sup>6</sup> Sr., Gggf<sup>5</sup>, ?-A<sup>4</sup>, Branch-One-A<sup>3</sup>, Haplogroup-I2a-F3744-Positive<sup>2</sup>, Schlochau-Branches<sup>1</sup>) was born on 26 November 1971 in Farmington Hills, Oakland Co., MI. He married Melissa Emigh date Unknown in ?. She was born date Unknown in ?.
- Darnel Matthew Krause and Melissa Emigh had the following children:
926. i. LIVING KRAUSE (son of Darnel Matthew Krause and Melissa Emigh).
927. ii. LIVING KRAUSE (daughter of Darnel Matthew Krause and Melissa Emigh).
648. **CONOR MARTIN<sup>10</sup> KRAUSE** (Darnel Martin<sup>9</sup>, Carl Martin<sup>8</sup> Sr., Carl Theodore<sup>7</sup>, Herman Martin<sup>6</sup> Sr., Gggf<sup>5</sup>, ?-A<sup>4</sup>, Branch-One-A<sup>3</sup>, Haplogroup-I2a-F3744-Positive<sup>2</sup>, Schlochau-Branches<sup>1</sup>) was born on 23 September 1978 in Farmington Hills, Oakland Co., MI. He married Heather Martin date Unknown in ?. She was born date Unknown in ?.
- Conor Martin Krause and Heather Martin had the following children:
928. i. LIVING KRAUSE (son of Conor Martin Krause and Heather Martin).
929. ii. LIVING KRAUSE (son of Conor Martin Krause and Heather Martin).
661. **LIVING ROSENOW JR.** (Living Plowman, Living Krause, Carl Theodore<sup>7</sup> Krause, Herman Martin<sup>6</sup> Krause Sr., Gggf<sup>5</sup> Krause, Living). He married **VALERIE HOFFMAN**. She was born date Unknown in ?.
- Living Rosenow Jr. and Valerie Hoffman had the following children:
930. i. KENSINGTON<sup>11</sup> ROSENOW (son of Living Rosenow Jr. and Valerie Hoffman) was born date Unknown in ?.
931. ii. URBAN ROSENOW (son of Living Rosenow Jr. and Valerie Hoffman) was born date Unknown in ?.
932. iii. BRYNN ROSENOW (daughter of Living Rosenow Jr. and Valerie Hoffman) was born date Unknown in ?.
662. **LIVING ROSENOW** (Living Plowman, Living Krause, Carl Theodore<sup>7</sup> Krause, Herman Martin<sup>6</sup> Krause Sr., Gggf<sup>5</sup> Krause, Living). She married **TONY WYROBECK**. He was born date Unknown in ?.
- Tony Wyrobeck and Living Rosenow had the following child:
933. i. CLOE<sup>11</sup> WYROBECK (daughter of Tony Wyrobeck and Living Rosenow) was born date Unknown in ?.
664. **LIVING ROSENOW** (Living Plowman, Living Krause, Carl Theodore<sup>7</sup> Krause, Herman Martin<sup>6</sup> Krause Sr., Gggf<sup>5</sup> Krause, Living).
- Living Rosenow had the following children:
934. i. LIVING ROSENOW (son of Living Rosenow).
935. ii. LIVING ROSENOW (son of Living Rosenow).
-

---

### Generation 6 (cont.)

668. **LIVING PLOWMAN** (Living Sr., Living Krause, Carl Theodore<sup>7</sup> Krause, Herman Martin<sup>6</sup> Krause Sr., Gggf<sup>5</sup> Krause, Living Sr., Living Jr., George 'Clifford' Sr.).  
Living Plowman had the following children:
- 936. i. LIVING PLOWMAN (daughter of Living Plowman).
  - 937. ii. LIVING PLOWMAN (son of Living Plowman).

---

### Generation 7

674. **SON<sup>11</sup> KNICKREHM** (John Howard<sup>10</sup>, Howard Russell<sup>9</sup>, William H.<sup>8</sup>, Caroline 'Carrie' Johanna<sup>7</sup> Krause, Johann 'John'<sup>6</sup> Krause Sr., Gggf<sup>5</sup> Krause, John Howard<sup>10</sup>, Howard Russell<sup>9</sup>, William H.<sup>8</sup>, William H., Hans Heinrich Wilhelm, Wilhelm, ?, Root-Knickrehm). He married **? ???**.  
Son Knickrehm and **? ???** had the following children:
- 938. i. SON<sup>12</sup> KNICKREHM (son of Son Knickrehm and **? ???**).
  - 939. ii. SON KNICKREHM (son of Son Knickrehm and **? ???**).
687. **LIVING BURTON** (Living Winkler, Carl Walter<sup>9</sup> Winkler, Annie Amelia Caroline<sup>8</sup> Krause, Carl 'Charlie' Gustav William<sup>7</sup> Krause, Johann 'John'<sup>6</sup> Krause Sr., Gggf<sup>5</sup> Krause, Living). She married **LIVING FRY** (son of Leslie Allan Fry and ? McGonigle).  
Living Fry and Living Burton had the following children:
- 940. i. LIVING FRY (son of Living Fry and Living Burton).
  - 941. ii. LIVING FRY (son of Living Fry and Living Burton).
  - 942. iii. LIVING FRY (daughter of Living Fry and Living Burton).
689. **LIVING WINKLER** (Living, Carl Walter<sup>9</sup>, Annie Amelia Caroline<sup>8</sup> Krause, Carl 'Charlie' Gustav William<sup>7</sup> Krause, Johann 'John'<sup>6</sup> Krause Sr., Gggf<sup>5</sup> Krause, Living, Carl Walter<sup>9</sup>, Walter, Rudolf Gottlieb). She married **LIVING OWEN**.  
Living Owen and Living Winkler had the following child:
- 943. i. LIVING OWEN (son of Living Owen and Living Winkler).
690. **LIVING WINKLER** (Living, Carl Walter<sup>9</sup>, Annie Amelia Caroline<sup>8</sup> Krause, Carl 'Charlie' Gustav William<sup>7</sup> Krause, Johann 'John'<sup>6</sup> Krause Sr., Gggf<sup>5</sup> Krause, Living, Carl Walter<sup>9</sup>, Walter, Rudolf Gottlieb). She married **LIVING ATKINSON**.  
Living Atkinson and Living Winkler had the following child:
- 944. i. LIVING WINKLER (daughter of Living Atkinson and Living Winkler).
707. **LIVING MCNABB** (Living Wilkinson, Betty Ann Irene<sup>9</sup> Krause, Albert Carl<sup>8</sup> Krause, Carl 'Charlie' Gustav William<sup>7</sup> Krause, Johann 'John'<sup>6</sup> Krause Sr., Gggf<sup>5</sup> Krause, Living, Russell James). She married **LIVING ???**.  
Living ??? and Living McNabb had the following children:
- 945. i. LIVING ??? (daughter of Living ??? and Living McNabb).
  - 946. ii. LIVING ??? (daughter of Living ??? and Living McNabb).
717. **LIVING COX** (Living Tyre, Theodore Robert<sup>9</sup> Tyre, Clara Stella<sup>8</sup> Natzel, Theodore Albert<sup>7</sup> Natzel, Wilhelmina 'Minnie'<sup>6</sup> Krause, Gggf<sup>5</sup> Krause, Donald Michael). She married **LIVING DUCAN**.  
Living Ducan and Living Cox had the following children:
- 947. i. LIVING DUCAN (son of Living Ducan and Living Cox).
  - 948. ii. LIVING DUCAN (daughter of Living Ducan and Living Cox).
727. **LIVING BLINK** (Living Coe, Mavis Edith<sup>9</sup> Beattie, Edith Mabel<sup>8</sup> Dexter, Caroline 'Lena'<sup>7</sup> Krause, Herman Martin<sup>6</sup> Krause Sr., Gggf<sup>5</sup> Krause, Living). He married **LIVING ???**.  
Living Blink and Living ??? had the following children:
- 949. i. LIVING BLINK (daughter of Living Blink and Living ???).

---

### Generation 7 (cont.)

950. ii. LIVING BLINK (son of Living Blink and Living ???).
735. **LIVING ORT** (Living Coe, Mavis Edith<sup>9</sup> Beattie, Edith Mabel<sup>8</sup> Dexter, Caroline 'Lena'<sup>7</sup> Krause, Herman Martin<sup>6</sup> Krause Sr., Gggf<sup>5</sup> Krause, Living). She married **LIVING KIETZMAN**.  
Living Kietzman and Living Ort had the following child:
951. i. LIVING KIETZMAN (daughter of Living Kietzman and Living Ort).
736. **LIVING ORT** (Living Coe, Mavis Edith<sup>9</sup> Beattie, Edith Mabel<sup>8</sup> Dexter, Caroline 'Lena'<sup>7</sup> Krause, Herman Martin<sup>6</sup> Krause Sr., Gggf<sup>5</sup> Krause, Living). She married **LIVING BUNTING**.  
Living Bunting and Living Ort had the following child:
952. i. LIVING BUNTING (son of Living Bunting and Living Ort).
742. **LIVING HENRY** (Living Lutz, Doris<sup>9</sup> Beattie, Edith Mabel<sup>8</sup> Dexter, Caroline 'Lena'<sup>7</sup> Krause, Herman Martin<sup>6</sup> Krause Sr., Gggf<sup>5</sup> Krause, Living). He married **LIVING ???**.  
Living Henry and Living ??? had the following children:
953. i. LIVING HENRY (son of Living Henry and Living ???).
954. ii. LIVING HENRY (daughter of Living Henry and Living ???).
744. **LIVING GUERIN** (Living Lutz, Doris<sup>9</sup> Beattie, Edith Mabel<sup>8</sup> Dexter, Caroline 'Lena'<sup>7</sup> Krause, Herman Martin<sup>6</sup> Krause Sr., Gggf<sup>5</sup> Krause, Living). She married **LIVING MORRINELLI**.  
Living Morrinelli and Living Guerin had the following children:
955. i. LIVING MORRINELLI (son of Living Morrinelli and Living Guerin).
956. ii. LIVING MORRINELLI (daughter of Living Morrinelli and Living Guerin).
782. **LIVING KURTZ** (Living Beattie, Living Beattie, Edith Mabel<sup>8</sup> Dexter, Caroline 'Lena'<sup>7</sup> Krause, Herman Martin<sup>6</sup> Krause Sr., Gggf<sup>5</sup> Krause, Living). She married **LIVING DORDEL**.  
Living Dordel and Living Kurtz had the following child:
957. i. LIVING DORDEL (daughter of Living Dordel and Living Kurtz).
831. **LIVING VOLKMAN** (Living Lutz, Living Beattie, Bessie A.<sup>8</sup> Dexter, Caroline 'Lena'<sup>7</sup> Krause, Herman Martin<sup>6</sup> Krause Sr., Gggf<sup>5</sup> Krause, Living). She married **LIVING FIELDING SR.**.  
Living Fielding Sr. and Living Volkman had the following children:
958. i. LIVING FIELDING JR. (son of Living Fielding Sr. and Living Volkman).
959. ii. LIVING FIELDING (son of Living Fielding Sr. and Living Volkman).
960. iii. LIVING FIELDING (son of Living Fielding Sr. and Living Volkman).
832. **LIVING VOLKMAN** (Living Lutz, Living Beattie, Bessie A.<sup>8</sup> Dexter, Caroline 'Lena'<sup>7</sup> Krause, Herman Martin<sup>6</sup> Krause Sr., Gggf<sup>5</sup> Krause, Living). She married **LIVING KLEIBER**.  
Living Kleiber and Living Volkman had the following children:
961. i. LIVING KLEIBER (daughter of Living Kleiber and Living Volkman).
962. ii. LIVING KLEIBER (son of Living Kleiber and Living Volkman).
836. **LIVING ZIETLOW** (Living Roberts, Living Beattie, Bessie A.<sup>8</sup> Dexter, Caroline 'Lena'<sup>7</sup> Krause, Herman Martin<sup>6</sup> Krause Sr., Gggf<sup>5</sup> Krause, Living). She married **LIVING BARTLINE**.  
Living Bartline and Living Zietlow had the following children:
963. i. LIVING BARTLINE (son of Living Bartline and Living Zietlow).
964. ii. LIVING BARTLINE (son of Living Bartline and Living Zietlow).
838. **LIVING THAYER** (Living Roberts, Living Beattie, Bessie A.<sup>8</sup> Dexter, Caroline 'Lena'<sup>7</sup> Krause, Herman Martin<sup>6</sup> Krause Sr., Gggf<sup>5</sup> Krause, Living).  
Living Thayer had the following child:
965. i. LIVING THAYER (son of Living Thayer).
-

---

### Generation 7 (cont.)

843. **LIVING VAN STRATEN** (Living, Marvella<sup>9</sup> Beattie, Bessie A.<sup>8</sup> Dexter, Caroline 'Lena'<sup>7</sup> Krause, Herman Martin<sup>6</sup> Krause Sr., Gggf<sup>5</sup> Krause, Living, Donald). She married **LIVING NELMARK**.  
Living Nelmark and Living Van Straten had the following children:
- 966. i. LIVING NELMARK (son of Living Nelmark and Living Van Straten).
  - 967. ii. LIVING NELMARK (daughter of Living Nelmark and Living Van Straten).
  - 968. iii. LIVING NELMARK (son of Living Nelmark and Living Van Straten).
  - 969. iv. LIVING NELMARK (son of Living Nelmark and Living Van Straten).
846. **LIVING HINTZKE JR.** (Living Van Straten, Marvella<sup>9</sup> Beattie, Bessie A.<sup>8</sup> Dexter, Caroline 'Lena'<sup>7</sup> Krause, Herman Martin<sup>6</sup> Krause Sr., Gggf<sup>5</sup> Krause, Living Sr.). He married **LIVING ???**.  
Living Hintzke Jr. and Living ??? had the following child:
- 970. i. LIVING HINTZKE (son of Living Hintzke Jr. and Living ???).
847. **LIVING HINTZKE** (Living Van Straten, Marvella<sup>9</sup> Beattie, Bessie A.<sup>8</sup> Dexter, Caroline 'Lena'<sup>7</sup> Krause, Herman Martin<sup>6</sup> Krause Sr., Gggf<sup>5</sup> Krause, Living Sr.). He married **LIVING ???**.  
Living Hintzke and Living ??? had the following child:
- 971. i. LIVING HINTZKE (child of Living Hintzke and Living ???).
858. **LIVING GABLE** (Living Beattie, Living Beattie, Bessie A.<sup>8</sup> Dexter, Caroline 'Lena'<sup>7</sup> Krause, Herman Martin<sup>6</sup> Krause Sr., Gggf<sup>5</sup> Krause, Living).  
Living Gable had the following child:
- 972. i. LIVING GABLE (son of Living Gable).
870. **LIVING LONGFIELD** (Living, Living Hoppe, Leo Arthur<sup>8</sup> Hoppe, Mathilda W.<sup>7</sup> Krause, Herman Martin<sup>6</sup> Krause Sr., Gggf<sup>5</sup> Krause, Living Fredrickson, William Fredrickson). She married (1) **LIVING ANDREASEN**. She married (2) **LIVING BOWERSOCK**.  
Living Andreasen and Living Longfield had the following child:
- 973. i. LIVING ANDREASEN (son of Living Andreasen and Living Longfield).
876. **LIVING LONGFIELD** (Living, Living Hoppe, Leo Arthur<sup>8</sup> Hoppe, Mathilda W.<sup>7</sup> Krause, Herman Martin<sup>6</sup> Krause Sr., Gggf<sup>5</sup> Krause, Living Laturnal). She met (1) **LIVING HARPER**.  
Living Longfield had the following child:
- 974. i. LIVING LONGFIELD (daughter of Living Longfield).
- Living Harper and Living Longfield had the following children:
- 975. i. LIVING LONGFIELD (daughter of Living Harper and Living Longfield). She married ? ???.
  - 976. ii. LIVING LONGFIELD (son of Living Harper and Living Longfield).
909. **LIVING MILLER** (Living Krause, Garrett Lee<sup>9</sup> Krause I, Orville Herman<sup>8</sup> Krause, Herman Martin<sup>7</sup> Krause Jr., Herman Martin<sup>6</sup> Krause Sr., Gggf<sup>5</sup> Krause, Living Sr., Terrence). She married **LIVING WHITE**.  
Living White and Living Miller had the following child:
- 977. i. LIVING WHITE (son of Living White and Living Miller).

---

### Sources

- 1 Find A Grave.
  - 2 Naturalization Records.
  - 3 Obituary.
  - 4 Obituary, 22 April 1943, Manawa Advocate.
  - 5 Death Certificate.
  - 6 LDS IGI.
  - 7 Obit - Manawa WI.
-

---

---

### Sources (cont.)

- 8 Marriage Index, Cook Co., IL.
- 9 Death Index, IL: 1916-1947.
- 10 Illinois Marriage Index.
- 11 Marriage Registers, WI: County Marriages, 1836-1911.
- 12 WWII Draft Registration Card.
- 13 Illinois Death Index.
- 14 Ship List.
- 15 WWI Draft Registration Card.
- 16 Marriage Index, Cook Co., IL: 1871-1920.
- 17 Funeral Card Information.
- 18 SSDI.
- 19 Marriage Index, MN: 1849-1950.
- 20 TI: Tombstone Inscriptions.
- 21 Newspaper, Clintonville Tribune, Clintonville, WI, 21 Sept. 1928.  
<a target="\_blank" href="http://www.rootsweb.com:80/~wiwaupac/EmLuCem/ELO001.jpg">  
Obit: </a>
- 22 Birth Index, WI.
- 23 Death Index, WI.
- 24 Birth Index, WI: 1826-1908.
- 25 CDI: California Death Index.
- 26 Birth Certificate, #13375.
- 27 Certificate of Baptism.
- 28 USPRI: U.S. Public Record Index, Vol 2.
- 29 Marriage Index, Michigan, Marriage Records, 1867-1952.
- 30 Certificate of Death.
- 31 Death Index, Wisconsin, Death Index, 1959-1997.
- 32 USPRI: U.S. Public Record Index, Vol 1.
- 33 Marriage Registers, MI, Marriage Records, 1867-1925 (1924 Kalamazoo, Monroe Co., MI).
- 34 USPRI: U.S. Public Record Index, Vol 1.
- 35 Public Records Index, Vol 2.
- 36 Find A Grave.
- 37 Death Index, MN.
- 38 Birth Certificate, Cook Co., IL;
- 39 Death Index, Michigan.
- 40 USPRI: U.S. Public Record Index, Vol 1, Vol 2.
- 41 Certificate of Marriage, Record of Marriage AK: 1917-1969.
- 42 USPRI: U.S. Public Record Index, Vol 1 & Vol 2.

Prepared By:

Preparer:	Arnold Edwin Krause	Address:	1611 Arlington Ave
Phone:	306 374 3348		Saskatoon, Saskatchewan S7H2Y6
Email:	arnie-krause@shaw.ca		Canada

# Descendants of Wilhelmina 'Minnie' Krause

---

## Generation 1

1. **WILHELMINA 'MINNIE'<sup>6</sup> KRAUSE** (Gggf<sup>5</sup>, ?-A<sup>4</sup>, Branch-One-A<sup>3</sup>, Haplogroup-I2a-F3744-Positive<sup>2</sup>, Schlochau-Branches<sup>1</sup>) was born on 01 January 1844 in Prussia. She died on 09 May 1912 in Chicago, Cook Co., IL. She married Charles 'Karl' Natzel (son of ? Natzel and Anna ???) before April 1873 in Prussia. He was born in 1846 in Prussia. He died on 21 September 1919 in Bremen Twp., Cook Co., IL.

Notes for Wilhelmina 'Minnie' Krause:

NOTE:: The source for the information on Wilhelmine Krause and children with Charles 'Karl' Natzel was first received in a Pedigree chart for Stephanie Tyre, sent to me by Fawn Ketner Keegan. Once I had this Pedigree then a tree was found on Ancestry.com called ["Natzel-Smoczynski Tree"](https://www.ancestry.com/family-tree/person/tree/85176038/person/46518402837) administered by Bill Sandve of Austin, TX. I shared my info on this Krause line with Bill who has now added information and shown a source back to this database.

Immigration 12 Apr 1873, Ship: Hansa, Hamburg Ship list, Capt. Brandt, arrived New York from Liverpool, Three adults Carl Natzel, age 27, h/w Wilhelmina, age 25, and Anna, age 59, mother of Karl.

Ref:

1880 Census, Chicago, Cook Co., IL, ED#163, p2B/194B, family#19, frame 2/66, taken 1 June 1880, age 31

1910 Census, Chicago(Ward#23), Cook Co., IL, ED#999, p11A/183A, family#259, frame 21/45, taken 21 Apr 1910, age 65, 12 children, 6 living, mother-in-law, in home of Edward Coutre, washerwoman for Private families. Address is 1891 Poe Street

Cook County, Illinois, Deaths Index, 1878-1922

View Record

Name	Minnie Naetzel
Birth Date	1 Jan 1844
Birth Place	Germany
Death Date	9 May 1912
Death Place	Chicago, Cook, Illinois
Burial Date	12 May 1912
Cemetery Name	Montrose
Death Age	68
Occupation	Housekeeper
Race	White
Marital Status	Married
Gender	Female
Street Address	1891 Poe St. This is the same address as the 1910 Census
Father Birth Place	Germany
Mother Birth Place	Germany
FHL Film Number	1287632

The case for Wilhelmina Krause to be from this family is not that strong but is based on shared DNA with Jane (Krause) Plowman and Arnold Krause who share DNA with Stephanie Tyre who descends from this line. This attachment is being made until proven otherwise. See the shared DNA between Jane (Krause) Plowman, Arnold Krause, Stephanie Tyre, and Kenneth Krause as shown in the following

[Screen Snip of Shared DNA](https://freepages.rootsweb.com/~aek740/genealogy/crowsersnips/SS-JP+AK+ST+KK.JPG) Kenneth Krause is shown as he is shown as a match with Jane (Krause) Plowman but the shared DNA is below the threshold for Arnold and Stephanie. Kenneth is Haplogroup R so his Krause line is not connected to our Branch-One-I group but his Pedigree must intersect our Krause Pedigree beyond Gggf Krause and his wife, Caroline. The Chromosome Browser diagram shows all four people share a common DNA section on Chromosome #2, The

---

## Generation 1 (cont.)

section where Jane, Arnold, and Stephanie show the major shared DNA is on Chromosome #6 as well as the section on Chromosome #2

Futher information is shown at the following link: <a Target="\_blank" href="https://freepages.rootsweb.com/~aek740/genealogy/Scanned%20Documents.htm"> See items #556, 557, and 558. </a>

Family Finder DNA shows that Stephanie Tyre matches both Arnold Krause and Jane (Krause) Plowman. Shared DNA is as follows:

Arnold: 79/37 cM (total/longest block)

Jane (Krause) Plowman: 76/21 cM (total/longest block)

This give the following relationships:

Arnold Krause: 3rd cousin 1 removed

Jane (Krause) Plowman: 2nd cousin twice removed.

There are other possible ways that Wilhelmina could connect to John and Herman other than as a sibling. These are first cousin or second cousin. If this approach is used then the connection to Jane (Krause) Plowman would be 3rd cousin twice removed and for Arnold it would be 4th cousin once removed.

If one uses the standardized shared DNA chart as shown in the following link <a Target="\_blank" href="https://freepages.rootsweb.com/~aek740/genealogy/images/cM-Chart.JPG"> Shared DNA Chart </a> then the following values are arrived at:

Actual shared cM for	Jane(Krause) Plowman	Arnold Krause
	76	79
Sibling:	81 range 0-201	56 range 1-156
1st cousin to John/Herman	36 range 0-82	20 range 0-57

The actual values for Jane fall within the range for first cousin but the values for Arnold are in excess of the proper range. This means that the sibling connection is the most probable connection and will be used until proven otherwise. The sibling approach is also the most likely because from the Shiplist when John's family and Herman and his family and Herman's mother indicated their destination it was Michigan but they ended up in Chicago, Cook Co., IL and Elgin, Kane County, IL and not Michigan. Wilhelmina and her family lived in Chicago so this is probably the relatives that they were coming to that were already in America.

Notes for Charles 'Karl' Natzel:

Immigration 12 Apr 1873, Ship: Hansa, Hamburg Ship list, Capt. Brandt, arrived New York from Liverpool, Two adults Carl Natzel, age 27, h/w Wilhelmina, age 25, also on ship list, age 59, mother of Karl, from Stetzin, Preuben

Hamburg Index, Band 3, Letter N. Carl Natzel, 245, April 1873, frame 8/12

Ref:

1880 Census, Chicago, Cook Co., IL, ED#163, p2B/194B, family#19, frame 2/66, taken 1 June 1880, age 34

1910 Census, Norwood Park Twp., Cook Co., IL, ED#67, p11A/235A, Cook Co., Infirmary, frame 21/39, taken 27 Apr 1910, age 63, imm 1884??

Charles 'Karl' Natzel and Wilhelmina 'Minnie' Krause had the following children:

- +2. i. THEODORE ALBERT<sup>7</sup> NATZEL (son of Charles 'Karl' Natzel and Wilhelmina 'Minnie' Krause) was born on 24 September 1876 in Chicago, Cook Co., IL<sup>1</sup>. He died on 12 January 1940 in Norwood Park, Cook Co., IL<sup>1</sup>. He married Louisa Rauschert (daughter of Charles Rudolph Rauschert and Cecelia 'Celia' Muller) on 27 October 1897 in Chicago, Cook Co., IL<sup>2</sup>. She was born on 31 July 1879 in Armenia, Jeuneau Co., WI<sup>1</sup>. She died on 11 September 1936 in Chicago, Cook Co., IL<sup>1</sup>.
- +3. ii. EMMA NATZEL (daughter of Charles 'Karl' Natzel and Wilhelmina 'Minnie' Krause) was born in May 1878 in Chicago, Cook Co., IL<sup>1</sup>. She died on 02 July 1945 in Chicago, Cook Co., IL<sup>1</sup>. She married William Christopher Coutre on 22 September 1896 in Chicago, Cook Co., IL. He was born on 22 October 1875 in Chicago, Cook Co., IL<sup>1</sup>. He died before 10 February 1956 in Chicago, Cook Co., IL<sup>1</sup>.



---

**Generation 1 (cont.)**

4.     iii.   HENRY NATZEL (son of Charles 'Karl' Natzel and Wilhelmina 'Minnie' Krause) was born on 18 July 1880 in Chicago, Cook Co., IL. He died on 17 August 1881 in Chicago, Cook Co., IL.
5.     iv.    MINNIE NATZEL (daughter of Charles 'Karl' Natzel and Wilhelmina 'Minnie' Krause) was born on 04 April 1882 in Chicago, Cook Co., IL. She married (1) ? ANDREWS. She married (2) ? SZAWALA.

Notes for Minnie Natzel:

U.S., Social Security Applications and Claims Index, 1936-2007

[View Record](#)

Name   Minnie Andrews

Gender Female

Race   White

Birth Date     4 Apr 1882

Birth Place    Chicago, Illinois

Father   Charles Natzel

Mother   Minnie Kraus

SSN    320055375

Notes   Nov 1936: Name listed as MINNIE ANDREWS; : Name listed as MINNIE SZAWALA

Household Members

Name   Age

Minnie Andrews

Minnie Kraus

Charles Natzel

- +6.    v.    TILLIE NATZEL (daughter of Charles 'Karl' Natzel and Wilhelmina 'Minnie' Krause) was born between 1883-1884 in Chicago, Cook Co., IL. She married Edward F. Coutre on 31 October 1903 in Chicago, Cook Co., IL. He was born on 03 August 1882 in Chicago, Cook Co., IL. He died on 04 March 1912 in Cook Co., IL.
7.     vi.    WILLIAM NATZEL (son of Charles 'Karl' Natzel and Wilhelmina 'Minnie' Krause) was born on 23 December 1886 in Chicago, Cook Co., IL<sup>1</sup>. He died on 24 October 1958 in Chicago, Cook Co., IL<sup>1</sup>. He married RETTA BREINER. She was born in Chicago, Cook Co., IL.

Notes for William Natzel:

Cook County, Illinois, Birth Certificates Index, 1871-1922

[View Record](#)

Name   Willi Natzel

Birth Date     23 Dec 1886

Birth Place    Chicago, Cook, Illinois

Ethnicity     American

Gender Male

Race   White

Father   Charles Natzel

Mother   Minna Krause Natzel

FHL Film Number     1287861

Household Members

Name   Age

Willi Natzel

Minna Krause Natzel

Charles Natzel

- +8.    vii.   LOUISE ELIZABETH NATZEL (daughter of Charles 'Karl' Natzel and Wilhelmina 'Minnie' Krause) was born on 24 November 1889 in Chicago, Cook Co., IL<sup>3</sup>. She died on 13 April 1974 in Chicago, Cook Co., IL<sup>3</sup>. She married August Seidelmann (son of John Seidelmann and Anna Laplanche) on 18 February 1911 in Kane Co., IL. He was born on 25 August 1888 in Aurora, DuPage Co., IL<sup>4-5</sup>. He died on 23 September

---

## Generation 1 (cont.)

1947 in Chicago, Cook Co., IL.

---

## Generation 2

2. **THEODORE ALBERT<sup>7</sup> NATZEL** (Wilhelmina 'Minnie'<sup>6</sup> Krause, Charles 'Karl', ?) was born on 24 September 1876 in Chicago, Cook Co., IL<sup>1</sup>. He died on 12 January 1940 in Norwood Park, Cook Co., IL<sup>1</sup>. He married Louisa Rauschert (daughter of Charles Rudolph Rauschert and Cecelia 'Celia' Muller) on 27 October 1897 in Chicago, Cook Co., IL<sup>2</sup>. She was born on 31 July 1879 in Armenia, Jeuneau Co., WI<sup>1</sup>. She died on 11 September 1936 in Chicago, Cook Co., IL<sup>1</sup>.

Notes for Theodore Albert Natzel:

Ref:

1880 Census, Chicago, Cook Co., IL, ED#163, p2B/194B, family#19, frame 2/66, taken 1 June 1880, age 4

1910 Census, Chicago(Ward#22), Cook Co., IL, ED#947, p14A-B/142A-B, family#295, frame 27-28/42, taken 29 Apr 1910, age 34, marr 12 yrs

Theodore Natzel in the Illinois, Deaths and Stillbirths Index, 1916-1947 Illinois, Deaths and Stillbirths Index, 1916-1947 No Image

Name: Theodore Natzel

Birth Date: 24 Sep 1876

Birth Place: Chicago, Illinois

Death Date: 12 Jan 1940

Death Place: Norwood Park, Cook, Illinois

Burial Date: 16 Jan 1940

Burial Place: Chicago, Cook, Illinois

Death Age: 63

Occupation: Tannery Shaver

Race: White

Marital Status: W

Gender: Male

Residence: Chicago, Cook, Illinois

Father Birth Place: Berlin, Germany

Mother Birth Place: Germany

Spouse Name: Louise

FHL Film Number: 1831898

Obituary:

Chicago Tribune (IL) ; January 14, 1940

NATZEL

--Theodore Natzel of 2924 Lyndale avenue, husband of the late Louise Natzel, father of Albert, Elsie, Clara and Ottilia. Funeral at chapel, 736 W. North avenue, Tuesday, Jan. 16, at 2 p.m. Interment St. Lucas'.

Notes for Louisa Rauschert:

Ref:

1910 Census, Chicago(Ward#22), Cook Co., IL, ED#947, p14A-B/142A-B, family#295, frame 27-28/42, taken 29 Apr 1910, age 30, marr 12 yrs, 4 children. 4 living( very light, may not be correct!!!!)

Louise Natzel in the Illinois, Deaths and Stillbirths Index, 1916-1947 Illinois, Deaths and Stillbirths Index, 1916-1947 No Image

Name: Louise Natzel

[Louise Rauschat]

Death Date: 11 Sep 1936

---

---

## Generation 2 (cont.)

Death Place: Chicago, Cook, Illinois  
Gender: Female  
Father Name: Charles Rauschat  
Mother Name: Celia Smith  
Spouse Name: Theodore  
FHL Film Number: 1927011

Relationship Notes for Theodore Albert Natzel and Louisa Rauschert:

Name Theodore Natzen  
Age 22  
Birth Year (Estimated) 1875  
Birth Date 1875  
Spouse's Name Louise Raucher  
Spouse's Age 18  
Spouse's Birth Year (Estimated) 1879  
Spouse's Birth Date 1879  
License Type Marriage  
Event Date 27 Oct 1897  
Event Place Chicago, Cook, Illinois

Theodore Albert Natzel and Louisa Rauschert had the following children:

- +9. i. ELSIE FLORENCE<sup>8</sup> NATZEL (daughter of Theodore Albert Natzel and Louisa Rauschert) was born on 04 January 1899 in Chicago, Cook Co., IL. She died on Dead. She married Harry H. Slawson (son of William Slawson) on 05 November 1915 in Chicago, Cook Co., IL. He was born on 09 January 1894 in Chicago, Cook Co., IL. He died on 22 June 1945 in Chicago, Cook Co., IL.
  10. ii. FREDERICK NATZEL (son of Theodore Albert Natzel and Louisa Rauschert) was born in 1901 in Chicago, Cook Co., IL<sup>1</sup>. He died in 1902 in Chicago, Cook Co., IL<sup>1</sup>.
  - +11. iii. CLARA STELLA NATZEL (daughter of Theodore Albert Natzel and Louisa Rauschert) was born on 21 February 1904 in Chicago, Cook Co., IL<sup>7</sup>. She died on 16 March 1996 in Wheathead, Jasper Co., IN<sup>7</sup>. She married (1) LEROY PETER TYRE (son of Paris Sylvester Tyre and Nancy Janie 'Jennie' Artrip) before 1924. He was born on 10 February 1904 in IN. He died on 16 January 1963 in Porter Co., IN. She married (2) ? TYLER after 1963.
  12. iv. NELLIE NATZEL (daughter of Theodore Albert Natzel and Louisa Rauschert) was born about 1907 in Chicago, Cook Co., IL. She died on Dead.  
  
Notes for Nellie Natzel:  
Ref:  
1910 Census, Chicago(Ward#22), Cook Co., IL, ED#947, p14A-B/142A-B, family#295, frame 27-28/42, taken 29 Apr 1910, age 3
  - +13. v. OTELIA 'TILLIE' A. NATZEL (daughter of Theodore Albert Natzel and Louisa Rauschert) was born on 30 August 1908 in Chicago, Cook Co., IL. She died on 08 July 1990 in Palatine, Cook Co., IL. She married Oscar Rowlett on 01 September 1923 in Chicago, Cook Co., IL. He was born about 1903 in TN. He died on 16 March 1928 in Chicago, Cook Co., IL.
  - +14. vi. ALBERT THEODORE NATZEL (son of Theodore Albert Natzel and Louisa Rauschert) was born on 12 September 1914 in Chicago, Cook Co., IL<sup>1</sup>. He died on 20 March 1984 in Melrose Park, Cook Co., IL<sup>1</sup>. He married Helen Beatrice Pytko on 06 March 1934 in Cook Co., IL. She was born on 15 February 1916 in IL<sup>1</sup>. She died on 27 November 1984 in Melrose Park, Cook Co., IL<sup>1</sup>.
3. **EMMA<sup>7</sup> NATZEL** (Wilhelmina 'Minnie'<sup>6</sup> Krause, Charles 'Karl', ?) was born in May 1878 in Chicago, Cook Co., IL<sup>1</sup>. She died on 02 July 1945 in Chicago, Cook Co., IL<sup>1</sup>. She married William Christopher Coutre on 22 September 1896 in Chicago, Cook Co., IL. He was born on 22 October 1875 in Chicago, Cook Co., IL<sup>1</sup>. He died before 10 February 1956 in Chicago, Cook Co., IL<sup>1</sup>.

---

## Generation 2 (cont.)

Notes for Emma Natzel:

Ref:

1880 Census, Chicago, Cook Co., IL, ED#163, p2B/194B, family#19, frame 2/66, taken 1 June 1880, age 2

1900 Census, Chicago(Ward#20), Cook Co., IL, ED#632, p12A/148A, family#253, frame 23/28, taken 9 June 1900, age 23(May 1877), marr 3 yrs, 0 children, 0 living

1910 Census, Chicago(Ward#23), Cook Co., IL, ED#999, p6A/178A, family#133, frame 11/45, taken 18 Apr 1910, age 32, marr 13 yrs, 1 child, 1 living

1920 Census, Chicago(Ward#22), Cook Co., IL, ED#1247, p10B/273B, family#288, frame 20/24, taken 12 Jan 1920, age 43

1930 Census, Chicago(Ward#43), Cook Co., IL, ED#16-1578, p23A/96A, frame 43/44, taken 29 Apr 1930, age 50, first marr age 16

Emma Cohtre

in the Illinois, Deaths and Stillbirths Index, 1916-1947

Illinois, Deaths and Stillbirths Index, 1916-1947 No Image

Name: Emma Cohtre

[Emma Natzel]

Birth Date: 1877

Birth Place: Chicago, Illinois

Death Date: 2 Jul 1945

Death Place: Chicago, Cook, Illinois

Burial Date: 5 Jul 1945

Burial Place: Chicago, Cook, Illinois

Cemetery Name: Montrose

Death Age: 68

Occupation: House Wife

Race: White

Marital Status: M

Gender: Female

Residence: Chicago, Cook, Illinois

Father Name: Charles Natzel

Father Birth Place: Germany

Spouse Name: William

FHL Film Number: 1983365

Notes for William Christopher Coutre:

Ref:

1900 Census, Chicago(Ward#20), Cook Co., IL, ED#632, p12A/148A, family#253, frame 23/28, taken 9 June 1900, age 24(Oct 1875), marr 3 yrs

1910 Census, Chicago(Ward#23), Cook Co., IL, ED#999, p6A/178A, family#133, frame 11/45, taken 18 Apr 1910, age 35, marr 13 yrs

1920 Census, Chicago(Ward#22), Cook Co., IL, ED#1247, p10B/273B, family#288, frame 20/24, taken 12 Jan 1920, age 45

1930 Census, Chicago(Ward#43), Cook Co., IL, ED#16-1578, p23A/96A, frame 43/44, taken 29 Apr 1930, age 56

Transcript

Chicago Tribune February 10, 1956 William C. Coutre of Wood River, Ill., beloved husband of the late Emma; fond father of Roy. Resting at funeral home, 736 W. North avenue. Services Saturday, Feb. 11, at 1:30 p.m. Interment Montrose.

Relationship Notes for William Christopher Coutre and Emma Natzel:

Emma Natzel in the Cook County, Illinois, Marriages Index, 1871-1920

Cook County, Illinois, Marriages Index, 1871-1920 No Image

Name: Emma Natzel

---

---

## Generation 2 (cont.)

Age: 18  
Gender: Female  
Birth Year: abt 1878  
Marriage Type: Marriage  
Marriage Date: 22 Sep 1896  
Marriage Place: Chicago, Cook, Illinois  
Spouse Name: William K. Coutre  
Spouse Age: 21  
Spouse Gender: Male  
FHL Film Number: 1030267

William Christopher Coutre and Emma Natzel had the following child:

15. i. ROY GEORGE<sup>8</sup> COUTRE (son of William Christopher Coutre and Emma Natzel) was born on 24 May 1901 in Chicago, Cook Co., IL. He died on 06 January 1962 in Edwardsville, IL. He married Anna Catherine Wurster on 22 November 1920 in Chicago, Cook Co., IL. She was born on 09 August 1906 in Racine, Racine Co., WI. She died on 24 May 1957 in Wood River, IL.

Notes for Roy George Coutre:

Ref:

1920 Census, Chicago(Ward#22), Cook Co., IL, ED#1247, p10B/273B, family#288, frame 20/24, taken 12 Jan 1920, age 18

1930 Census, Chicago(Ward#41), Cook Co., IL, ED#16-2826, p16B/151B, family#192, frame 24/36, taken 7 Apr 1930, age 30, first marr age 22, name: Roy G. Coutre

1940 Census, Chicago(Ward#47), Cook Co., IL, ED#103-2977, p 4A/42623A, frame 7/34, taken 6-8 Apr 1940, age 41

Notes for Anna Catherine Wurster:

Ref:

1930 Census, Chicago(Ward#41), Cook Co., IL, ED#16-2826, p16B/151B, family#192, frame 24/36, taken 7 Apr 1930, age 26, first marr age 16

1940 Census, Chicago(Ward#47), Cook Co., IL, ED#103-2977, p 4A/42623A, frame 7/34, taken 6-8 Apr 1940, age 36

Anna Catherine Wurster in the Wisconsin, Birth Index, 1820-1907

Name: Anna Catherine Wurster  
Birth Date: 9 Aug 1906  
Birth Place: Racine, Wisconsin, USA  
Reel: DEL  
Record: SEQ 702

Transcript

\*1957-05-24\*\*/Chicago Tribune (IL)/ \*COUTRE\*Edition: Chicago Tribune--Anna Katherine Coutre of Wood River, Ill., formerly of Chicago, beloved wife of Roy G. Service Friday, 2 p.m., at chapel, 5149-51 N. Ashland avenue, at Foster. Interment Montrose. LOngebeach 1-5147. Copyright 1957, Chicago Tribune. For permission to reprint, contact Chicago Tribune. Record Number: 19570524dn017

Relationship Notes for Roy George Coutre and Anna Catherine Wurster:

Roy Coutre in the Cook County, Illinois, Marriages Index, 1871-1920

Cook County, Illinois, Marriages Index, 1871-1920 No Image

Name: Roy Coutre  
Age: 23  
Gender: Male  
Birth Year: abt 1897  
Marriage Type: Marriage

---

## Generation 2 (cont.)

Marriage Date: 22 Nov 1920  
Marriage Place: Chicago, Cook, Illinois  
Spouse Name: Anna Wurster  
Spouse Age: 19  
Spouse Gender: Female  
FHL Film Number: 1030744

6. **TILLIE<sup>7</sup> NATZEL** (Wilhelmina 'Minnie'<sup>6</sup> Krause, Charles 'Karl', ?) was born between 1883-1884 in Chicago, Cook Co., IL. She married Edward F. Coutre on 31 October 1903 in Chicago, Cook Co., IL. He was born on 03 August 1882 in Chicago, Cook Co., IL. He died on 04 March 1912 in Cook Co., IL.

Notes for Tillie Natzel:

Ref:

1910 Census, Chicago(Ward#23), Cook Co., IL, ED#999, p11A/183A, family#259, frame 21/45, taken 21 Apr 1910, age 26, marr 7 yrs, 1 child, 0 living  
1930 Census, Chicago(Ward#44), Cook Co., IL, ED#16-1632, p20B/223B, family#329, frame 34/35, taken 17 Apr 1930, age 45, widow

Notes for Edward F. Coutre:

Ref:

1910 Census, Chicago(Ward#23), Cook Co., IL, ED#999, p11A/183A, family#259, frame 21/45, taken 21 Apr 1910, age 27, marr 7 yrs

Cook County, Illinois, Birth Certificates Index, 1871-1922

[View Record](#)

Name Coutre

Birth Date 3 Aug 1882

Birth Place Chicago, Cook, Illinois

Gender Male

Father Felix Coutre

Mother Mary Alles

FHL Film Number 1287824

Edward F. Coutre and Tillie Natzel had the following child:

16. i. **CHILD<sup>8</sup> COUTRE** (child of Edward F. Coutre and Tillie Natzel) was born between 1903-1910. Child died between 1903-1910.
8. **LOUISE ELIZABETH<sup>7</sup> NATZEL** (Wilhelmina 'Minnie'<sup>6</sup> Krause, Charles 'Karl', ?) was born on 24 November 1889 in Chicago, Cook Co., IL<sup>3</sup>. She died on 13 April 1974 in Chicago, Cook Co., IL<sup>3</sup>. She married August Seidelmann (son of John Seidelmann and Anna Laplanche) on 18 February 1911 in Kane Co., IL. He was born on 25 August 1888 in Aurora, DuPage Co., IL<sup>4-5</sup>. He died on 23 September 1947 in Chicago, Cook Co., IL.

Notes for Louise Elizabeth Natzel:

Ref:

1930 Census, Elmwood Park Village, Leyden Twp., Cook Co., IL, ED#16-2909, p 8A/107A, family#197, frame 15/39, taken 7 Apr 1930, age 40, first marr age 20  
1940 Census, Chicago(Ward#21), Cook Co., IL, ED#103-1390, p11A/??, family#230, frame 21/28, taken 10 Apr 1940, age 52

Cook County, Illinois, Birth Certificates Index, 1871-1922

[View Record](#)

Name Louise Natzel

Birth Date 24 Nov 1889

Birth Place Chicago, Cook, Illinois

Gender Female

Father Carl Natzel

Mother Wilhelmine Krause

---

---

**Generation 2 (cont.)**

FHL Film Number        1287894

Elizabeth Seidelmann in the U.S., Social Security Death Index, 1935-2014

Name: Elizabeth Seidelmann  
SSN: 330-44-7377  
Last Residence:  
60639 Chicago, Cook, Illinois, USA  
BORN: 24 Nov 1889  
Died: Apr 1974  
State (Year) SSN issued:        Illinois (1965-1966)

Name Elizabeth Seidelmann  
Event Type        Death  
Event Date        13 Apr 1974  
Event Place        Chicago, Cook, Illinois, United States  
Address            4645 W Wrightwood  
Gender Female  
Age        84  
Marital Status    Widowed  
Race        White  
Occupation        Housewife  
Birth Date        24 Nov 1889  
Birthplace        , , Illinois  
Funeral Home     Wm C Smith Sons Inc  
Burial Date        15 Apr 1974  
Burial Place        Chicago, , Illinois  
Cemetery          Montrose  
Father's Name     Charles Natzel  
Informant's Name        C A Mickus  
Entry Number     609906

Notes for August Seidelmann:

Ref:

1930 Census, Elmwood Park Village, Leyden Twp., Cook Co., IL, ED#16-2909, p 8A/107A, family#197, frame 15/39, taken 7 Apr 1930, age 41, first marr age 21

1940 Census, Chicago(Ward#21), Cook Co., IL, ED#103-1390, p11A/??, family#230, frame 21/28, taken 10 Apr 1940, age 51

August Seidelman in the Illinois, Deaths and Stillbirths Index, 1916-1947

Name: August Seidelman  
Birth Date:        25 Aug 1889  
Birth Place:        Chicago, Ill  
Death Date:        23 Sep 1947  
Death Place:        Chicago, Cook, Illinois  
Burial Date:        27 Sep 1947  
Burial Place:        Chicago, Cook, Ill.  
Cemetery Name:        Montrose  
Death Age:        58  
Occupation:        Shipping Clerk  
Race:        White  
Marital Status:     M  
Gender:        Male  
Residence:        Chicago, Cook, Illinois  
Father Name:        John Seidelman  
Father Birth Place:        Chicago, Ill.

---

---

### Generation 2 (cont.)

Mother Name: Anna Lapland  
Mother Birth Place: Chicago, Ill.  
Spouse Name: Elizabeth  
FHL Film Number: 1991638

Relationship Notes for August Seidelmann and Louise Elizabeth Natzel:  
Elisabeth Natzel in the Illinois, County Marriages, 1800-1940  
Illinois, County Marriages, 1800-1940

Name: Elisabeth Natzel  
Gender: Female  
Age: 20  
Birth Date: abt 1891  
Marriage Date: 18 Feb 1911  
Marriage Place: Kane, Illinois, USA  
Father: Chas Natzel  
Mother: Minnie Natzel  
Spouse: August Seidelmann  
Film Number: 001481110

Name: August Seidelmann  
Gender: Male  
Age: 22  
Birth Date: abt 1889  
Marriage Date: 18 Feb 1911  
Marriage Place: Kane, Illinois, USA  
Father: John Seidelmann  
Mother: Anna Laplanche  
Spouse: Elisabeth Natzel  
Film Number: 001481110

August Seidelmann and Louise Elizabeth Natzel had the following children:

- +17. i. GERTRUDE<sup>8</sup> SEIDELMANN (daughter of August Seidelmann and Louise Elizabeth Natzel) was born between 1911-1912 in IL. She died in September 1953 in Chicago, Cook Co., IL. She married HAROLD ELMO MOFFETT. He was born on 16 April 1909 in Erie, Whiteside Co., IL<sup>6</sup>. He died on 17 September 1987 in San Pedron, Los Angeles Co., CA<sup>6</sup>.
- +18. ii. AUGUST JOHN SEIDELMANN (son of August Seidelmann and Louise Elizabeth Natzel) was born on 29 November 1912 in Chicago, Cook Co., IL. He died on 01 October 1993 in Franklin Park, Cook Co., IL. He married MARION ELIZABETH SYVERSON. She was born on 27 February 1914 in Chicago, Cook Co., IL. She died on 12 March 2000 in Franklin Park, Cook Co., IL.

---

### Generation 3

9. **ELSIE FLORENCE<sup>8</sup> NATZEL** (Theodore Albert<sup>7</sup>, Wilhelmina 'Minnie'<sup>6</sup> Krause, Theodore Albert<sup>7</sup>, Charles 'Karl', ?) was born on 04 January 1899 in Chicago, Cook Co., IL. She died on Dead. She married Harry H. Slawson (son of William Slawson) on 05 November 1915 in Chicago, Cook Co., IL. He was born on 09 January 1894 in Chicago, Cook Co., IL. He died on 22 June 1945 in Chicago, Cook Co., IL.

Notes for Elsie Florence Natzel:

Ref:

1910 Census, Chicago(Ward#22), Cook Co., IL, ED#947, p14A-B/142A-B, family#295, frame 27-28/42, taken 29 Apr 1910, age 11, name: Alsie(looks like it should be Elsie)  
1920 Census, Chicago(Ward#28), Cook Co., IL, ED#1740, p7B/154B, family# 168, frame 14/20, taken 10 Jan 1920, age 21, name: Emma  
1930 Census, Chicago(Ward# 38), Cook Co., IL, ED#2747, p2A/135A, family#34, frame 3/29,



---

### Generation 3 (cont.)

taken 2 Apr 1930, age 31, first marr age 18, name: Elsie E.  
1940 Census, Chicago(Ward#34), Cook Co., IL, ED#103-2159, p7A/31094A, family#142, frame 13/35, taken 11 Apr 1940, age 41, name: Emma

Notes for Harry H. Slawson:

Ref:

1920 Census, Chicago(Ward#28), Cook Co., IL, ED#1740, p7B/154B, family# 168, frame 14/20, taken 10 Jan 1920, age 26

1930 Census, Chicago(Ward# 38), Cook Co., IL, ED#2747, p2A/135A, family#34, frame 3/29, taken 2 Apr 1930, age 36, first marr age 22

1940 Census, Chicago(Ward#34), Cook Co., IL, ED#103-1694, p5A/24208A, family#248, frame 9/46, taken 20 Apr 1940, age 46 (all persons on page are individuals shown as head, single??).

Supp question father b WI, mother b NY

Harry H. Slawson and Elsie Florence Natzel had the following children:

19. i. HARRIET<sup>9</sup> SLAWSON (daughter of Harry H. Slawson and Elsie Florence Natzel) was born on 28 June 1918 in Chicago, Cook Co., IL<sup>3</sup>. She died on 13 March 1994<sup>3</sup>.

Notes for Harriet Slawson:

Ref:

1920 Census, Chicago(Ward#28), Cook Co., IL, ED#1740, p7B/154B, family# 168, frame 14/20, taken 10 Jan 1920, age 1

1930 Census, Chicago(Ward# 38), Cook Co., IL, ED#2747, p2A/135A, family#34, frame 3/29, taken 2 Apr 1930, age 12

20. ii. MABLE SLAWSON (daughter of Harry H. Slawson and Elsie Florence Natzel) was born in 1920. She died in 1920.
- +21. iii. JEAN LILLIAN SLAWSON (daughter of Harry H. Slawson and Elsie Florence Natzel) was born on 14 June 1922 in Chicago, Cook Co., IL. She died on 15 May 1977 in Chicago, Cook Co., IL. She married EDWARD JOSEPH LEBEDA. He was born on 08 October 1915 in Chicago, Cook Co., IL<sup>5</sup>. He died on 26 December 1985.
- +22. iv. RUSSELL LEROY SLAWSON (son of Harry H. Slawson and Elsie Florence Natzel) was born on 08 January 1924 in Chicago, Cook Co., IL. He died on 15 April 1999 in Chicago, Cook Co., IL. He married Gladys Juanita Hall on 03 September 1944 in Tyronza, Poinsett, Arkansas, USA<sup>10</sup>. She was born on 01 September 1926 in Chicago, Cook Co., IL<sup>10</sup>. She died on 12 December 1955 in Chicago, Cook Co., IL.
23. v. FREDERIC T. SLAWSON (son of Harry H. Slawson and Elsie Florence Natzel) was born on 24 November 1925 in Chicago, Cook Co., IL<sup>11</sup>. He died on 13 April 2013. He married ETHEL M. ????. She was born on 04 August 1927<sup>11</sup>. She died on 15 December 2005.

Notes for Frederic T. Slawson:

Ref:

1930 Census, Chicago(Ward# 38), Cook Co., IL, ED#2747, p2A/135A, family#34, frame 3/29, taken 2 Apr 1930, age 5, name: Frederic

1940 Census, Chicago(Ward#34), Cook Co., IL, ED#103-2159, p7A/31094A, family#142, frame 13/35, taken 11 Apr 1940, age 14, name: Fred

- +24. vi. VIOLA VIVIAN SLAWSON (daughter of Harry H. Slawson and Elsie Florence Natzel) was born on 19 March 1929 in Chicago, Cook Co., IL. She died on 24 March 2001 in Round Lake, Lake, Illinois, USA. She married EDWARD RICHLINSKI.
11. **CLARA STELLA<sup>8</sup> NATZEL** (Theodore Albert<sup>7</sup>, Wilhelmina 'Minnie'<sup>6</sup> Krause, Theodore Albert<sup>7</sup>, Charles 'Karl', ?) was born on 21 February 1904 in Chicago, Cook Co., IL<sup>7</sup>. She died on 16 March 1996 in Wheathead, Jasper Co., IN<sup>7</sup>. She married (1) **LEROY PETER TYRE** (son of Paris Sylvester Tyre and Nancy Janie 'Jennie' Artrip) before 1924. He was born on 10 February 1904 in IN. He died on 16 January 1963 in Porter Co., IN. She married (2) **? TYLER** after 1963.

Notes for Clara Stella Natzel:

Ref:

---

---

### Generation 3 (cont.)

1910 Census, Chicago(Ward#22), Cook Co., IL, ED#947, p14A-B/142A-B, family#295, frame 27-28/42, taken 29 Apr 1910, age 6

1930 Census, Chicago(Ward#34), Cook Co., IL, ED#1158, p19A/106A, family#404, frame 34/39, taken 14 Apr 1930, age 26, first marr age 21

Notes for Leroy Peter Tyre:

Ref:

1930 Census, Chicago(Ward#34), Cook Co., IL, ED#1158, p19A/106A, family#404, frame 34/39, taken 14 Apr 1930, age 26, first marr age 21

1940 Census, Chicago(Ward#34), Cook Co., IL, ED#103-2158, p12B/31078, family#331, frame 24/42, taken 16 Apr 1940, age 36

Leroy Peter Tyre and Clara Stella Natzel had the following children:

25. i. LIVING TYRE (son of Leroy Peter Tyre and Clara Stella Natzel).
- +26. ii. THEODORE ROBERT TYRE (son of Leroy Peter Tyre and Clara Stella Natzel) was born on 15 March 1927 in Chicago, Cook Co., IL<sup>3, 8</sup>. He died on 01 August 1994 in Hobart, Lake Co., IN<sup>3</sup>. He married (1) MONA LEE KERNS (daughter of Clifford Dean Kerns and Marietta Ruth Wicks) date Unknown in ?. She was born on 28 November 1931 in Kouts, Porter Co., IN<sup>8</sup>. He married (2) ? ???.
27. iii. LIVING TYRE (daughter of Leroy Peter Tyre and Clara Stella Natzel). She married LIVING WOOLBRANDT.

13. **OTELIA 'TILLIE' A.<sup>8</sup> NATZEL** (Theodore Albert<sup>7</sup>, Wilhelmina 'Minnie'<sup>6</sup> Krause, Theodore Albert<sup>7</sup>, Charles 'Karl', ?) was born on 30 August 1908 in Chicago, Cook Co., IL. She died on 08 July 1990 in Palatine, Cook Co., IL. She married Oscar Rowlett on 01 September 1923 in Chicago, Cook Co., IL. He was born about 1903 in TN. He died on 16 March 1928 in Chicago, Cook Co., IL.

Oscar Rowlett and Otelia 'Tillie' A. Natzel had the following child:

28. i. HAROLD ALBERT<sup>9</sup> ROWLETT (son of Oscar Rowlett and Otelia 'Tillie' A. Natzel) was born on 20 December 1927 in Chicago, Cook Co., IL. He died in April 1979 in Knox, Stark Co., IN.

14. **ALBERT THEODORE<sup>8</sup> NATZEL** (Theodore Albert<sup>7</sup>, Wilhelmina 'Minnie'<sup>6</sup> Krause, Theodore Albert<sup>7</sup>, Charles 'Karl', ?) was born on 12 September 1914 in Chicago, Cook Co., IL<sup>1</sup>. He died on 20 March 1984 in Melrose Park, Cook Co., IL<sup>1</sup>. He married Helen Beatrice Pytko on 06 March 1934 in Cook Co., IL. She was born on 15 February 1916 in IL<sup>1</sup>. She died on 27 November 1984 in Melrose Park, Cook Co., IL<sup>1</sup>.

Albert Theodore Natzel and Helen Beatrice Pytko had the following child:

- +29. i. LIVING NATZEL (daughter of Albert Theodore Natzel and Helen Beatrice Pytko). She married LIVING SMOCZYNSKI.

17. **GERTRUDE<sup>8</sup> SEIDELMANN** (Louise Elizabeth<sup>7</sup> Natzel, Wilhelmina 'Minnie'<sup>6</sup> Krause, August, John) was born between 1911-1912 in IL. She died in September 1953 in Chicago, Cook Co., IL. She married **HAROLD ELMO MOFFETT**. He was born on 16 April 1909 in Erie, Whiteside Co., IL<sup>6</sup>. He died on 17 September 1987 in San Pedron, Los Angeles Co., CA<sup>6</sup>.

Notes for Gertrude Seidelmann:

Ref:

1930 Census, Elmwood Park Village, Leyden Twp., Cook Co., IL, ED#16-2909, p 8A/107A, family#197, frame 15/39, taken 7 Apr 1930, age 19, first marr age 18

1940 Census, Chicago(Ward#21), Cook Co., IL, ED#103-1390, p11A/??, family#230, frame 21/28, taken 10 Apr 1940, age 28, married

Notes for Harold Elmo Moffett:

Ref:

1930 Census, Elmwood Park Village, Leyden Twp., Cook Co., IL, ED#16-2909, p 8A/107A, family#197, frame 15/39, taken 7 Apr 1930, age 21, first marr age 20, son-in-law, in home of August Seidelmann

Harold E. Moffett in the U.S., Social Security Death Index, 1935-2014

---

---

### Generation 3 (cont.)

Name: Harold E. Moffett  
SSN: 337-09-7759  
Last Residence:  
90732 San Pedro, Los Angeles, California, USA  
BORN: 16 Apr 1909  
Died: 17 Sep 1987  
State (Year) SSN issued: Illinois (Before 1951)

Harold Elmo Moffett and Gertrude Seidemann had the following children:

30. i. HAROLD A.<sup>9</sup> MOFFETT SR. (son of Harold Elmo Moffett and Gertrude Seidemann) was born on 26 April 1929 in Cook Co., IL<sup>3, 8-9</sup>. He died on 03 February 2009 in Toledo, OH<sup>3</sup>. He married LIVING ???.

Notes for Harold A. Moffett Sr.:

Ref:

1930 Census, Elmwood Park Village, Leyden Twp., Cook Co., IL, ED#16-2909, p 8A/107A, family#197, frame 15/39, taken 7 Apr 1930, age 11/12, grand-son, in home of August Seidemann

1940 Census, Chicago(Ward#21), Cook Co., IL, ED#103-1390, p11A/??, family#230, frame 21/28, taken 10 Apr 1940, age 11, grand-son, in home of August Seidelman

Harold A. Moffett in the U.S., Social Security Death Index, 1935-2014

Name: Harold A. Moffett

Last Residence:

43537 Maumee, Lucas, Ohio

BORN: 26 Apr 1929

Died: 3 Feb 2009

State (Year) SSN issued: Illinois (Before 1951)

31. ii. LIVING MOFFETT (daughter of Harold Elmo Moffett and Gertrude Seidemann).
18. **AUGUST JOHN<sup>8</sup> SEIDELMANN** (Louise Elizabeth<sup>7</sup> Natzel, Wilhelmina 'Minnie'<sup>6</sup> Krause, August, John) was born on 29 November 1912 in Chicago, Cook Co., IL. He died on 01 October 1993 in Franklin Park, Cook Co., IL. He married **MARION ELIZABETH SYVERSON**. She was born on 27 February 1914 in Chicago, Cook Co., IL. She died on 12 March 2000 in Franklin Park, Cook Co., IL.

Notes for August John Seidemann:

Ref:

1930 Census, Elmwood Park Village, Leyden Twp., Cook Co., IL, ED#16-2909, p 8A/107A, family#197, frame 15/39, taken 7 Apr 1930, age 17

August John Seidemann and Marion Elizabeth Syverson had the following children:

- +32. i. BARBARA MARIE<sup>9</sup> SEIDELMANN (daughter of August John Seidemann and Marion Elizabeth Syverson) was born on 17 November 1937 in Chicago, Cook Co., IL. She died on 16 March 1997 in Maywood, Cook Co., IL. She married Frank Dominick Varallo Jr. on 12 July 1958 in Cook Co., IL. He was born on 11 January 1930 in Chicago, Cook Co., IL. He died on 24 February 1971 in Westchester, Cook Co., IL.
- +33. ii. JAMES H. SEIDELMANN (son of August John Seidemann and Marion Elizabeth Syverson). He married ANTOINETTE ???.

---

### Generation 4

21. **JEAN LILLIAN<sup>9</sup> SLAWSON** (Elsie Florence<sup>8</sup> Natzel, Theodore Albert<sup>7</sup> Natzel, Wilhelmina 'Minnie'<sup>6</sup> Krause, Harry H., William) was born on 14 June 1922 in Chicago, Cook Co., IL. She died on 15 May 1977 in Chicago, Cook Co., IL. She married **EDWARD JOSEPH LEBEDA**. He was born on 08 October 1915 in Chicago, Cook Co., IL<sup>5</sup>. He died on 26 December 1985.

---

### Generation 4 (cont.)

Notes for Jean Lillian Slawson:

Ref:

1930 Census, Chicago(Ward# 38), Cook Co., IL, ED#2747, p2A/135A, family#34, frame 3/29, taken 2 Apr 1930, age 8, name: Lillian A.

1940 Census, Chicago(Ward#34), Cook Co., IL, ED#103-2159, p7A/31094A, family#142, frame 13/35, taken 11 Apr 1940, age 17, name: Lillian

Name: Jean Slawson

Birth Date: 14 Jun 1922

Birth Place: Chicago, Cook, Illinois

Gender: Female

Father: Harry Slawson

Mother: Elsie Natzel

FHL Film Number: 1378962

Edward Joseph Lebeda and Jean Lillian Slawson had the following children:

34. i. LIVING LEBEDA (daughter of Edward Joseph Lebeda and Jean Lillian Slawson). She married RICHARD JOSEPH SKONIECZNYI (son of Living Skoniecznyi and Living ???). He was born on 29 December 1949 in Wegberg, Erke, Germany<sup>9</sup>. He died on 10 September 1995 in IL.
  35. ii. CHARMAINE LEBEDA (daughter of Edward Joseph Lebeda and Jean Lillian Slawson).
22. **RUSSELL LEROY<sup>9</sup> SLAWSON** (Elsie Florence<sup>8</sup> Natzel, Theodore Albert<sup>7</sup> Natzel, Wilhelmina 'Minnie'<sup>6</sup> Krause, Harry H., William) was born on 08 January 1924 in Chicago, Cook Co., IL. He died on 15 April 1999 in Chicago, Cook Co., IL. He married Gladys Juanita Hall on 03 September 1944 in Tyronza, Poinsett, Arkansas, USA<sup>10</sup>. She was born on 01 September 1926 in Chicago, Cook Co., IL<sup>10</sup>. She died on 12 December 1955 in Chicago, Cook Co., IL.

Notes for Russell Leroy Slawson:

Ref:

1930 Census, Chicago(Ward# 38), Cook Co., IL, ED#2747, p2A/135A, family#34, frame 3/29, taken 2 Apr 1930, age 6

1940 Census, Chicago(Ward#34), Cook Co., IL, ED#103-2159, p7A/31094A, family#142, frame 13/35, taken 11 Apr 1940, age 16

Russell Leroy Slawson and Gladys Juanita Hall had the following child:

36. i. JAMES EDWARD<sup>10</sup> SLAWSON (son of Russell Leroy Slawson and Gladys Juanita Hall) was born on 23 December 1947 in Chicago, Cook Co., IL<sup>3</sup>. He died on 10 June 1978 in Orlando, Orange Co., FL.

Notes for James Edward Slawson:

Florida Death Index, 1877-1998

Name: James E Slawson

Race: White

Age at Death: 30

Birth Date: 23 Dec 1947

Death Date: 10 Jun 1978

Death Place: Orange, Florida, United States

24. **VIOLA VIVIAN<sup>9</sup> SLAWSON** (Elsie Florence<sup>8</sup> Natzel, Theodore Albert<sup>7</sup> Natzel, Wilhelmina 'Minnie'<sup>6</sup> Krause, Harry H., William) was born on 19 March 1929 in Chicago, Cook Co., IL. She died on 24 March 2001 in Round Lake, Lake, Illinois, USA. She married **EDWARD RICHLINSKI**.

Notes for Viola Vivian Slawson:

Ref:

1930 Census, Chicago(Ward# 38), Cook Co., IL, ED#2747, p2A/135A, family#34, frame 3/29, taken 2 Apr 1930, age 1 1/12

1940 Census, Chicago(Ward#34), Cook Co., IL, ED#103-2159, p7A/31094A, family#142, frame 13/35, taken 11 Apr 1940, age 11

---

---

### Generation 4 (cont.)

Edward Richlinski and Viola Vivian Slawson had the following child:

- +37. i. KAREN LYNN<sup>10</sup> RICHLINSKI (daughter of Edward Richlinski and Viola Vivian Slawson) was born on 04 September 1951 in Chicago, Cook Co., IL. She died on 21 February 2011 in Ashland, Boyd, Kentucky, USA. She married LIVING JOHNSON (son of Charlie Johnson and Edith Martin).
- 26. **THEODORE ROBERT<sup>9</sup> TYRE** (Clara Stella<sup>8</sup> Natzel, Theodore Albert<sup>7</sup> Natzel, Wilhelmina 'Minnie'<sup>6</sup> Krause, Leroy Peter, Paris Sylvester, John) was born on 15 March 1927 in Chicago, Cook Co., IL<sup>3</sup>. He died on 01 August 1994 in Hobart, Lake Co., IN<sup>3</sup>. He married (1) **MONA LEE KERNS** (daughter of Clifford Dean Kerns and Marietta Ruth Wicks) date Unknown in ?. She was born on 28 November 1931 in Kouts, Porter Co., IN<sup>8</sup>. He married (2) ? ???.

Notes for Theodore Robert Tyre:

Ref:

1930 Census, Chicago(Ward#34), Cook Co., IL, ED#1158, p19A/106A, family#404, frame 34/39, taken 14 Apr 1930, age 3 0/12

1940 Census, Chicago(Ward#34), Cook Co., IL, ED#103-2158, p12B/31078, family#331, frame 24/42, taken 16 Apr 1940, age 12

Theodore R. Tyre

Theodore R. Tyre, 67, of Hobart, passed away Monday, August 1, 1994. He is survived by his wife, Mona L.; one son, George (Michiko) Brazell of Valparaiso; three daughters, Yvonne (Wayne) Parduhn of Mundelein, Illinois, Annette (Ron) Allen and Stephanie Cox, both of Hobart; ten grandchildren; one great grandchild; mother, Clara Tyer of Wheatfield, Indiana; one sister, Diana (Fred) Woolbrandt of Gadsden, Alabama.

Funeral services Wednesday, August 3, 1994, 11 a.m at Trinity Lutheran Church, 900 Luther Drive, Hobart, IN., Rev. Gary Nagy officiating. Entombment at Calumet Park Mausoleum, Merrillville. Visitation Tuesday 2 to 5 and 7 to 9 p.m. at the Rees Funeral Home, 600 West Old Ridge Road, Hobart. 219-942-2109.

Mr. Tyre was a Hobart resident for 34 years; a retired consultant with Inland Steel with 39 years of service; member of Trinity Lutheran Church and a U.S. Navy veteran of World War II.

Theodore Robert Tyre and Mona Lee Kerns had the following children:

- 38. i. YVONNE<sup>10</sup> TYRE (daughter of Theodore Robert Tyre and Mona Lee Kerns) was born date Unknown in ?. She married WAYNE PARDUHN.
- +39. ii. ANNETTE TYRE (daughter of Theodore Robert Tyre and Mona Lee Kerns) was born date Unknown in ?. She married Ronald 'Ron' Allen date Unknown in ?. He was born date Unknown in ?.
- +40. iii. LIVING TYRE (daughter of Theodore Robert Tyre and Mona Lee Kerns). She married (1) DONALD MICHAEL COX. He was born on 17 October 1949 in IL<sup>8</sup>. He died on 08 April 2012 in Porter Co., IN. She married (2) LIVING MERGL.

Theodore Robert Tyre and ? ??? had the following child:

- 41. i. GEORGE<sup>10</sup> BRAZELL (son of Theodore Robert Tyre and ? ???) was born date Unknown in ?. He married MICHIKO ???.
- 29. **LIVING NATZEL** (Albert Theodore<sup>8</sup>, Theodore Albert<sup>7</sup>, Wilhelmina 'Minnie'<sup>6</sup> Krause, Albert Theodore<sup>8</sup>, Theodore Albert<sup>7</sup>, Charles 'Karl', ?). She married **LIVING SMOCZYNSKI**.

Living Smoczynski and Living Natzel had the following child:

- 42. i. LIVING SMOCZYNSKI (son of Living Smoczynski and Living Natzel).
- 32. **BARBARA MARIE<sup>9</sup> SEIDELMANN** (August John<sup>8</sup>, Louise Elizabeth<sup>7</sup> Natzel, Wilhelmina 'Minnie'<sup>6</sup> Krause, August John<sup>8</sup>, August, John) was born on 17 November 1937 in Chicago, Cook Co., IL. She died on 16 March 1997 in Maywood, Cook Co., IL. She married Frank Dominick Varallo Jr. on 12 July 1958 in Cook Co., IL. He was born on 11 January 1930 in Chicago, Cook Co., IL. He died on 24 February 1971 in Westchester, Cook Co., IL.

---

### Generation 4 (cont.)

Frank Dominick Varallo Jr. and Barbara Marie Seidelmann had the following children:

- 43. i. LORI<sup>10</sup> VARALLO (daughter of Frank Dominick Varallo Jr. and Barbara Marie Seidelmann).
  - +44. ii. JAY SCOTT VARALLO (son of Frank Dominick Varallo Jr. and Barbara Marie Seidelmann) was born on 09 August 1963 in Chicago, Cook Co., IL. He died on 21 May 2014 in Little River, Montgomery, North Carolina, USA. He married SHEILA BARBOUR.
33. **JAMES H.<sup>9</sup> SEIDELMANN** (August John<sup>8</sup>, Louise Elizabeth<sup>7</sup> Natzel, Wilhelmina 'Minnie'<sup>6</sup> Krause, August John<sup>8</sup>, August, John). He married **ANTOINETTE ???**.  
James H. Seidelmann and Antoinette ??? had the following children:
- +45. i. JENNIFER ANNE<sup>10</sup> SEIDELMANN (daughter of James H. Seidelmann and Antoinette ???) was born on 21 March 1973 in Chicago, Cook Co., IL. She died on 30 August 2009 in Raleigh, Wake Co., NC. She married LIVING ANDREWS (son of Joseph Andrews and Mary ???).
  - +46. ii. ELIZABETH SEIDELMANN (daughter of James H. Seidelmann and Antoinette ???). She married JACK BATAOEL.

---

### Generation 5

37. **KAREN LYNN<sup>10</sup> RICHLINSKI** (Viola Vivian<sup>9</sup> Slawson, Elsie Florence<sup>8</sup> Natzel, Theodore Albert<sup>7</sup> Natzel, Wilhelmina 'Minnie'<sup>6</sup> Krause, Edward) was born on 04 September 1951 in Chicago, Cook Co., IL. She died on 21 February 2011 in Ashland, Boyd, Kentucky, USA. She married **LIVING JOHNSON** (son of Charlie Johnson and Edith Martin).

Notes for Karen Lynn Richlinski:

Karen Lynn Richlinski Johnson

Birth 4 Sep 1951

Chicago, Cook County, Illinois, USA

Death 21 Feb 2011 (aged 59)

Ashland, Boyd County, Kentucky, USA

Burial Cremated, Location of ashes is unknown

Karen Lynn Johnson

Born September 4, 1951

Died February 21, 2011

Name: Karen Lynn Johnson Age: 59 of: Topmost, Kentucky

Date of Birth: September 4, 1951 Where: Chicago, Illinois

Date of Death: Monday, February 21, 2011

Where: King-s Daughters Medical Center, Ashland, Kentucky

Facts of Importance: Disabled Manger for Walmart

Parents: Daughter of Thomas Richlinski & Viola Sluthson Richlinski

Husband or Wife: Wife of Emmitt Johnson

Other Survivors: Husband; One Son: Emmitt Johnson Jr. of Chicago, Illinois; Two Daughters: Tina Marie Mitchell Nicoline and Bobbie Jean Robert Burns both of Chicago, Illinois; Seven Grandchildren: Vincent, Raven, Samantha, Joshua, Dennis, Daniel & Krystal; A Host of family & Friends

Living Johnson and Karen Lynn Richlinski had the following children:

---

---

### Generation 5 (cont.)

47. i. LIVING JOHNSON JR. (son of Living Johnson and Karen Lynn Richlinski).
48. ii. LIVING JOHNSON (daughter of Living Johnson and Karen Lynn Richlinski).
49. iii. LIVING JOHNSON (daughter of Living Johnson and Karen Lynn Richlinski).
39. **ANNETTE<sup>10</sup> TYRE** (Theodore Robert<sup>9</sup>, Clara Stella<sup>8</sup> Natzel, Theodore Albert<sup>7</sup> Natzel, Wilhelmina 'Minnie'<sup>6</sup> Krause, Theodore Robert<sup>9</sup>, Leroy Peter, Paris Sylvester, John) was born date Unknown in ?. She married Ronald 'Ron' Allen date Unknown in ?. He was born date Unknown in ?.
- Ronald 'Ron' Allen and Annette Tyre had the following children:
50. i. **DAU<sup>11</sup> ALLEN** (daughter of Ronald 'Ron' Allen and Annette Tyre).
51. ii. **CRAIG MICHAEL ALLEN** (son of Ronald 'Ron' Allen and Annette Tyre) was born on 27 January 1979. He died on 17 July 2009 in St. Cloud, MN.
40. **LIVING TYRE** (Theodore Robert<sup>9</sup>, Clara Stella<sup>8</sup> Natzel, Theodore Albert<sup>7</sup> Natzel, Wilhelmina 'Minnie'<sup>6</sup> Krause, Theodore Robert<sup>9</sup>, Leroy Peter, Paris Sylvester, John). She married (1) **DONALD MICHAEL COX**. He was born on 17 October 1949 in IL<sup>8</sup>. He died on 08 April 2012 in Porter Co., IN. She married (2) **LIVING MERGL**.
- Donald Michael Cox and Living Tyre had the following child:
- +52. i. **LIVING COX** (daughter of Donald Michael Cox and Living Tyre). She married **LIVING DUCAN**.
44. **JAY SCOTT<sup>10</sup> VARALLO** (Barbara Marie<sup>9</sup> Seidelmann, August John<sup>8</sup> Seidelmann, Louise Elizabeth<sup>7</sup> Natzel, Wilhelmina 'Minnie'<sup>6</sup> Krause, Frank Dominick Jr.) was born on 09 August 1963 in Chicago, Cook Co., IL. He died on 21 May 2014 in Little River, Montgomery, North Carolina, USA. He married **SHEILA BARBOUR**.
- Jay Scott Varallo and Sheila Barbour had the following child:
53. i. **DOMINICK<sup>11</sup> VARALLO** (son of Jay Scott Varallo and Sheila Barbour) was born on 12 March 1989. He died on 30 October 2014 in Myrtle Beach, Horry Co., SC.
45. **JENNIFER ANNE<sup>10</sup> SEIDELMANN** (James H.<sup>9</sup>, August John<sup>8</sup>, Louise Elizabeth<sup>7</sup> Natzel, Wilhelmina 'Minnie'<sup>6</sup> Krause, James H.<sup>9</sup>, August John<sup>8</sup>, August, John) was born on 21 March 1973 in Chicago, Cook Co., IL. She died on 30 August 2009 in Raleigh, Wake Co., NC. She married **LIVING ANDREWS** (son of Joseph Andrews and Mary ???).

#### Notes for Jennifer Anne Seidelmann:

Jennifer Anne Seidelmann Andrews RALEIGH Jennifer Anne Seidelmann Andrews 36 of Raleigh passed away at 10:59 pm on Monday August 31st at oDuke University Hospital surrounded by her family and friends -4 A service of celebration of her life will be held Friday September 4th at 1:00 pm at Grace Lutheran Church 5010 Six Forks Road in Raleigh with Pastqr Michael Frye officiating Jennifer was born on March 21 1973 in Maywood Illinois daughter of James and Antoinette Seidelmann formerly of Oak Park IL now of Moneta VA She is survived by her husband Patrick (PJ) son Justin parents James and Antoinette Seidelmann sister Elizabeth (Jack) Bataoel nephew and niece Zachary and Marion Bataoel in-laws Joseph and Mary Andrews Casey (Willie) Byrne niece Rose Byrne Becca Andrews and numerous aunts uncles cousins and friends Jennifer was an amazing mother wife daughter sister auntie and friend She loved spending time with people the outdoors reading fishing photography movies theatre acting writing the ocean spending time with her family and of course watching Steelers football and Hurricanes Hockey games Jenny and PJ always opened their home for family friends and neighborhood celebrations She was involved in her neighborhood on many levels including organizing a yearly turkey bowl on Thanksgiving morning As a real estate agent Jennifer was devoted to treating her clients like family In her short 36 years she touched many lives with her caring spirit and devotion to helping others Jen had a very strong faith knowing even throughout her illness that God had a plan for her whatever that might be. Jenny was a beautiful young woman and her internal beauty was equally amazing The family would like to extend their extreme gratitude to all of Jennifer's caregivers at Duke University Medical Center for all they have done for her for the past 16 months and beyond In lieu of flowers please send memorial gifts to the Jennifer Andrews Family Trust cio Scott Moesta 8366 Six Forks Rd Ste 104 Raleigh NC 27615 or to The Duke Liver Research Fund do Andrew Muir DUMC Box 3913 Durham NC 27710

Living Andrews and Jennifer Anne Seidelmann had the following child:

---

### Generation 5 (cont.)

54. i. LIVING ANDREWS (son of Living Andrews and Jennifer Anne Seidelmann).
46. **ELIZABETH**<sup>10</sup> **SEIDELMANN** (James H.<sup>9</sup>, August John<sup>8</sup>, Louise Elizabeth<sup>7</sup> Natzel, Wilhelmina 'Minnie'<sup>6</sup> Krause, James H.<sup>9</sup>, August John<sup>8</sup>, August, John). She married **JACK BATAOEL**.  
Jack Bataoel and Elizabeth Seidelmann had the following children:
55. i. ZACHARY<sup>11</sup> BATAOEL (son of Jack Bataoel and Elizabeth Seidelmann).
56. ii. MARION BATAOEL (daughter of Jack Bataoel and Elizabeth Seidelmann).

---

### Generation 6

52. **LIVING COX** (Living Tyre, Theodore Robert<sup>9</sup> Tyre, Clara Stella<sup>8</sup> Natzel, Theodore Albert<sup>7</sup> Natzel, Wilhelmina 'Minnie'<sup>6</sup> Krause, Donald Michael). She married **LIVING DUCAN**.  
Living Ducan and Living Cox had the following children:
57. i. LIVING DUCAN (son of Living Ducan and Living Cox).
58. ii. LIVING DUCAN (daughter of Living Ducan and Living Cox).

---

### Sources

- 1 Find A Grave.
- 2 Marriage Index, Cook Co., IL.
- 3 SSDI.
- 4 WWI Draft Registration Card.
- 5 WWII Draft Registration Card.
- 6 CDI: California Death Index.
- 7 Certificate of Death.
- 8 USPRI: U.S. Public Record Index, Vol 1.
- 9 USPRI: U.S. Public Record Index, Vol 2.
- 10 Certificate of Marriage, Record of Marriage AK: 1917-1969.
- 11 USPRI: U.S. Public Record Index, Vol 1.

Prepared By:

Preparer:	Arnold Edwin Krause	Address:	1611 Arlington Ave
Phone:	306 374 3348		Saskatoon, Saskatchewan S7H2Y6
Email:	arnie-krause@shaw.ca		Canada



# Descendants of Augusta M. Krause

---

## Generation 1

1. **AUGUSTA M.<sup>6</sup> KRAUSE** (Gggf<sup>5</sup>, ?-A<sup>4</sup>, Branch-One-A<sup>3</sup>, Haplogroup-I2a-F3744-Positive<sup>2</sup>, Schlochau-Branches<sup>1</sup>) was born on 06 February 1855 in from Friedrichshof, Kreis Schlochau, WPR<sup>1</sup>. She died on 08 October 1929 in Elgin, Kane Co., IL<sup>1</sup>. She married **GUSTAV THEODORE SCHEWE** (son of Carl Schewe and Caroline Hartwig). He was born on 31 December 1855 in from Friedrichshof, Kreis Schlochau, WPR. He died in 1913<sup>1</sup>.

Notes for Augusta M. Krause:

The maiden name of the wife of Gustave Schewe/Schiewe is unknown but is being assumed to be Krause as explained below.

This person appears to be a sibling of Johann/John and Herman Krause as she is from from Friedrichshof, Kr. Schlochau, WPR, the same small village that the family of John Krause was from. Both the Krause and Schewe Families were from Friedrichshof and indicated they were going to Michigan, USA. This connection has been proven from DNA matches at Ancestry.com for Arnold Krause[AEK Nov. 16, 2021]. Anyone with information on this Schewe family line is asked to please send an email to:

see pseudo person notes: 00ReadMeFirst-01

Only by sharing information it may be possible to make the proper connections for this family line.

The following was received from Tory Suehs, 28 Apr 2018:

As I was straightening things out in my tree, I realized a little tidbit, that I think supports the Augusta (Krause?) Schewe connection. I was looking at the ship manifests, and it has the two Krause families (Johan's wife, Herman's family) then the Schewe family, but also grouped with them is Mathilda and Heinrich Kipke. Mathilda is Christine (Voss) Krause's sister. I noticed in your tree you just have Mathilda married to Kipke, it didn't have a first name. But I do believe that this Mathilda and Heinrich are them. I think it just supports all of the Krause, Schewes and Kipke being related to either Herman or Christine.

Ref: Possible family in 1900 census

1900 Census, Bartlett Village, Hanover Twp., Cook Co., IL, ED#1162, p16B/249B, family#230, frame 32/43, taken 20 June 1900, age 45(Feb 1855), marr 16 yrs, 11 children, 7 living, imm 1886, name: Augusta Schewe

1910 Census, Hanover Twp., Cook Co., IL, ED#30, p11B/11B, family#161, frame 22/26, taken 7-9 May 1910, age 53, second marriage, marr 24 yrs, 11 children, 7 living

1920 Census, Hanover Twp., Cook Co., IL, ED#89, p8A/167A, family#156, frame 15/19, taken 15-16 Jan 1920, age 64, widow, imm 1884, name: Augusta Schave

Notes for Gustav Theodore Schewe:

This family came on the same ship as the Krause family. Both were from Friedrichshof, Kreis Schlochau, West Prussia. There may be some relationship to the Krause name as the name Augusta is the first daughter of the Krause families for two different families. See Carl Gustav William Krause's siblings and the Herman Krause family for information on naming patterns. This information for the Gustav Schewe family was obtained from the Hamburg ship lists (Direct).

Ref: Possible family in 1900 census

1900 Census, Bartlett Village, Hanover Twp., Cook Co., IL, ED#1162, p16B/249B, family#230, frame 32/43, taken 20 June 1900, age 44(Dec 1855), marr 16 yrs, imm 1886, name: Gustav Schewe

1910 Census, Hanover Twp., Cook Co., IL, ED#30, p11B/11B, family#161, frame 22/26, taken 7-9 May 1910, age 50, marr 24 yrs, first marriage, imm 18?3(looks like 1863 or 1883??), name:

Gustave Schave

Source & proof for birth and baptism dates:

Name: Gustav Theodor Schewe

Gender: Male

Birth Date: 31 Dec

Baptism Date: 20. Jan 1856 (20 Jan 1856)

---

### Generation 1 (cont.)

Baptism Place: Evangelisch-Lutherische, Konitz, Westpreussen, Prussia

Father:

Carl Schewe

Mother:

Caroline Hartwig

FHL Film Number: 245406, 245408, 245409

Gustav Theodore Schewe and Augusta M. Krause had the following children:

2. i. WILHELM<sup>7</sup> SCHEWE (son of Gustav Theodore Schewe and Augusta M. Krause) was born between 1877-1878. He died on Dead.
3. ii. JOHANN SCHEWE (son of Gustav Theodore Schewe and Augusta M. Krause) was born between 1880-1881 in Friedrichshof, Kreis Schlochau, West Prussia. He died on Dead.
4. iii. MATTHEW SCHEWE (son of Gustav Theodore Schewe and Augusta M. Krause) was born about November 1883 in Friedrichshof, Kreis Schlochau, West Prussia. He died on Dead.

Notes for Matthew Schewe:

age 11 months on ship list

- +5. iv. EMMA SCHEWE (daughter of Gustav Theodore Schewe and Augusta M. Krause) was born on 22 August 1888 in Hanover Twp., Cook, IL. She died on Dead. She married Frank Knaak Sr. between 1907-1908. He was born on 11 February 1877 in Dundee, Kane Co., Illinois, USA. He died on 18 April 1942 in Cook Co., IL.
- +6. v. PAULINE J. SCHEWE (daughter of Gustav Theodore Schewe and Augusta M. Krause) was born in May 1892 in Hanover Twp., Cook, IL. She died on 20 February 1962 in Cook Co., IL. She married Albert William Knaak on 25 June 1919 in Bartlett, Cook Co., IL. He was born on 30 October 1880 in Barrinton, Cook Co., IL<sup>2-3</sup>. He died on 25 July 1953 in Elgin, Kane Co., IL.
- +7. vi. MINNIE SCHEWE (daughter of Gustav Theodore Schewe and Augusta M. Krause) was born on 21 August 1894 in Hanover Twp., Cook, IL<sup>1</sup>. She died on 01 January 1981 in Elgin, Kane Co., IL<sup>1</sup>. She married Henry Joseph Drehobl on 12 April 1919 in Cook Co., IL. He was born on 11 August 1898 in Cook Co., IL<sup>1</sup>. He died on 31 March 1962 in Cook Co., IL<sup>1</sup>.
8. vii. MARTHA SCHEWE (daughter of Gustav Theodore Schewe and Augusta M. Krause) was born in January 1897 in Hanover Twp., Cook, IL. She died on Dead.

Notes for Martha Schewe:

Ref: Possible family in 1900 census

1900 Census, Bartlett Village, Hanover Twp., Cook Co., IL, ED#1162, p16B/249B, family#230, frame 32/43, taken 20 June 1900, age 3 (Jan 1897)

1910 Census, Hanover Twp., Cook Co., IL, ED#30, p11B/11B, family#161, frame 22/26, taken 7-9 May 1910, age 13, name: Martha Schave

1920 Census, Hanover Twp., Cook Co., IL, ED#89, p8A/167A, family#156, frame 15/19, taken 15-16 Jan 1920, age 22, name: Martha Schave

---

### Generation 2

5. **EMMA<sup>7</sup> SCHEWE** (Augusta M.<sup>6</sup> Krause, Gustav Theodore, Carl, ?-2, Branch-Two Schiewe, Root-Schiewe) was born on 22 August 1888 in Hanover Twp., Cook, IL. She died on Dead. She married Frank Knaak Sr. between 1907-1908. He was born on 11 February 1877 in Dundee, Kane Co., Illinois, USA. He died on 18 April 1942 in Cook Co., IL.

Notes for Emma Schewe:

Ref: Possible family in 1900 census

1900 Census, Bartlett Village, Hanover Twp., Cook Co., IL, ED#1162, p16B/249B, family#230, frame 32/43, taken 20 June 1900, age 11 (Aug 1888)

1910 Census, Hanover Twp., Cook Co., IL, ED#30, p12A/12A, family#165, frame 23/26, taken 10

---

## Generation 2 (cont.)

May 1910, age 20, marr 2 yrs, 0 children, 0 living  
1920 Census, Hanover Twp., Cook Co., IL, ED#89, p8A/167A, family#155, frame 15/19, taken 15-16 Jan 1920, age 32  
1930 Census, Hanover Twp., Cook Co., IL, ED#2143, p 8B/195B, family#196, frame 16/25, taken 25 Apr 1930, age 41, first marr age 18  
1940 Census, Hanover Twp., Cook Co., IL, ED#16-222, p8A/4043A, family#149, frame 15/32, taken 1 May 1940, age 52

Notes for Frank Knaak Sr.:

Ref:

1910 Census, Hanover Twp., Cook Co., IL, ED#30, p12A/12A, family#165, frame 23/26, taken 10 May 1910, age 33, marr 2 yrs  
1920 Census, Hanover Twp., Cook Co., IL, ED#89, p8A/167A, family#155, frame 15/19, taken 15-16 Jan 1920, age 42  
1930 Census, Hanover Twp., Cook Co., IL, ED#2143, p 8B/195B, family#196, frame 16/25, taken 25 Apr 1930, age 53, first marr age 29  
1940 Census, Hanover Twp., Cook Co., IL, ED#16-222, p8A/4043A, family#149, frame 15/32, taken 1 May 1940, age 63

Frank Knaak Sr. and Emma Schewe had the following children:

9. i. MABEL<sup>8</sup> KNAAK (daughter of Frank Knaak Sr. and Emma Schewe) was born between 1910-1911 in Hanover Twp., Cook, IL. She died on 07 November 1971. She married Erwin Range on 18 June 1937. He was born on 09 March 1903. He died on 03 December 1987.

Notes for Mabel Knaak:

Ref:

1920 Census, Hanover Twp., Cook Co., IL, ED#89, p8A/167A, family#155, frame 15/19, taken 15-16 Jan 1920, age 9  
1930 Census, Hanover Twp., Cook Co., IL, ED#2143, p 8B/195B, family#196, frame 16/25, taken 25 Apr 1930, age 19

10. ii. FRANK JOHN MILTON KNAAK JR. (son of Frank Knaak Sr. and Emma Schewe) was born on 30 July 1918 in Hanover Twp., Cook, IL<sup>3,6</sup>. He died on 09 August 2013 in Rochelle, Ogle Co., IL<sup>6</sup>. He married AGATHA NEOMA PLEASANTS. She was born on 08 July 1920<sup>7</sup>. She died on Dead.

Notes for Frank John Milton Knaak Jr.:

Ref:

1920 Census, Hanover Twp., Cook Co., IL, ED#89, p8A/167A, family#155, frame 15/19, taken 15-16 Jan 1920, age 1 5/12, name: Frank Jr.  
1930 Census, Hanover Twp., Cook Co., IL, ED#2143, p 8B/195B, family#196, frame 16/25, taken 25 Apr 1930, age 11, name: Frank Jr.  
1940 Census, Hanover Twp., Cook Co., IL, ED#16-222, p8A/4043A, family#149, frame 15/32, taken 1 May 1940, age 21

Name: Milton Knaak

Birth Date: 30 Jul 1918

Birth Place: Hanover Twp

Gender: Male

Father: Frank Knaak

Mother: Emma Schewe

FHL Film Number: 1308566

6. **PAULINE J.<sup>7</sup> SCHEWE** (Augusta M.<sup>6</sup> Krause, Gustav Theodore, Carl, ?-2, Branch-Two Schiewe, Root-Schiewe) was born in May 1892 in Hanover Twp., Cook, IL. She died on 20 February 1962 in Cook Co., IL. She married Albert William Knaak on 25 June 1919 in Bartlett, Cook Co., IL. He was born on 30 October 1880 in Barrinton, Cook Co., IL<sup>2-3</sup>. He died on 25 July 1953 in Elgin, Kane Co., IL.

---

## Generation 2 (cont.)

Notes for Pauline J. Schewe:

Ref: Possible family in 1900 census

1900 Census, Bartlett Village, Hanover Twp., Cook Co., IL, ED#1162, p16B/249B, family#230, frame 32/43, taken 20 June 1900, age 8(May 1892)

1920 Census, Elgin, Elgin Twp., Kane Co., IL, ED#78, p5B/34B, family#129, frame 10/31. taken 6 Jan 1920, age 28, name: Pauline

1930 Census, Hanover Twp., Cook Co., IL, ED#2142, p 8B/195B, family#197, frame 16/25, taken 25 Apr 1930, age 38, fist marr age 25, name: Pauline J.

1940 Census, Hanover Twp., Cook Co., IL, ED#16-222, p8A/4343A, family#150, frame 15/32, taken 1 May 1940, age 47, name: Paulina

Notes for Albert William Knaak:

Ref:

1920 Census, Elgin, Elgin Twp., Kane Co., IL, ED#78, p5B/34B, family#129, frame 10/31. taken 6 Jan 1920, age 39

1930 Census, Hanover Twp., Cook Co., IL, ED#2142, p 8B/195B, family#197, frame 16/25, taken 25 Apr 1930, age 49, fist marr age 22

1940 Census, Hanover Twp., Cook Co., IL, ED#16-222, p8A/4343A, family#150, frame 15/32, taken 1 May 1940, age 59

Albert William Knaak and Pauline J. Schewe had the following children:

11. i. DOROTHY<sup>8</sup> KNAAK (daughter of Albert William Knaak and Pauline J. Schewe) was born between 1908-1909. She died on Dead.

Notes for Dorothy Knaak:

Ref:

1920 Census, Elgin, Elgin Twp., Kane Co., IL, ED#78, p5B/34B, family#129, frame 10/31. taken 6 Jan 1920, age 11

12. ii. RAYMOND F. KNAAK (son of Albert William Knaak and Pauline J. Schewe) was born between 1913-1914. He died on Dead.

Notes for Raymond F. Knaak:

Ref:

1920 Census, Elgin, Elgin Twp., Kane Co., IL, ED#78, p5B/34B, family#129, frame 10/31. taken 6 Jan 1920, age 5, name: Raymond

1930 Census, Hanover Twp., Cook Co., IL, ED#2142, p 8B/195B, family#197, frame 16/25, taken 25 Apr 1930, age 16, name: Raymond F.

1940 Census, Hanover Twp., Cook Co., IL, ED#16-222, p8A/4343A, family#150, frame 15/32, taken 1 May 1940, age 46

- +13. iii. LENORA CHRISTINA AUGUSTA EMMA KNAAK (daughter of Albert William Knaak and Pauline J. Schewe) was born on 13 July 1921 in Elgin, Kane Co., IL. She died on 11 July 1984 in Elgin, Kane Co., IL. She married GERALD EDWARD WARREN. He was born on 16 October 1922 in Emmett Valley, Gem, Idaho, USA. He died on 07 November 2010 in Elgin, Kane Co., IL.
7. **MINNIE<sup>7</sup> SCHEWE** (Augusta M.<sup>6</sup> Krause, Gustav Theodore, Carl, ?-2, Branch-Two Schiewe, Root-Schiewe) was born on 21 August 1894 in Hanover Twp., Cook, IL<sup>1</sup>. She died on 01 January 1981 in Elgin, Kane Co., IL<sup>1</sup>. She married Henry Joseph Drehobl on 12 April 1919 in Cook Co., IL. He was born on 11 August 1898 in Cook Co., IL<sup>1</sup>. He died on 31 March 1962 in Cook Co., IL<sup>1</sup>.

Notes for Minnie Schewe:

Ref: Possible family in 1900 census

1900 Census, Bartlett Village, Hanover Twp., Cook Co., IL, ED#1162, p16B/249B, family#230, frame 32/43, taken 20 June 1900, age 5(Aug 1894)

Chicago Tribune, 3 January 1981

---

### Generation 2 (cont.)

Minnie Drehobl, beloved wife of the late Henry; loving mother of Evelyn (Bernard) Krappmann, Florence (Edward) Mueller, Maybelle (Charles) Klinge; five grandchildren; three great-grandchildren. Funeral Monday, 11 a.m., at John V. May Funeral Home, 4553-61 Milwaukee Av. Interment Ridgewood. Visitation after 6 p.m. Saturday. Memorials to Muscular Dystrophy appreciated.

Marriage Notes: (Henry Joseph)

Name: Minnie Scheive

Age: 24

Gender: Female

Birth Year: abt 1895

Marriage Type: Marriage

Marriage Date: 12 Apr 1919

Marriage Place: Chicago, Cook, Illinois

Spouse Name: Henry Drehobl

Spouse Age: 21

Spouse Gender: Male

FHL Film Number: 1030694

Henry Joseph Drehobl and Minnie Schewe had the following children:

- +14. i. EVELYN DOROTHY<sup>8</sup> DREHOBL (daughter of Henry Joseph Drehobl and Minnie Schewe) was born on 26 December 1919<sup>4-5</sup>. She died on 10 April 1998. She married (1) CHARLES VARINY (son of ? Variny and Marie ???) before 1962. He was born on 09 May 1902. He died in October 1967 in Chicago, Cook Co., IL. She married (2) BERNARD G. KRAPPMANN on 26 April 1977 in Washburn Co., WI. He was born between 1913-1914. He died on Dead.
15. ii. MAYBELLE S. DREHOBL (daughter of Henry Joseph Drehobl and Minnie Schewe) was born on 09 May 1926<sup>1</sup>. She died on 25 June 2006<sup>1</sup>. She married CHARLES KLINGE.

Notes for Maybelle S. Drehobl:

Chicago Tribune, 28 June 2006

Maybelle S. Klinge, nee Drehobl, age 80, of Des Plaines, formerly of Chicago for 50 years, beloved wife of the late Charles; loving daughter of the late Henry (Minnie) Drehobl; dear sister of Florence Mueller and the late Evelyn Krappman; cherished aunt of many nieces and nephews and great-nieces and nephews. Maybelle was a member of St. Constance Catholic Church in Chicago. Visitation Thursday beginning at 10 a.m. until time of Service at 12 noon at G.L. Hills Funeral Home, 745 Graceland Ave., Des Plaines. Interment will be at Maryhill Cemetery, Niles, IL. For info, please call 847-699-9003.

16. iii. FLORENCE DREHOBL (daughter of Henry Joseph Drehobl and Minnie Schewe). She married EDWARD MUELLER.

---

### Generation 3

13. **LENORA CHRISTINA AUGUSTA EMMA<sup>8</sup> KNAAK** (Pauline J.<sup>7</sup> Schewe, Augusta M.<sup>6</sup> Krause, Albert William) was born on 13 July 1921 in Elgin, Kane Co., IL. She died on 11 July 1984 in Elgin, Kane Co., IL. She married **GERALD EDWARD WARREN**. He was born on 16 October 1922 in Emmett Valley, Gem, Idaho, USA. He died on 07 November 2010 in Elgin, Kane Co., IL.

Notes for Lenora Christina Augusta Emma Knaak:

Ref:

1930 Census, Hanover Twp., Cook Co., IL, ED#2142, p 8B/195B, family#197, frame 16/25, taken 25 Apr 1930, age 7, name: Lenora

1940 Census, Elgin, Elgin Twp., Kane Co., IL, ED#45-67, p81B/1045B, Student Nurse at Sherman Hospital, frame 50/50, taken 18 Apr 1940, age 18

Gerald Edward Warren and Lenora Christina Augusta Emma Knaak had the following child:

17. i. LIVING WARREN (son of Gerald Edward Warren and Lenora Christina Augusta

---

### Generation 3 (cont.)

Emma Knaak).

14. **EVELYN DOROTHY<sup>8</sup> DREHOBL** (Minnie<sup>7</sup> Schewe, Augusta M.<sup>6</sup> Krause, Henry Joseph) was born on 26 December 1919<sup>4-5</sup>. She died on 10 April 1998. She married (1) **CHARLES VARINY** (son of ? Variny and Marie ???) before 1962. He was born on 09 May 1902. He died in October 1967 in Chicago, Cook Co., IL. She married (2) **BERNARD G. KRAPPMANN** on 26 April 1977 in Washburn Co., WI. He was born between 1913-1914. He died on Dead.

Notes for Evelyn Dorothy Drehobl:

Ref:

1940 Census, Chicago(Ward#45), Cook Co., IL, ED#103-2898, p8B/41475, family#202, frame 16/34, taken 8 Apr 1940, age 25

Notes for Charles Variny:

Ref:

1940 Census, Chicago(Ward#41), Cook Co., IL, p8B/37264B, family#185, frame 16/30, taken 10 Apr 1940, age 37, step-brother, in home of Gustav Love

From Chicago Tribune, 30 Oct 1967:

Variny

Charles Variny, beloved husband of Evelyn, nee Drehobl; loving father of Sandra Jean; brother of John; stepson of Marie Variny; stepbrother of Gustav Love. Services Tuesday, 1 p.m., at John V. May Funeral Home, 4553-61 Milwaukee avenue. Internment Ridgwood. Please omit flowers.

Charles Variny and Evelyn Dorothy Drehobl had the following child:

18. i. **SANDRA JEAN<sup>9</sup> VARINY** (daughter of Charles Variny and Evelyn Dorothy Drehobl).

Notes for Bernard G. Krappmann:

Ref:

1940 Census, Chicago(Ward#45), Cook Co., IL, ED#103-2898, p8B/41475, family#202, frame 16/34, taken 8 Apr 1940, age 26

---

### Sources

- 1 Find A Grave.
- 2 WWI Draft Registration Card.
- 3 WWII Draft Registration Card.
- 4 USPRI: U.S. Public Record Index, Vol 2.
- 5 Birth Certificate, Cook Co., IL;.
- 6 SSDI.
- 7 USPRI: U.S. Public Record Index, Vol 1.

Prepared By:

Preparer:	Arnold Edwin Krause	Address:	1611 Arlington Ave
Phone:	306 374 3348		Saskatoon, Saskatchewan S7H2Y6
Email:	arnie-krause@shaw.ca		Canada

# Index of Individuals

---

?	???, Living (26): 114,142
???, ? (1): 6	???, Living (27): 114,142
???, ? (10): 101,133	???, Living (28): 114,142
???, ? (11): 104	???, Living (29): 114,142
???, ? (12): 128,149	???, Living (3): 83,116
???, ? (13): 128,149	???, Living (30): 115,143
???, ? (14): 129,150	???, Living (31): 115,143
???, ? (15): 133,151	???, Living (32): 115,143
???, ? (16): 153	???, Living (33): 116,144
???, ? (2): 58,91	???, Living (34): 116,144
???, ? (3): 65	???, Living (35): 116,145
???, ? (4): 71,105	???, Living (36): 116,145
???, ? (5): 74	???, Living (37): 116,145,146
???, ? (6): 74,108	???, Living (38): 127,148
???, ? (7): 76,109	???, Living (39): 129,149
???, ? (8): 78,111,112,166,169	???, Living (4): 97
???, ? (9): 91,127	???, Living (40): 132
???, Alice J.: 41,76	???, Living (41): 132
???, Anita: 57	???, Living (42): 132
???, Anna: 13,20,155	???, Living (43): 132
???, Antoinette: 80,112,167,170	???, Living (44): 136,151
???, Barbara: 129,149	???, Living (45): 138,151
???, Bev: 127	???, Living (46): 138
???, Beverly J.: 84	???, Living (47): 139,152
???, Caroline: 10,12,13	???, Living (48): 139
???, Chrissy: 128	???, Living (49): 141
???, Deanne: 122	???, Living (5): 98,132
???, Edith: 128,149	???, Living (50): 143
???, Ellen E.: 95	???, Living (51): 143
???, Ethel M.: 78,165	???, Living (52): 143
???, Eva: 35	???, Living (53): 143
???, Georgia: 125,146	???, Living (54): 144,153
???, Helen (1): 41	???, Living (55): 145,153
???, Helen (2): 61,95	???, Living (56): 151
???, Helen (3): 89,124	???, Living (57): 151
???, Henrietta: 41,77	???, Living (6): 99
???, Jen: 127	???, Living (7): 101
???, Leora: 73	???, Living (8): 101,133
???, Living (1): 79,167	???, Living (9): 103
???, Living (10): 103	???, Lizzie M.: 51,81
???, Living (11): 110,168	???, Lucille: 61,95
???, Living (12): 112,138	???, Luella: 92,127
???, Living (13): 113,138	???, Margaret 'Peggy': 124,146
???, Living (14): 113,139	???, Marie: 50,80,177,178
???, Living (15): 113,139	???, Mary: 112,137,170,171
???, Living (16): 113,139	???, Michiko: 112,169
???, Living (17): 113,140	???, Patricia: 98,132
???, Living (18): 114,140	???, Pette: 57,89
???, Living (19): 114,140	???, Regina: 74
???, Living (2): 82,115	???, Ricka: 33,67
???, Living (20): 114,141	???, Ruth: 124,146
???, Living (21): 114,141	???, Son: 127
???, Living (22): 114,141	???, Susan K.: 98,131
???, Living (23): 114,141	???, Terri: 127,148
???, Living (24): 114,142	
???, Living (25): 114,142	

---

A

---

Abitz, Crist: 59

---

# Index of Individuals

Allan, Margaret Josephine: 106,135  
Allen, Craig Michael: 137,171  
Allen, Dau: 137,171  
Allen, Richard: 89  
Allen, Ronald 'Ron': 111,137,169,171  
Amundson, Faith: 128,149  
Anderson, Gary K.: 127,148  
Anderson, Living: 127,148  
Andrade, Living (1): 127,148,149  
Andrade, Living (2): 149  
Andreasen, Living (1): 146,153  
Andreasen, Living (2): 153  
Andreason, Anna: 36,68  
Andrews, ?: 22,157  
Andrews, Goldie Beatrice: 72,106  
Andrews, Hilda Annie: 39,68,70,71  
Andrews, Horace Charles: 39,68  
Andrews, Joseph: 112,137,170,171  
Andrews, Living (1): 112,137,138,170,171  
Andrews, Living (2): 138,172  
Arndt, ?: 125,147  
Arndt, Justin: 147  
Arndt, Living (1): 82,114  
Arndt, Living (10): 142  
Arndt, Living (11): 142  
Arndt, Living (12): 142  
Arndt, Living (13): 142  
Arndt, Living (2): 82,114  
Arndt, Living (3): 114  
Arndt, Living (4): 114,142  
Arndt, Living (5): 114,142  
Arndt, Living (6): 114  
Arndt, Living (7): 142  
Arndt, Living (8): 142  
Arndt, Living (9): 142  
Arndt, Mandy: 147  
Artrip, Nancy Janie 'Jennie': 43,78,159,165  
Atkinson, Living: 134,151  
Aughe, Kathleen Kay: 92

---

## B

Baker, Living: 103  
Barbour, Sheila: 112,137,170,171  
Bartline, Living (1): 144,152  
Bartline, Living (2): 152  
Bartline, Living (3): 152  
Bataoel, Jack: 112,138,170,172  
Bataoel, Marion: 138,172  
Bataoel, Zachary: 138,172  
Batke, Rudolph: 19,39,41  
Batterman, John: 95  
Bauer, Living: 133  
Bauer, Steve: 133  
Baxter, Betty Jean: 61,94  
Baxter, Donald B.: 61,94  
Beasley, Paul: 95  
Beattie, Caleb James: 143

Beattie, David Michael: 82,115  
Beattie, Doris: 82,113  
Beattie, Faith: 143  
Beattie, George Jr.: 82,113  
Beattie, George Rufus Sr.: 52,82  
Beattie, Jeff: 140  
Beattie, Jeffrey David: 115  
Beattie, John William Jr.: 113,140  
Beattie, John William Sr.: 82,113  
Beattie, Living (1): 82,114  
Beattie, Living (10): 113,140  
Beattie, Living (11): 113  
Beattie, Living (12): 113,140  
Beattie, Living (13): 113,140  
Beattie, Living (14): 114,140  
Beattie, Living (15): 114,141  
Beattie, Living (16): 114,141  
Beattie, Living (17): 114,141  
Beattie, Living (18): 114,141  
Beattie, Living (19): 114,141  
Beattie, Living (2): 82,114  
Beattie, Living (20): 114,141  
Beattie, Living (21): 114,141  
Beattie, Living (22): 114,141  
Beattie, Living (23): 114  
Beattie, Living (24): 114,142  
Beattie, Living (25): 114,142  
Beattie, Living (26): 115,143  
Beattie, Living (27): 115  
Beattie, Living (28): 115  
Beattie, Living (29): 115  
Beattie, Living (3): 82,115  
Beattie, Living (30): 115,143  
Beattie, Living (31): 116,145  
Beattie, Living (32): 116,145  
Beattie, Living (33): 116,145  
Beattie, Living (34): 116,145  
Beattie, Living (35): 116,145,146  
Beattie, Living (36): 139  
Beattie, Living (37): 139  
Beattie, Living (38): 139  
Beattie, Living (39): 140  
Beattie, Living (4): 83,115  
Beattie, Living (40): 140  
Beattie, Living (41): 140  
Beattie, Living (42): 140  
Beattie, Living (43): 140  
Beattie, Living (44): 140  
Beattie, Living (45): 140  
Beattie, Living (46): 140  
Beattie, Living (47): 140  
Beattie, Living (48): 141  
Beattie, Living (49): 141  
Beattie, Living (5): 83,115,116  
Beattie, Living (50): 141  
Beattie, Living (51): 141



# Index of Individuals

- Beattie, Living (52): 141  
Beattie, Living (53): 141  
Beattie, Living (54): 141  
Beattie, Living (55): 142  
Beattie, Living (56): 142  
Beattie, Living (57): 142  
Beattie, Living (58): 142  
Beattie, Living (59): 143  
Beattie, Living (6): 83,116  
Beattie, Living (60): 143  
Beattie, Living (61): 145  
Beattie, Living (62): 145  
Beattie, Living (63): 145  
Beattie, Living (64): 146  
Beattie, Living (7): 83  
Beattie, Living (8): 113,139  
Beattie, Living (9): 113,140  
Beattie, Marvella: 83,116  
Beattie, Marvin: 52,83  
Beattie, Mavis Edith: 82,112  
Beattie, Nancy Jane: 114,142  
Beattie, Sarah: 82,114  
Beattie, Shannon: 115  
Beattie, Steven Douglas: 113  
Beckert, Living: 81  
Bedor, Christopher: 117  
Bedor, Dennis D.: 84,116,117  
Bedor, Living (1): 117  
Bedor, Living (2): 117  
Bedor, Living (3): 117  
Behling, Eddie E.: 52,83  
Behling, Living (1): 83  
Behling, Living (2): 83  
Behm, Living (1): 116,144  
Behm, Living (2): 144  
Behm, Living (3): 144  
Bell, Janet Marguerite: 68,101  
Bentley, Living: 83  
Berdell, ?: 73,107  
Berger, A. Marjorie: 67,101  
Bergeron, Ivan R.: 35  
Bergeron, Yvonne Evangeline: 35  
Berndt, Victor Leonard: 84  
Beyer, Joyce: 84,116  
Binde, Leif Johannes: 108  
Binde, Living: 108  
Blanchard, Charles Emile: 71,105  
Blanchard, Hubert Jacques: 71,105  
Blanchard, Living (1): 105,134,135  
Blanchard, Living (2): 105  
Blanchard, Living (3): 105,135  
Blanchard, Living (4): 105  
Blanchard, Living (5): 135  
Blanchard, Living (6): 135  
Blanchard, Living (7): 135  
Blink, Living (1): 113,138  
Blink, Living (2): 138,151  
Blink, Living (3): 138  
Blink, Living (4): 151  
Blink, Living (5): 152  
Bliss, George Edward Valentine Jr.: 72,106  
Bliss, Living: 72,106  
Bloomquist, Marguerite: 41,76  
Boelter, Living (1): 125,147  
Boelter, Living (2): 144  
Boelter, Living (3): 147  
Boese, Frank: 83,115  
Boese, Living (1): 83,115  
Boese, Living (2): 115,143  
Boese, Living (3): 115,143  
Boese, Living (4): 115  
Boese, Living (5): 115,143  
Boutwell, Edna LaVonne: 57,89  
Bower, Ada Agnes Eva: 28,57,58  
Bower, William: 28,57  
Bowersock, Living: 146,153  
Boyle, ?: 120,146  
Boyle, Katre: 146  
Bradford, Living Jr.: 125,146  
Bradford, Ronald Sr.: 125,146  
Braendle, Ethel 'Hope': 71,103  
Brandon, Living (1): 105,134  
Brandon, Living (2): 105,134  
Braun, Eric Frederick: 31,65,66  
Braun, Hermann: 31,65  
Braun, Living: 66,99,100  
Brazell, George: 112,169  
Breiner, Retta: 22,157  
Breyer, Peggy Sue: 119  
Brockway, Living (1): 113,140  
Brockway, Living (2): 140  
Brockway, Living (3): 140  
Brousseau, Albert: 71,105  
Brown, Dorothy Mae: 93,128  
Brownlee, Geneva Grace: 71,104  
Bruce, Glenn Carnegie: 71,103  
Bruce, Glenn 'Garry': 71,103,104  
Bruce, Living (1): 104,134  
Bruce, Living (2): 104  
Bruso, Living: 115,143  
Bull, August: 36,37,68  
Bull, LeRoy Lewis: 68,102  
Bull, Lewis William: 36,37,68  
Bull, Living (1): 102,133  
Bull, Living (2): 102  
Bull, Living (3): 133  
Bulter, Bette: 40,75,76  
Bunting, Living (1): 139,152  
Bunting, Living (2): 152  
Burnson, Anna Dortine: 57,88  
Burton, James Franklin Jr.: 63,98,99  
Burton, James Franklin Sr.: 63,98

# Index of Individuals

Burton, Living (1): 82,113  
Burton, Living (2): 99  
Burton, Living (3): 99  
Burton, Living (4): 99  
Burton, Living (5): 99  
Burton, Living (6): 105,134  
Burton, Living (7): 134,151  
Burton, Living (8): 134  
Burton, Lucille Helen: 58  
Buss, Albert: 60  
Buss, Alvin Louis: 60,92,93  
Buss, George F.: 28,60  
Buss, Jaqueline: 93,128  
Buss, Ronald Eugene: 92  
Buxton, Living (1): 103  
Buxton, Living (2): 103

---

## C

Cartwright, Eva: 61,94  
Carver, William W.: 59  
Chappel, Laura Minetta: 71,104  
Chelsberg, Living: 105,134  
Christie, Mary 'Molly': 71,105  
Christie, Vera B.: 37  
Close, Angelina: 84,116,117  
Close, Carole A. Madison: 84  
Close, Darla Jean: 84  
Close, Dau: 117,146  
Close, Harold K.: 84  
Close, Harold William Sr.: 84,117  
Close, Jeremiah: 54,83  
Close, Leonard: 84,116  
Close, Living (1): 116  
Close, Living (2): 116  
Close, Melvin Herman: 84  
Close, William McKinly: 54,83,84  
Clow, William K. Sr.: 33  
Clow, William King Jr.: 33  
Coates, Living: 129,149  
Coe, ?-4: 82,112  
Coe, Living (1): 112,138  
Coe, Living (10): 138  
Coe, Living (11): 138  
Coe, Living (12): 138  
Coe, Living (13): 138  
Coe, Living (14): 138  
Coe, Living (15): 139  
Coe, Living (16): 139  
Coe, Living (17): 139  
Coe, Living (18): 139  
Coe, Living (19): 139  
Coe, Living (2): 113,138  
Coe, Living (3): 113,138  
Coe, Living (4): 113,138  
Coe, Living (5): 113,139  
Coe, Living (6): 113,139  
Coe, Living (7): 113,139

Coe, Living (8): 138  
Coe, Living (9): 138  
Coe, Ralph: 82,112  
Coffey, Beatrice: 35  
Cornelius, Arlan: 95  
Cousins, Arthur Willard: 27,51  
Cousins, Esther L.: 51,81  
Cousins, Leonard: 27,51  
Coutre, Child: 46,162  
Coutre, Edward F.: 22,45,46,157,162  
Coutre, Roy George: 44,161  
Coutre, William Christopher: 22,43,44,156,159,160,161  
Cox, Donald Michael: 112,137,169,171  
Cox, Living: 137,151,171,172  
Crone, Arthur: 106,135  
Crone, Living: 106,135

---

## D

Daniels, Living: 115  
De Brue, Living: 114,141  
Deastell, Living: 94,128  
Deastell, John Nels Sr.: 94,128  
Dedering, Living (1): 97,131  
Dedering, Living (2): 131  
Degroot, Living: 112  
Dervin, Eugene W.: 88,124  
Dervin, Living: 124  
Dervin, Scott: 124  
Destree, Lois Mae: 65  
DeSwart, Living: 109,136  
Deublar, Living: 95,129  
Dexter, Bessie A.: 52,83  
Dexter, Donald W.: 53  
Dexter, Dorothy E.: 52  
Dexter, Edith Mabel: 52,82  
Dexter, Evelyn: 52,82  
Dexter, Herman (1): 27,51  
Dexter, Herman (1911): 52  
Dexter, Hilda: 53  
Dexter, Lloyd: 53  
Dexter, Lyman: 27,51,52  
Dexter, Martha: 52,83  
Dexter, Norman L.: 53  
Dexter, Roanna: 27,51  
Dieck, Gladys Louise Margaret: 89,125  
Diede, ?: 108  
Doll, Edward: 89,124  
Doll, Lawrence: 124  
Doll, Linda: 124  
Doll, Nancy: 124  
Doll, Robert: 89,124  
Doll, Sharon: 124  
Donley, Living (1): 104,134  
Donley, Living (2): 134  
Donley, Living (3): 134  
Dordel, Living (1): 141,152  
Dordel, Living (2): 152

# Index of Individuals

Drake, Earl: 59  
Drehobl, Evelyn Dorothy: 50,80,81,177,178  
Drehobl, Florence: 51,177  
Drehobl, Henry Joseph: 24,50,174,176,177  
Drehobl, Maybelle S.: 50,177  
Drogsvold, Howard: 81  
Ducan, Living (1): 137,151,171,172  
Ducan, Living (2): 151,172  
Ducan, Living (3): 151,172  
Dudar, Living: 103,133,134  
Dudar, William Henry: 103,133  
Dufour, ?: 108  
Dulaba, Living (1): 134  
Dulaba, Living (2): 134  
Dulski, Edward Andrew: 90,125  
Dulski, Living (1): 90,125  
Dulski, Living (2): 125,147  
Dulski, Living (3): 125,147  
Dulski, Living (4): 125,147  
Dulski, Living (5): 125,147  
Dulski, Living (6): 147  
Dulski, Living (7): 147  
Dulski, Living (8): 147  
Dulski, Mary Beth: 125  
Dumonceau, ?: 71,105  
Dumonceau, Living (1): 71,105,106  
Dumonceau, Living (2): 106  
Dumonceau, Living (3): 106  
Dumonceau, Living (4): 106  
Dumonceau, Living (5): 106  
Durkee, Howard Clayton Sr.: 87,94,123,128  
Durkee, Living (1): 87,123  
Durkee, Living (2): 94,128

---

## E

Eastman, Living: 117  
Eaton, Muriel: 57,90  
Ebert, Elizabeth: 57,88  
Edwards, Aubrey John: 57,90  
Edwards, G. 'Scott': 127  
Edwards, Gene Aubrey: 91,125,127  
Edwards, Jill: 127,148  
Edwards, Julia: 127,147  
Edwards, Living (1): 91,127  
Edwards, Living (2): 127,148  
Edwards, Living (3): 127,148  
Edwards, Living (4): 148  
Edwards, Living (5): 148  
Edwards, Living (6): 148  
Edwards, Living (7): 148  
Edwards, Living (8): 148  
Edwards, Ward: 57,90  
Egan, Mary: 18  
Eggers, ?: 118  
Else, Alvin Reinhard: 51,81  
Else, Herman A.: 51,81  
Else, Living (1): 81,112

Else, Living (2): 81  
Else, Living (3): 81  
Else, Living (4): 112  
Else, Living (5): 112  
Else, Living (6): 112  
Emigh, Melissa: 131,150  
Erickson, Living: 92,127  
Erickson, Willie: 92,127  
Esquibel, Living: 108  
Esquibel, Ray: 108  
Everts, Gilbert: 64

---

## F

Fahley, ?: 128,149  
Fahley, Living: 128,149  
Fennern, Emma Sophie: 39,72  
Fielding, Living (1): 152  
Fielding, Living (2): 152  
Fielding, Living Jr.: 152  
Fielding, Living Sr.: 144,152  
Finkle, Mary 'Bonita': 63,99  
Fischer, Shirley Ann: 87,123  
Fode, Living: 72,106  
Forgash, Living: 131  
Fox, Gaylord Wayne: 77,109  
Fox, Living (1): 77,109  
Fox, Living (2): 109,136  
Fox, Living (3): 109  
Fox, Living (4): 109,136  
Fox, Living (5): 136  
Fraaza, Kenneth: 127  
Fraaza, Living: 127  
Fredrickson, Donna: 125,147  
Fredrickson, Living: 124,146  
Fredrickson, William: 124,146  
Frisch, Living: 97  
Fry, Leslie Allan: 134,151  
Fry, Living (1): 134,151  
Fry, Living (2): 151  
Fry, Living (3): 151  
Fry, Living (4): 151  
Fuhs, Friderike: 28,56  
Fuller, Betty Jean: 75  
Fuller, Darlene: 75  
Fuller, Donna Mae: 75  
Fuller, Frank B.: 40,74  
Fuller, Lyle: 74  
Funnell, Richard E.: 84

---

## G

Gable, Living (1): 116,145  
Gable, Living (2): 145  
Gable, Living (3): 145  
Gable, Living (4): 145,153  
Gable, Living (5): 153  
Gannon, Thomas R.: 30  
Ganschow, Sophie: 17,32

# Index of Individuals

Gardner, Living (1): 105,135  
Gardner, Living (2): 105,135  
Gardynik, Roseanna: 97,130,131  
Garrow, Lorraine Alvira: 60,92,93  
Geise, Marlene Ann: 85,118,119  
Genke, Living: 117  
Gesicki, Elizabeth: 118  
Gibson, Jane E.: 94,128  
Gieger, Elaine Theresa Rose: 107,136  
Gile, Bradley Dean: 146  
Gile, Living: 146  
Gone, Living: 85,120  
Gorton, Alice: 147  
Gorton, John: 127,147  
Gorton, Justin: 148  
Grant, Living: 95,129  
Graves, Edith Margurite: 105,134  
Greenwood, Living (1): 123,146  
Greenwood, Living (2): 123  
Greenwood, Living (3): 146  
Greenwood, Living Jr.: 123  
Greenwood, Wayne Raymond Sr.: 87,122,123  
Grierson, Annie: 33  
Grube, Ida Edith: 54,84,85  
Guenther, Living (1): 129,149  
Guenther, Living (2): 149  
Guenther, Living (3): 150  
Guenther, Ralph: 129,149  
Guerin, Living (1): 113,139  
Guerin, Living (2): 139,152  
Guerin, Living (3): 139  
Guerin, Living (4): 139  
Guertin, Joseph: 118,146  
Guertin, Karissa Jo Marie: 146  
Gustman, Frank: 54  
Gustman, Leslie E.: 54

---

## H

Habbeck, Amelia J.: 28,57  
Hahn, Leonard: 63,98  
Hahn, Living (1): 98,132  
Hahn, Living (2): 98,132  
Hahn, Living (3): 98,132  
Hall, Gladys Juanita: 78,110,165,168  
Hammock, Vesta: 63,98  
Hanlon, Living (1): 99,133  
Hanlon, Living (2): 133  
Hanlon, Living (3): 133  
Hansing, Donald H. 'Don': 68,102,103  
Hansing, Henry: 37,68  
Hansing, Living (1): 103  
Hansing, Living (2): 103  
Hansing, Living (3): 103  
Hansing, Living (4): 103  
Harper, Living: 147,153  
Harris, John Donald 'Jack': 71,105  
Harris, Living: 71,105

Hartwig, Caroline: 13,23,173  
Hass, Living: 63  
Haugeneau, ?: 108  
Haught, Eugene: 75  
Hauschultz, Beverly: 87,121  
Hauschultz, Carl: 54,86  
Hauschultz, Christina: 123  
Hauschultz, Dennis Michael B.: 87,123  
Hauschultz, Dougla Paul Sr.: 87,123  
Hauschultz, Elaine C.: 87,121  
Hauschultz, Gary Don: 87,123  
Hauschultz, Joyce: 86,120  
Hauschultz, Kay Ellis: 87  
Hauschultz, Leslie Allen: 87  
Hauschultz, Linda: 122  
Hauschultz, Living (1): 87,122  
Hauschultz, Living (10): 123  
Hauschultz, Living (11): 123  
Hauschultz, Living (12): 123  
Hauschultz, Living (13): 123  
Hauschultz, Living (14): 123  
Hauschultz, Living (15): 123  
Hauschultz, Living (2): 87,122,123  
Hauschultz, Living (3): 88,123  
Hauschultz, Living (4): 122  
Hauschultz, Living (5): 122  
Hauschultz, Living (6): 122  
Hauschultz, Living (7): 123  
Hauschultz, Living (8): 123  
Hauschultz, Living (9): 123  
Hauschultz, Luella Jane: 86,120  
Hauschultz, Patsy Lee: 87,122  
Hauschultz, Penny: 122  
Hauschultz, Timothy: 122  
Hauschultz, Vilas: 87  
Hauschultz, Walter William: 54,86  
Hauschultz, Wayne Jr.: 122  
Hauschultz, Wayne Sr.: 87,121  
Hauschultz, Zane: 121  
Hemp, Living: 147  
Hendrickson, Gail: 87,123  
Hendrickson, Living: 88,123  
Hengerer, Living: 106  
Henke, Adolf: 40,75  
Henke, Emilia 'Amelia': 40,73,76  
Henke, Gerda Viola: 40,75  
Hennig, Living (1): 71,105,106  
Hennig, Living (2): 106  
Henningsen, Living (1): 104,134  
Henningsen, Living (2): 134  
Henningsen, Living (3): 134  
Henry, Living (1): 113,139  
Henry, Living (2): 139,152  
Henry, Living (3): 139  
Henry, Living (4): 152  
Henry, Living (5): 152

# Index of Individuals

Hietpas, Sophia: 85,118  
Hildestad, Carl Martin: 57,88  
Hildestad, Mabel Amanda: 57,88,89  
Hill, Ann: 120  
Hill, Bonnie: 120,146  
Hill, Danny: 121  
Hill, Darryl: 121  
Hill, David Loren: 121  
Hill, Laura Sue: 121  
Hill, Living (1): 95,129  
Hill, Living (2): 120  
Hill, Living (3): 129,149  
Hill, Living (4): 129,149  
Hill, Living (5): 149  
Hill, Living (6): 149  
Hill, Son: 95,129  
Hill, Teryl: 121  
Hill, Theodore L.: 86,120  
Hilliard, Lillian Loraine: 32,66  
Hintzke, Living (1): 145,153  
Hintzke, Living (2): 145  
Hintzke, Living (3): 153  
Hintzke, Living (4): 153  
Hintzke, Living Jr.: 144,153  
Hintzke, Living Sr.: 116,144  
Hoffman, Valerie: 132,150  
Holste, Wilhelmina 'Mina': 31  
Hoppa, Living (1): 114,141  
Hoppa, Living (2): 141  
Hoppa, Living (3): 141  
Hoppa, Living (4): 141  
Hoppe, Albert Julius: 28,56,57  
Hoppe, Edwin: 57  
Hoppe, Eldora Emilie: 57,90  
Hoppe, Ferne Leona: 89,124  
Hoppe, Harley Emanuel: 57,89  
Hoppe, Helen D.: 57  
Hoppe, John: 125  
Hoppe, Laura: 125  
Hoppe, Leo Arthur: 57,88,89  
Hoppe, Living (1): 89,124  
Hoppe, Living (2): 89,125  
Hoppe, Living (3): 90,125  
Hoppe, Living (4): 90  
Hoppe, Louis Alfred: 57,89  
Hoppe, Ralph Harold: 89  
Hoppe, Shirley Arlene: 89,125  
Hoppe, Theodore H.: 28,56  
Hoppe, Virginia: 89  
Hoppe, William: 125  
Hoppe, William Louis: 89,125  
Houle, Living: 82,114  
Howard, Bessie: 91,125  
Huckstedt, Doris: 67  
Huckstedt, Frank W.: 33,67  
Huckstedt, Theodore: 33,67

Huiting, Charles Theodore: 118  
Huiting, Diane Mary: 118  
Huiting, Helen Marie: 118,146  
Huiting, James Theodore: 118  
Huiting, Jason Theodore: 118  
Huiting, Kathryn Mary: 118  
Huiting, Margaret Ann: 118,146  
Huiting, Theodore James Jr.: 85,118  
Huiting, Theodore James Sr.: 85,118  
Humphrey, Lillies Love: 39,71  
Hunchuk, Living (1): 106,135  
Hunchuk, Living (2): 106,135  
Hunchuk, Living (3): 135  
Hunchuk, Living (4): 135  
Hurliman, Living (1): 109,136  
Hurliman, Living (2): 109,136  
Hurliman, Living (3): 136  
Hurliman, Living (4): 136  
Hutchinson, Lydia Mae: 36,68

---

## J

Jach, Living (1): 115,143  
Jach, Living (2): 143  
Jackson, Arthur Douglas: 71,104  
Jackson, Harry Leonard Sr.: 71,103  
Jackson, Living (1): 71,103  
Jackson, Living (2): 71,104  
Jahsman, Infant: 91  
Jahsman, Lorenz: 58,91  
Janke, Living (1): 92,127  
Janke, Living (2): 127  
Janke, Living (3): 127,148,149  
Janke, Nancy: 127,148  
Janke, Walter: 92,127  
Jensen, Norris: 75  
Jent, ?: 88  
Jent, Living (1): 88,123,124  
Jent, Living (2): 124  
Jesberger, George: 89,125  
Jesberger, Leon: 89,125  
Jesberger, Living: 125  
Johnson, Charlie: 111,136,169,170  
Johnson, Florence: 57,89  
Johnson, Living (1): 99  
Johnson, Living (2): 111,136,137,169,170  
Johnson, Living (3): 125,147  
Johnson, Living (4): 134  
Johnson, Living (5): 137,171  
Johnson, Living (6): 137,171  
Johnson, Living Jr.: 137,171  
Jones, Living (1): 116,145  
Jones, Living (2): 145  
Jordan, Living: 86,120

---

## K

Kain, Living: 125,147  
Kane, Norma Jean: 66,100,101

# Index of Individuals

- Karsten, Friedrich 'Fred': 17,32  
Karsten, Wilhelmina 'Minnie': 17,32,33  
Kasarsky, Joseph F.: 61,95  
Kaufman, Living (1): 134  
Kaufman, Living (2): 134  
Kautz, Living: 86  
Kautz, Walter: 54,85,86  
Keberlein, Living (1): 125,147  
Keberlein, Living (2): 147  
Keberlein, Living (3): 147  
Keberlein, Living (4): 147  
Keer, Living: 106  
Keesler, Living (1): 116,145  
Keesler, Living (2): 145  
Keesler, Living (3): 145  
Kemp, Dessie May: 28,61,62  
Kemp, George Garfield: 28,61  
Kerns, Clifford Dean: 78,111,166,169  
Kerns, Mona Lee: 78,111,166,169  
Kerr, Jessie McQuarrie: 72,106  
Keup, Anna Amelia: 28,63  
Kietzman, Living (1): 139,152  
Kietzman, Living (2): 152  
Killmer, Living: 108  
King, Joseph L.: 18  
King, William Joseph: 18  
Kleiber, Living (1): 144,152  
Kleiber, Living (2): 152  
Kleiber, Living (3): 152  
Klein, Laura: 89,125  
Klein, Ralph J.: 33  
Kleinschmidt, Norman: 94,128  
Kleinschmidt, Rosemary: 94,128  
Klemer, Teresa: 54,83  
Klepps, Betty: 89,125  
Klinge, Charles: 50,177  
Klinker, Murial: 123,146  
Klinner, Anna Teoffile: 40,75  
Klug, Bernice M.: 60,92  
Klug, Herman: 60,92  
Knaak, Albert William: 24,49,174,175,176  
Knaak, Dorothy: 49,176  
Knaak, Frank John Milton Jr.: 49,175  
Knaak, Frank Sr.: 24,48,174,175  
Knaak, Lenora Christina Augusta Emma: 50,80,176,177  
Knaak, Mabel: 48,175  
Knaak, Raymond F.: 50,176  
Knickrehm, Anna M.: 36  
Knickrehm, Clara G.: 37,68  
Knickrehm, Dau: 133  
Knickrehm, Emma Bertha: 37,68  
Knickrehm, Hans Heinrich Wilhelm: 17,36  
Knickrehm, Harry John: 37  
Knickrehm, Howard Russell: 68,101  
Knickrehm, John: 37  
Knickrehm, John Howard: 101,133  
Knickrehm, Living: 102  
Knickrehm, Son (1): 133,151  
Knickrehm, Son (2): 151  
Knickrehm, Son (3): 151  
Knickrehm, William H. (1863): 17,36  
Knickrehm, William H. (1889): 36,68  
Koehler, Rosella Magdeli 'Sally': 61,93  
Koglin, Henrietta: 13,24  
Kohlbeck, Vernon Peter: 54,86  
Kolgen, Harriet M.: 62,97  
Komanekin, Living (1): 127,148  
Komanekin, Living (2): 148  
Konitzer, Living: 123  
Kordus, Dale: 127,148  
Kordus, Living (1): 127,148  
Kordus, Living (2): 148  
Kordus, Living (3): 148  
Korn, Living: 125,147  
Kovach, Living (1): 113,140  
Kovach, Living (2): 140  
Kovach, Living (3): 140  
Kovalchuk, Living: 100  
Kramke, Charles Frederick: 30,64  
Kramke, Elmer Howard: 65  
Kramke, Kenneth Charles: 65  
Krappmann, Bernard G.: 50,80,81,177,178  
Krause, ?: 13  
Krause, ?-1-J: 6  
Krause, ?-23-E: 5  
Krause, ?-32-C: 5  
Krause, ?-49-D: 5  
Krause, ?-A: 4  
Krause, ?-B: 4  
Krause, ?-F-g7: 5  
Krause, ?-G: 5  
Krause, ?-H: 6  
Krause, ?-I: 6  
Krause, Albert Carl: 39,72  
Krause, Albert Edward: 28,57,58  
Krause, Albert Eugene: 58,91  
Krause, Alvin: 61  
Krause, Alyssa Suzanne: 131  
Krause, Amanda (1892): 28,58,59  
Krause, Amanda (2): 131  
Krause, Annie Amelia Caroline: 39,71  
Krause, Arthur Theodore: 61,93,94  
Krause, Augusta: 17,29,30  
Krause, Augusta M. (1855): 13,23,24,173,174  
Krause, Augusta M. (1881): 27,51  
Krause, Barbara Anne: 71,104  
Krause, Bertha: 18  
Krause, Bertha Alberine: 28,53,54  
Krause, Betty Ann Irene: 72,106,107  
Krause, Branch-One: 2  
Krause, Branch-One-A: 3,4  
Krause, Branch-One-B: 3,4

# Index of Individuals

- Krause, Branch-One-C: 3,4  
Krause, Branch-One-D: 3,5  
Krause, Branch-One-E: 3,5  
Krause, Branch-One-F: 3,5  
Krause, Branch-One-G: 3,5  
Krause, Branch-One-H: 3,5,6  
Krause, Branch-One-I: 3,6  
Krause, Branch-One-J: 4,6  
Krause, Carl 'Charlie' Gustav William: 19,37,39  
Krause, Carl Martin Sr.: 63,97,98  
Krause, Carl Theodore: 28,61,62  
Krause, Carol: 91  
Krause, Caroline 'Carrie' Johanna: 17,36  
Krause, Caroline 'Lena': 27,51,52  
Krause, Charles Albert: 72,106  
Krause, Child: 19  
Krause, Conor Martin: 131,150  
Krause, Darnel Martin: 98,131  
Krause, Darnel Matthew: 131,150  
Krause, Donald: 131  
Krause, Donald Edward Sr.: 61,95,97  
Krause, Earl T.: 62,97  
Krause, Edwin Henry: 39,68,71  
Krause, Elaine Fay: 63  
Krause, Eleanor: 58  
Krause, Eleanor Rose: 61,95  
Krause, Ella Bertha: 33,66,67  
Krause, Emelia: 28,58  
Krause, Garrett Lee I: 94,128  
Krause, Gggf: 10,13  
Krause, Gladys M.: 33  
Krause, Haplogroup-I2a-F3744-Positive: 2,3  
Krause, Harold F.: 62  
Krause, Heather: 131  
Krause, Herman Martin Jr.: 28,60,61  
Krause, Herman Martin Sr.: 13,24,27  
Krause, Hulda Wilhelmine: 19,39,40  
Krause, Ida M.: 28,60  
Krause, Irene Edna: 33,67  
Krause, Jeffery Ray: 98,132  
Krause, Jeffrey Alan: 97,130,131  
Krause, Johann 'John' Sr.: 13,15,17  
Krause, John Jr.: 17,32,33  
Krause, Joyce D.: 64  
Krause, Karen Jean: 95,129  
Krause, Leland 'Lee' Edward: 98,131  
Krause, Lila M.: 64  
Krause, Living (1): 62,97  
Krause, Living (10): 95,129  
Krause, Living (11): 95,129  
Krause, Living (12): 97  
Krause, Living (13): 97,130  
Krause, Living (14): 97  
Krause, Living (15): 97,130  
Krause, Living (16): 97  
Krause, Living (17): 97,131  
Krause, Living (18): 97  
Krause, Living (19): 97  
Krause, Living (2): 63,98  
Krause, Living (20): 103,133  
Krause, Living (21): 103,133,134  
Krause, Living (22): 103  
Krause, Living (23): 103  
Krause, Living (24): 106,135  
Krause, Living (25): 106,135  
Krause, Living (26): 128,149  
Krause, Living (27): 128  
Krause, Living (28): 128  
Krause, Living (29): 128,149  
Krause, Living (3): 63,98,99  
Krause, Living (30): 128,149  
Krause, Living (31): 128,149  
Krause, Living (32): 129  
Krause, Living (33): 129  
Krause, Living (34): 129  
Krause, Living (35): 129  
Krause, Living (36): 129  
Krause, Living (37): 131  
Krause, Living (38): 132  
Krause, Living (39): 132  
Krause, Living (4): 63,99  
Krause, Living (40): 132  
Krause, Living (41): 134  
Krause, Living (42): 134  
Krause, Living (43): 135  
Krause, Living (44): 135  
Krause, Living (45): 135  
Krause, Living (46): 149  
Krause, Living (47): 149  
Krause, Living (48): 149  
Krause, Living (49): 149  
Krause, Living (5): 63,99  
Krause, Living (50): 149  
Krause, Living (51): 149  
Krause, Living (52): 149  
Krause, Living (53): 150  
Krause, Living (54): 150  
Krause, Living (55): 150  
Krause, Living (56): 150  
Krause, Living (6): 71,103  
Krause, Living (7): 71,103,104  
Krause, Living (8): 93  
Krause, Living (9): 95,129  
Krause, Living II: 128  
Krause, Living Jr. (1): 97  
Krause, Living Jr. (2): 98,132  
Krause, Mathilda W.: 28,56,57  
Krause, Melissa Deirdre: 135  
Krause, Minna Henriette: 28  
Krause, Norman E.: 58  
Krause, Orville Donald 'Butch': 94,128  
Krause, Orville Herman: 61,94

# Index of Individuals

- Krause, Otto Leo: 28,63,64  
Krause, Richard: 131  
Krause, Ruby Arlene: 81,112  
Krause, Valerie: 94  
Krause, Verna Irene: 58,91  
Krause, Victor: 94  
Krause, Walter Fred: 35  
Krause, Wilhelmina 'Minnie': 13,20,21,155,156  
Krause, William Donald: 58  
Krueger, Adolph: 40,73,76  
Krueger, Gustav A.: 40,76  
Krueger, Living (1): 76  
Krueger, Living (2): 76  
Krueger, Living (3): 82,115  
Krueger, Living (4): 85  
Krueger, Martha Marie: 40,73  
Kuchenbecker, Living (1): 114,142  
Kuchenbecker, Living (10): 142  
Kuchenbecker, Living (11): 143  
Kuchenbecker, Living (12): 143  
Kuchenbecker, Living (2): 114,142  
Kuchenbecker, Living (3): 114,142,143  
Kuchenbecker, Living (4): 115,143  
Kuchenbecker, Living (5): 115,143  
Kuchenbecker, Living (6): 142  
Kuchenbecker, Living (7): 142  
Kuchenbecker, Living (8): 142  
Kuchenbecker, Living (9): 142  
Kuchenbecker, Norbert: 82,114  
Kufahl, Living: 115  
Kunke, Adele G.: 31,65  
Kunstmann, Denese: 122  
Kunstmann, Living (1): 87,122  
Kunstmann, Living (2): 122  
Kunstmann, Living (3): 122  
Kurtz, Living (1): 114,141  
Kurtz, Living (2): 141,152  
Kurtz, Living (3): 141  
Kurtz, Living (4): 141  
Kutleb, Edward: 56,88
- 
- L
- Lang, Alvin C.: 73  
Lang, Beatrice A.: 82,113  
Lang, Jennifer: 136  
Lang, Marvin William: 73,107  
Lang, Michael: 107,136  
Lange, Bertha: 52,82  
Lange, Frances Ella: 73,107  
Lange, John F.: 40,72  
Lange, Walter Clarence: 40,72,73  
Laplanche, Anna: 23,46,157,162  
LaPree, Living: 104  
LaPree, Ron: 104  
Laskowski, Nadine Ann: 99  
Lathrop, ?: 131  
Laturnal, Living: 125,147
- Lebeda, Charmaine: 110,168  
Lebeda, Edward Joseph: 78,110,165,167,168  
Lebeda, Living: 110,168  
Lee, Beverly: 91,127  
Lee, William: 59,91  
LeGare, Marie-Anne Justine: 72,106  
Lekfield, Living (1): 116,145  
Lekfield, Living (2): 145  
Lekfield, Living (3): 145  
Lemont, Living (1): 113,139  
Lemont, Living (2): 139  
Lemont, Living (3): 139  
Lemont, Living (4): 139  
Lemont, Living (5): 139  
Lennox, Living: 134  
Leque, Living: 122  
Leroux, Christina: 101  
Leroux, Living (1): 101,133  
Leroux, Living (2): 133  
Leroux, Roland V.: 67,101  
Levengood, Living (1): 97,130  
Levengood, Living (2): 130  
Liegal, Living (1): 125,147  
Liegal, Living (2): 147  
Lindholm, Living: 112  
Liskow, Harold: 62,97  
Liskow, Living: 97  
Longfield, Leroy Frank: 89,124  
Longfield, Living (1): 124,146  
Longfield, Living (10): 146  
Longfield, Living (11): 146  
Longfield, Living (12): 147,153  
Longfield, Living (13): 153  
Longfield, Living (14): 153  
Longfield, Living (15): 153  
Longfield, Living (2): 124  
Longfield, Living (3): 124,146  
Longfield, Living (4): 125,146  
Longfield, Living (5): 125,147  
Longfield, Living (6): 125,147  
Longfield, Living (7): 146,153  
Longfield, Living (8): 146  
Longfield, Living (9): 146  
Longfield, Robert Francis: 89,124  
Longmire, Living: 72,106  
Lorenz, Arnold M.: 41  
Lorenz, Billy: 108  
Lorenz, Bruce A.: 75  
Lorenz, Cynthia: 108  
Lorenz, Duane: 109  
Lorenz, Edward (1941): 76  
Lorenz, Edward (2): 77  
Lorenz, Edward Fred Carl: 40,75,76  
Lorenz, Ervin R.: 41,77  
Lorenz, Eva Martha: 41,76,77  
Lorenz, Frank Edward Ernest: 40,75



# Index of Individuals

- Lorenz, Frank Henry: 19,39,40  
Lorenz, Gladys Helen: 40,74  
Lorenz, Hilda H.: 40,76  
Lorenz, Irene: 41  
Lorenz, James: 76,109  
Lorenz, Joseph J.: 19,39  
Lorenz, Lila Gay: 76,108,109  
Lorenz, Living (1): 74,108  
Lorenz, Living (2): 75,108  
Lorenz, Living (3): 77  
Lorenz, Living (4): 108  
Lorenz, Living (5): 108  
Lorenz, Living (6): 108  
Lorenz, Lloyd D.: 74  
Lorenz, Lois: 76  
Lorenz, Mark Andrew: 108  
Lorenz, Marvin Dale: 74,108  
Lorenz, Marvin W.: 108  
Lorenz, Matthew: 109  
Lorenz, Merle Edward: 74  
Lorenz, Minnie B.: 40,72,73  
Lorenz, Sheri: 109  
Lorenz, Waldo William: 74  
Lorenz, Walter Henry: 41,76  
Lorenz, William Carl F.: 40,73  
Lorenz, William Martin: 74,108  
Lougheed, Living: 104,134  
Lozensky, Steve: 75  
Lunz, Deloris Josephine: 73,107  
Lutz, Gary David: 113  
Lutz, George: 83,115  
Lutz, Lawrence Albert: 82,113  
Lutz, Living (1): 113,139  
Lutz, Living (2): 113,139  
Lutz, Living (3): 113  
Lutz, Living (4): 113,139  
Lutz, Living (5): 115,144  
Lutz, Robert: 115
- 
- M
- Maggio, Living (1): 98,132  
Maggio, Living (2): 132  
Maggio, Living (3): 132  
Magnuson, Living: 86,120  
Magsamen, Dawn: 87,123  
Maki, Brian: 118  
Makurat, Kay: 129  
Makurat, Mandy Lynn: 129  
Makurat, Ralph J.: 95,129  
Makurat, Scott: 129  
Malueg, Louise: 28,53  
Manske, Living: 95,129  
Markhardt, Lillian Wilhelmine: 57,88,89  
Markhardt, Max: 57,88  
Markwardt, Living: 133  
Markwardt, William Hal: 101,133  
Marquardt, Arthur 'Art' Benjamin: 31,65  
Marquardt, Elaine May: 65  
Marquardt, Ella Doris: 30  
Marquardt, Elsie Nellie: 31,65,66  
Marquardt, Emma H.: 30,64  
Marquardt, Lucy: 31  
Marquardt, Ruby: 31  
Marquardt, William: 17,29,30  
Marquardt, William August Jr.: 66,100,101  
Marquardt, William 'Willie' August Sr.: 32,66  
Martin, Betty Jane: 84,117  
Martin, Edith: 111,136,169,170  
Martin, Heather: 131,150  
Martins-Coe, Annie Laurie: 39,68  
Matyas, Living: 125  
McCabe, Wendy Lynn: 120  
McCoy, Living (1): 125,147  
McCoy, Living (2): 147  
McGonigle, ?: 134,151  
McIntyre, Dean Curtis: 104  
McIntyre, Living (1): 71,104  
McIntyre, Living (2): 104,134  
McIntyre, Living (3): 134  
McIntyre, Living (4): 134  
McIntyre, Neil: 71,104  
McKinney, Paul: 112  
McMahon, Mary Jane Gladys: 68,102  
McMullen, Florence M.: 94,128  
McNabb, Living (1): 107,136  
McNabb, Living (2): 136,151  
McNabb, Russell James: 107,136  
McPeak, Ercel Wayne: 64  
Meier, Amelia 'Emily Mollie': 19,39  
Meier, Caroline: 13,15  
Mergl, Living: 112,137,169,171  
Messing, Michael: 95  
Meuser, Thomas P.: 31  
Meyers, Living Jr.: 120  
Meyers, Living Sr.: 86,120  
Meyers, Roger: 86  
Meyers, Rudolph: 54,85,86  
Miller, August: 28,63  
Miller, Betty Mae: 63,97,98  
Miller, Edward Frederick: 63,97  
Miller, Living (1): 128,149  
Miller, Living (2): 149,153  
Miller, Living (3): 149  
Miller, Living Jr.: 149  
Miller, Living Sr.: 128,149  
Miller, Lorena Anna: 28,63,64  
Miller, Rodney: 128,149  
Miller, Terrence: 128,149  
Mische, Ella: 40,72  
Moffett, Harold A. Sr.: 79,167  
Moffett, Harold Elmo: 48,79,164,166,167  
Moffett, Living: 80,167  
Moffett, Loretta Louise: 84

# Index of Individuals

Montoya, Living (1): 127,148  
Montoya, Living (2): 148  
Moon, Kathy: 133  
Moore, Gretchen Miller: 91,125  
Moore, Living: 114  
Moran, Living (1): 98,132  
Moran, Living (2): 132  
Moran, Living (3): 132  
Morey, Kenneth Howard: 91,127  
Morey, Living: 91,127  
Morgan, Margarette Ruby: 74  
Morocho, ?: 136  
Morrinelli, Living (1): 139,152  
Morrinelli, Living (2): 152  
Morrinelli, Living (3): 152  
Moskaliuk, Living: 72,106  
Mueller, Edward: 51,177  
Mueller, Living (1): 88,123,124  
Mueller, Living (2): 124  
Mueller, Living (3): 124  
Mueller, Living (4): 124  
Mueller, Living (5): 124  
Mueller, Living (6): 124  
Mueller, Living (7): 124  
Muller, Cecelia 'Celia': 21,41,156,158  
Mundt, Dora: 57,89  
Mundt, Gustave: 57,89

---

## N

Natzel, ?: 13,20,155  
Natzel, Albert Theodore: 43,79,159,166  
Natzel, Charles 'Karl': 13,20,21,155,156  
Natzel, Clara Stella: 43,78,159,165,166  
Natzel, Elsie Florence: 42,77,159,164,165  
Natzel, Emma: 22,43,44,156,159,161  
Natzel, Frederick: 43,159  
Natzel, Henry: 22,157  
Natzel, Living: 79,112,166,169  
Natzel, Louise Elizabeth: 23,46,48,157,162,164  
Natzel, Minnie: 22,157  
Natzel, Nellie: 43,159  
Natzel, Otelia 'Tillie' A.: 43,79,159,166  
Natzel, Theodore Albert: 21,41,42,156,158,159  
Natzel, Tillie: 22,45,46,157,162  
Natzel, William: 22,157  
Nehls, Marguerite: 83,115  
Neiland, Barbara: 118  
Neiland, Bonny Jean: 118  
Neiland, Dau: 118  
Neiland, Delmar A.: 85,117,118  
Neiland, Larry: 118  
Neiland, Russell: 118  
Neiland, Susan: 118  
Neiland, Walter Herman: 85,117  
Nelmark, Living (1): 144,153  
Nelmark, Living (2): 153  
Nelmark, Living (3): 153

Nelmark, Living (4): 153  
Nelmark, Living (5): 153  
Neumann, Living: 116  
Nichols, Living: 98,132  
Nicholson, Jennie: 54  
Niemuth, Alvin Arthur: 89,125  
Niemuth, Darryl Roger: 89,125  
Niemuth, Living: 125,147  
Norris, Mintabelle: 89,124

---

## O

Odelius, Lois: 68,102,103  
Oestreich, Living: 88,123  
Olson, Joyce: 60,92  
Olson, Living (1): 114,141  
Olson, Living (2): 125  
Ormsby, Patricia: 98,131  
Ort, Living (1): 113,139  
Ort, Living (2): 139,152  
Ort, Living (3): 139,152  
Ort, Living (4): 139  
Ort, Living (5): 139  
Overman, Regina Marie: 61,95,96,97  
Overman, Reginald Ollie: 61,95  
Owen, Living (1): 134,151  
Owen, Living (2): 151

---

## P

Pagel, Amelia Marie: 63,97  
Paquin, Living: 72,106  
Parduhn, Wayne: 111,169  
Parine, Rosalinda Juliana: 39,71  
Parmeter, Ada: 59,91  
Parsons, William Allan: 39,71  
Pennington, Living: 127,148  
Peters, Living (1): 115,143  
Peters, Living (2): 143  
Petersen, Living (1): 74,108  
Petersen, Living (2): 108  
Peterson, Living: 116  
Peterson, Patti A.: 77,109  
Peterson, Vera Christina Maude: 28,60  
Pickard, William 'Bud' Arthur: 87,122  
Piechowski, Living (1): 115,143  
Piechowski, Living (2): 143  
Piechowski, Living (3): 143  
Pietri, Thelma Vernell: 61,95  
Pleasants, Agatha Neoma: 49,175  
Plotkin, Harold M.: 84  
Plowman, George 'Clifford' Sr.: 63,99  
Plowman, Living (1): 99,132  
Plowman, Living (10): 151  
Plowman, Living (2): 99,132  
Plowman, Living (3): 99,132,133  
Plowman, Living (4): 99,133  
Plowman, Living (5): 132  
Plowman, Living (6): 133

# Index of Individuals

Plowman, Living (7): 133  
Plowman, Living (8): 133,151  
Plowman, Living (9): 151  
Plowman, Living Jr. (1): 63,99  
Plowman, Living Jr. (2): 133  
Plowman, Living Sr.: 99,133  
Pourier, Delvina: 71,105  
Prahl, Harvey: 52  
Pratt, Living: 123,146  
Pratt, Marshall J.: 123,146  
Preuss, Alice M.: 59  
Preuss, Dorothy 'Dora' Emma: 59,91  
Preuss, Emil Walter: 28,58,59  
Preuss, Fred Henry: 59,91,92  
Preuss, Helen: 59  
Preuss, Julius Edward: 28,58  
Preuss, Leona A.: 59  
Preuss, Living (1): 92,127  
Preuss, Living (10): 148  
Preuss, Living (11): 148  
Preuss, Living (2): 92,127  
Preuss, Living (3): 92,127  
Preuss, Living (4): 127,148  
Preuss, Living (5): 127  
Preuss, Living (6): 127,148  
Preuss, Living (7): 127,148  
Preuss, Living (8): 127,148  
Preuss, Living (9): 127  
Pubanz, Adeline Alizaja: 61,93  
Pytko, Helen Beatrice: 43,79,159,166

---

## R

Rabideau, Andrew: 146  
Rabideau, Son: 117,146  
Radzewon, Living: 103  
Range, Erwin: 48,175  
Rasmussen, Elizabeth Ada: 59,91,92  
Rasmussen, Palmer: 59,91  
Rauschert, Charles Rudolph: 21,41,156,158  
Rauschert, Louisa: 21,41,42,156,158,159  
Rawe, Carl LeRoy: 77,109,110  
Rawe, Carl Lester: 41,76,77  
Rawe, George: 41,76  
Rawe, Living (1): 77,109  
Rawe, Living (2): 110  
Reavis, Brenda: 77,109,110  
Reeck, Glen E.: 86,120  
Reeck, Jeff: 120  
Reeck, Jon: 120  
Reeck, Tammy: 120  
Reedy, Sharon: 87,121  
Reimer, Lisa: 87,123  
Reineke, Martha: 106,135  
Reis, Dorothy: 84  
Rommel, Living: 99,133  
Rhodes, Living: 115  
Rice, Living: 124,146

Richlinski, Edward: 78,111,165,168,169  
Richlinski, Karen Lynn: 111,136,137,169,170  
Riedle, Gladys Minnie: 84,117  
Riste, Kateri Lee: 146  
Ritchie, Alice Louise: 103,133  
Roberts, Living (1): 83,115,116  
Roberts, Living (2): 85,120  
Roberts, Living (3): 116,144  
Roberts, Living (4): 116,144  
Roberts, Living (5): 116,144  
Roberts, Living (6): 116,144  
Roberts, Living (7): 144  
Roberts, Living (8): 144  
Robinson, Carol Jane: 127,148  
Rogerson, Living: 105,135  
Rohr, Timothy Joseph: 122  
Romond, Living: 100  
Ronnei, ?: 73,107  
Ronnei, Living (1): 107  
Ronnei, Living (2): 107  
Ronnei, Living (3): 107  
Ronnei, Percy Oren: 73,107  
Rose, Charlotte Justine: 17,36  
Rosen, Carl Lyle: 66,99,100  
Rosen, Living (1): 100  
Rosen, Living (2): 100  
Rosenow, Brynn: 150  
Rosenow, Kensington: 150  
Rosenow, Living (1): 99,132  
Rosenow, Living (2): 132,150  
Rosenow, Living (3): 132  
Rosenow, Living (4): 132,150  
Rosenow, Living (5): 150  
Rosenow, Living (6): 150  
Rosenow, Living Jr.: 132,150  
Rosenow, Urban: 150  
Rowlett, Harold Albert: 79,166  
Rowlett, Oscar: 43,79,159,166  
Ruetz, Caroline: 54,86  
Rumlow, Living: 95,129  
Runke, Dona Mae: 87,94,123,128  
Rzeszowska, Living: 105,134

---

## S

Saritson, Living: 135  
Schaal, Gary M.: 87,122  
Schaal, Katherine: 122  
Schaal, Living: 122  
Schaal, Michael: 122  
Schaal, Randall: 122  
Schewe, Carl: 13,23,173  
Schewe, Emma: 24,48,174,175  
Schewe, Gustav Theodore: 13,23,24,173,174  
Schewe, Johann: 24,174  
Schewe, Martha: 24,174  
Schewe, Matthew: 24,174  
Schewe, Minnie: 24,50,174,176,177

# Index of Individuals

- Schewe, Pauline J.: 24,49,174,175,176  
Schewe, Wilhelm: 24,174  
Schmidt, Dorothy: 92,127  
Schmidt, Living: 99,132  
Schmitz, Adeline E.: 85,117,118  
Schmitz, Connie: 117  
Schmitz, Donald Alfred: 84  
Schmitz, Herbert: 54,84  
Schmitz, James: 85  
Schmitz, John M.: 54,84,85  
Schmitz, Karla: 120  
Schmitz, Kebin Jay: 120  
Schmitz, Kenneth Lee: 120  
Schmitz, Kurt Paul: 119  
Schmitz, Linda: 117  
Schmitz, Living (1): 85  
Schmitz, Living (2): 85,120  
Schmitz, Living (3): 120  
Schmitz, Living (4): 120  
Schmitz, Living (5): 120  
Schmitz, Living (6): 120  
Schmitz, Lois Jean: 85  
Schmitz, Marilyn Ruth: 84  
Schmitz, Muriel Gladys: 85,118  
Schmitz, Raymond Carl: 54,85  
Schmitz, Richard E.: 85,118,119  
Schmitz, Robert Earl: 84,117  
Schmitz, Valerie: 117  
Schmitz, Virginia: 117  
Schneff, Dorothy Mae: 67,101  
Schneff, Living: 101  
Schneff, Robert W. O.: 67,101  
Schneff, William: 101  
Schneff, William Arthur: 33,66,67  
Schroeder, T. Mae: 128  
Schroeder, Vergil E.: 93,128  
Schroeder, Wilbur: 93,128  
Schubert, Judith: 129,150  
Schuhrke, Dewey W.: 74,108  
Schuhrke, Vivian Joyce: 74,108  
Schulke, Living (1): 113,138  
Schulke, Living (2): 138  
Schulke, Living (3): 138  
Schwalenberg, Living: 82,114  
Schwarz, Living: 92,127  
Schwarz, Robert C.: 92,127  
Schwister, Cheryl: 121  
Schwister, Connie: 121  
Schwister, Donna: 121  
Schwister, Joseph: 121  
Schwister, Lisa: 121  
Schwister, Robert Jr.: 121  
Schwister, Robert Sr.: 87,121  
Schwitti, Deena: 118  
Seabrook, Living: 72,106  
Seabrook, Samuel Roy: 72,106  
Seidelmann, August: 23,46,47,48,157,162,163,164  
Seidelmann, August John: 48,80,164,167  
Seidelmann, Barbara Marie: 80,112,167,169,170  
Seidelmann, Elizabeth: 112,138,170,172  
Seidelmann, Gertrude: 48,79,164,166,167  
Seidelmann, James H.: 80,112,167,170  
Seidelmann, Jennifer Anne: 112,137,138,170,171  
Seidelmann, John: 23,46,157,162  
Senft, ???: 36  
Shattuck, ?: 108  
Shore, Living (1): 107,135,136  
Shore, Living (2): 107,135  
Sickler, ?: 108  
Sickler, Living: 108  
Siebers, Living: 143  
Sighn, Living: 127,148  
Sims, Curt: 120  
Skinkis, Living (1): 113,140  
Skinkis, Living (10): 141  
Skinkis, Living (11): 141  
Skinkis, Living (2): 114,141  
Skinkis, Living (3): 140  
Skinkis, Living (4): 140  
Skinkis, Living (5): 140  
Skinkis, Living (6): 140  
Skinkis, Living (7): 140  
Skinkis, Living (8): 141  
Skinkis, Living (9): 141  
Skoniecznyi, Living: 110,168  
Skoniecznyi, Richard Joseph: 110,168  
Slawson, Frederic T.: 78,165  
Slawson, Harriet: 77,165  
Slawson, Harry H.: 42,77,159,164,165  
Slawson, James Edward: 110,168  
Slawson, Jean Lillian: 78,110,165,167,168  
Slawson, Mable: 78,165  
Slawson, Russell Leroy: 78,110,165,168  
Slawson, Viola Vivian: 78,111,165,168,169  
Slawson, William: 42,77,159,164  
Smart, Allister Humphrey: 39,71  
Smart, Herbert Johnson: 39,71  
Smart, Living (1): 72,106  
Smart, Living (2): 106  
Smart, Living (3): 106  
Smart, Living (4): 106  
Smead, Living: 102,133  
Smith, Irene Janet: 97,130  
Smoczynski, Living (1): 79,112,166,169  
Smoczynski, Living (2): 112,169  
Sparman, Emilia Ottelia: 19,37  
Spaulding, Melissa: 121  
Spaulding, Raymond: 121  
Spaulding, Ronald G.: 87,121  
Spelevoy, Mary: 75,108  
St. John, Karen Francis: 87  
Steck, Berla B.: 91,125,126,127

# Index of Individuals

Steck, Beryl: 91,125  
Stenson, Living: 95,129  
Stinefelt, Living: 128,149  
Stoflet, Rickey: 91  
Stokalko, Living: 103  
Stokalko, Raymond: 103  
Stone, Ruth: 77,109  
Strahl, Johanna: 31,65  
Strand, Living (1): 106,135  
Strand, Living (2): 106,135  
Strebe, Elmira: 91,127  
Striefel, Living (1): 76,108,109  
Striefel, Living (2): 109  
Striefel, Living (3): 109  
Striefel, Living (4): 109  
Sullivan, Jeanette: 145  
Sullivan, Living (1): 116,145  
Sullivan, Living (2): 145  
Susini, Anna: 148  
Susini, Lionel: 127,148  
Susini, Zach: 148  
Swanson, Living (1): 104,134  
Swanson, Living (2): 104,134  
Syrynk, Adeline Elizabeth: 103,133  
Syverson, Marion Elizabeth: 48,80,164,167  
Szawala, ?: 22,157

---

## T

Tapper, Living: 134  
Tenant, Catherine Alvira: 27,51  
Terres, Eugene 'Gene': 125,147  
Terres, Living (1): 125,147  
Terres, Living (2): 147  
Tews, Amanda: 85,117  
Thayer, Living (1): 116,144  
Thayer, Living (2): 144,152  
Thayer, Living (3): 144  
Thayer, Living (4): 144  
Thayer, Living (5): 152  
Thibodeaux, Living (1): 114,142  
Thibodeaux, Living (2): 142  
Thibodeaux, Living (3): 142  
Thibodeaux, Living (4): 142  
Thielke, Darlene C.: 88,124  
Thielke, Delores: 88  
Thielke, Frank: 56,88  
Thielke, Living (1): 88  
Thielke, Living (2): 88  
Thielke, Ronald: 88  
Thompson, Beulah Irene: 71,103  
Thompson, Living: 106,135  
Thurston, Cora Belle: 28,60  
Timmons, Edward Patrick: 106,135  
Timmons, Living (1): 106,135  
Timmons, Living (2): 135  
Tohm, Caroline Wilhelmine: 13,15,16,17  
Tohm, Christoph: 13,15  
Tomlinson, Living (1): 75,108  
Tomlinson, Living (2): 108  
Tomlinson, Living (3): 108  
Tomlinson, Living (4): 108  
Tomlinson, Living (5): 108  
Tomlinson, Roy James: 75,108  
Trapp, Living: 103  
Truttschell, Living: 142  
Truttschell, Randy: 114,142  
Tyler, ?: 43,78,159,165  
Tyre, Annette: 111,137,169,171  
Tyre, Leroy Peter: 43,78,159,165,166  
Tyre, Living (1): 78,166  
Tyre, Living (2): 79,166  
Tyre, Living (3): 112,137,169,171  
Tyre, Paris Sylvester: 43,78,159,165  
Tyre, Theodore Robert: 78,111,112,166,169  
Tyre, Yvonne: 111,169  
Tyson, Living (1): 95,129  
Tyson, Living (2): 129,149  
Tyson, Living (3): 129  
Tyson, Living (4): 149

---

## V

van Boogard, Kathy Ann: 120  
Van de Hey, Janice Mary: 120  
Van Over, ?: 128,149  
Van Over, Living: 128,149  
Van Straten, Cynthia Marie: 116  
Van Straten, Donald: 83,116  
Van Straten, Living (1): 116,144  
Van Straten, Living (10): 145  
Van Straten, Living (2): 116,144  
Van Straten, Living (3): 116,145  
Van Straten, Living (4): 116,145  
Van Straten, Living (5): 116,145  
Van Straten, Living (6): 144,153  
Van Straten, Living (7): 144  
Van Straten, Living (8): 144  
Van Straten, Living (9): 145  
Vanderhoff, Living: 124,146  
Vanderhoff, Verl 'Van': 124,146  
Vanpelt, Jill K.: 101,133  
Varallo, Dominick: 137,171  
Varallo, Frank Dominick Jr.: 80,112,167,169,170  
Varallo, Jay Scott: 112,137,170,171  
Varallo, Lori: 112,170  
Variny, ?: 50,80,177,178  
Variny, Charles: 50,80,81,177,178  
Variny, Sandra Jean: 81,178  
Vassar, ?: 108  
Vechi, Carmela: 92,127  
Velie, Geneva Rose: 28,60,61  
Velie, Walter: 28,60  
Vesely, ?: 118,146  
Vesely, Calvin Lee: 146  
Vines, Living: 98,132

# Index of Individuals

- Vokal, Katherine: 74,108  
Volkman, Living (1): 115,144  
Volkman, Living (2): 144  
Volkman, Living (3): 144,152  
Volkman, Living (4): 144,152  
Volkman, Living (5): 144  
Voss, Christine Albertine: 13,24,27  
Voss, Martin Christlieb: 13,24
- 
- W
- Wachal, Living (1): 114,142,143  
Wachal, Living (2): 143  
Wagner, Lee Allen Paul: 132  
Wagner, Living (1): 98,132  
Wagner, Living (2): 132  
Wagner, Living (3): 132  
Walker, Kim: 104  
Wannop, Living (1): 103,133  
Wannop, Living (2): 133  
Wannop, Living (3): 133  
Wannop, Living (4): 133  
Wannop, Rodney Howard William: 103,133  
Warren, Gerald Edward: 50,80,176,177  
Warren, Living: 80,177  
Wastrack, Living (1): 83,115  
Wastrack, Living (2): 115  
Wastrack, Living (3): 115  
Weatherly, Living (1): 97,130  
Weatherly, Living (2): 130  
Weatherly, Living (3): 130  
Weatherly, Ralph Bernard: 97,130  
Webb, Living: 131  
Weber, Christina 'Tina' Matilda: 54,86  
Weber, Clara Ida: 54,84  
Weber, Doris: 56  
Weber, Dorothy P.: 54  
Weber, Edna R.: 54,85,86  
Weber, Elmer: 56  
Weber, Helen Clara: 54,85  
Weber, Herman: 28,53,54  
Weber, Julius: 28,53  
Weber, Living (1): 87,123  
Weber, Living (2): 88,123,124  
Weber, Martha Meta: 54,83,84  
Weber, Stanley: 88  
Weber, Violet A.: 56,88  
Weidenbach, ?: 107,136  
Westman, Jennie: 75  
Wettengal, Living (1): 113,140  
Wettengal, Living (2): 140  
Wettengal, Living (3): 140  
Wever, Living: 124,146  
White, Living (1): 149,153  
White, Living (2): 153  
Whittington, Seborah 'Sabie': 28,61  
Wicks, Marietta Ruth: 78,111,166,169  
Wiese, Living (1): 115,143  
Wiese, Living (2): 143  
Wiese, Living (3): 144  
Wildhagen, Living (1): 63,99  
Wildhagen, Living (2): 99  
Wildhagen, Living (3): 99  
Wildhagen, Living (4): 99  
Wildhagen, Living (5): 99  
Wilhelm, Kim: 135  
Wilken, James: 127,148  
Wilken, Living (1): 127,148  
Wilken, Living (2): 148  
Wilken, Living (3): 148  
Wilkinson, Living (1): 72,106,107  
Wilkinson, Living (2): 107,135,136  
Wilkinson, Living (3): 107,136  
Wilkinson, Living (4): 136  
Wilkinson, Living (5): 136  
Wilkinson, Living (6): 136  
Wilkinson, Living (7): 136  
Willkinson, George William: 72,106  
Wilson, Gail June: 118  
Wingert, Living: 106,135  
Winkler, Carl Walter: 71,104  
Winkler, Living (1): 71,105,106  
Winkler, Living (2): 104,134  
Winkler, Living (3): 105,134  
Winkler, Living (4): 105,134  
Winkler, Living (5): 134,151  
Winkler, Living (6): 134,151  
Winkler, Living (7): 151  
Winkler, Lois 'Elaine': 71,105  
Winkler, Rudolf Gottlieb: 39,71  
Winkler, Walter: 39,71  
Winkler-Harris, Living: 106,135  
Winters, ?: 61,95  
Winters, Barbra L.: 95  
Winters, Bonnie Jean: 95,129  
Winters, Deborah: 95  
Winters, Diane: 95,129  
Winters, John H.: 95  
Winters, John Herman: 61,95  
Winters, Rosemary: 95  
Winters, Shirley Ann: 95  
Witt, Ursula Marrienne: 107,135  
Wolff, Alexandria: 150  
Wolff, Brian: 129  
Wolff, Chris W.: 129,150  
Wolff, Heather: 150  
Wolff, Julian: 150  
Wolff, Keith: 95,129  
Wolff, Peggy: 129  
Wolff, Tim: 129  
Wolff, Timothy: 150  
Wolff, Travis: 150  
Wood, ?: 94  
Woolbrandt, Living: 79,166
-

# Index of Individuals

Worthington, Claudine Alice: 61,93,94  
Wurster, Anna Catherine: 44,161  
Wuske, Edward William: 82  
Wuske, Johann: 52,82  
Wuske, Living (1): 83,115  
Wuske, Living (2): 83,115  
Wuske, William Fredrich: 52,82  
Wyrobeck, Cloe: 150  
Wyrobeck, Tony: 132,150

---

## Y

---

Young, Harvey Otis: 105,134  
Young, Living (1): 135  
Young, Living (2): 135  
Young, Randy James: 105,134,135

---

## Z

---

Zalewski, Jane: 90,125  
Zarling, Living: 128  
Zielke, August: 19,37  
Zietlow, Living (1): 116,144  
Zietlow, Living (2): 144,152  
Zietlow, Living (3): 144  
Zilke, Adolph William: 39,72  
Zilke, Alvina Otilia: 19,37,38,39  
Zilkie, Annetta Viola: 39,72  
Zogg, Living: 109,136  
Zuhlke, August: 31  
Zuhlke, Herman: 31  
Zweidinger, Living: 99,132,133