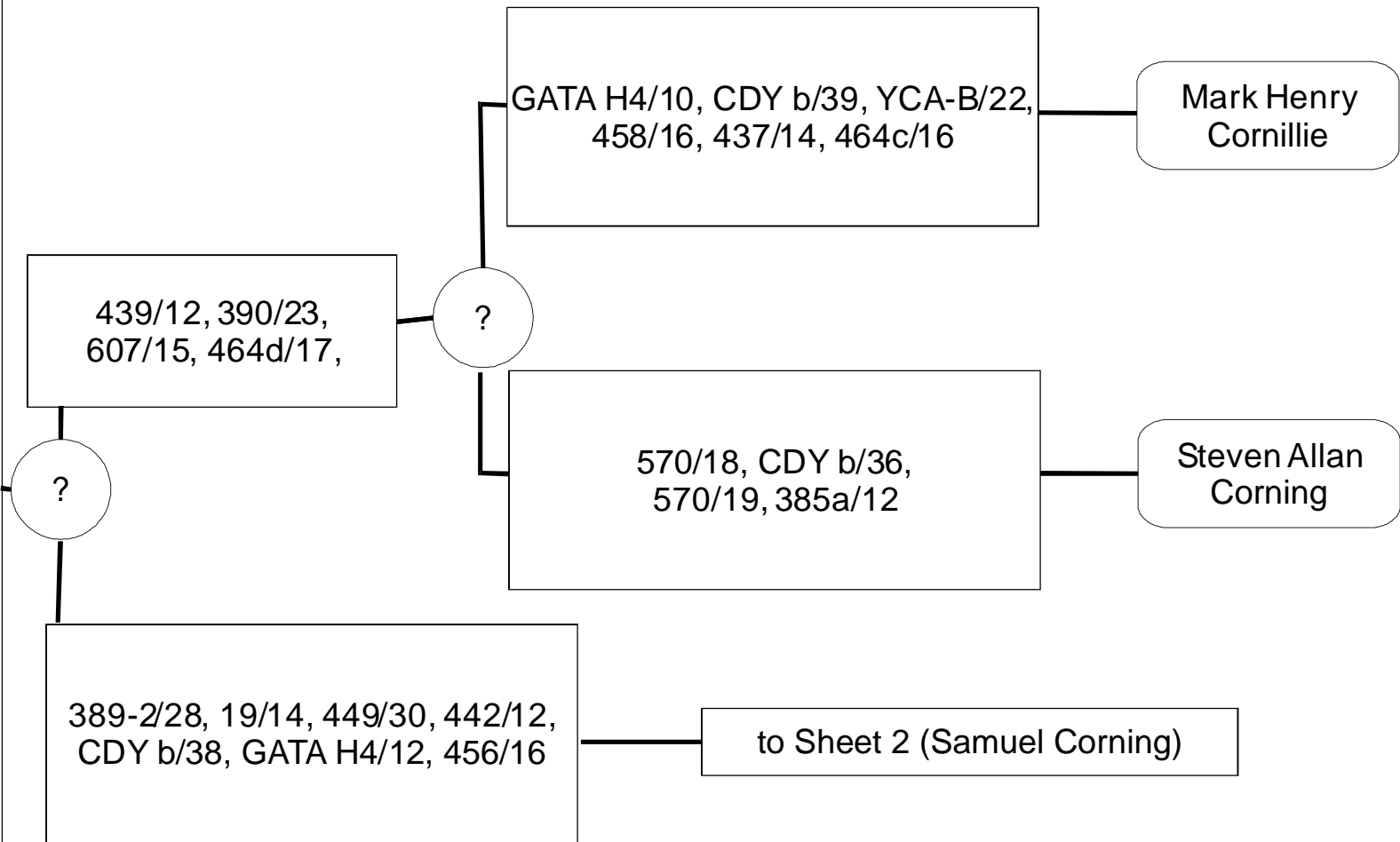


DYS#/Value
390/22
19/15
391/11
385a/11
439/11
389-2/29
458/18
437/15
449/29
464c/17
464d/18
GATA H4/11
YCA b/23
456/15
607/16
576/17
570/17
CDY b/37
442/11



Y-Chromosome DNA Mutations for those tested
in the Corning Surname Project.

A. E. Krause
8 Nov. 2009

DYS#/Value

